

Parts Catalog

Atlas

Models: Diesel, Gasoline, & LPG



PREFACE

Thank you for your purchase of the new industry standard for sweepers. PowerBoss® takes great pride in offering the most dependable, reliable and best value in industrial power sweepers and sweeper / scrubbers. We set the standard.

Our Customer Service Department would like to hear from you. If you see any errors, omissions or something that needs clarification in this Parts Catalog please let us know. We are working hard towards continually improving our processes to bring you the best you deserve. Please copy the form below, fill out and comment on how you found our catalog.

Thank you!
The PowerBoss Team

Name: _____

Title: _____

Company Name: _____

Address: _____

Country: _____

Type of equipment or model number: _____

Comments: _____

Please return to:
Customer Service Manager
PowerBoss®, Minuteman International, Inc.
14N845 U.S. Route 20
Pingree Grove, Illinois 60140 USA

Phone: (800) 323-9420
Email: tech@powerboss.com

This is the Parts Catalog for the PowerBoss® Atlas Sweeper machine.

This catalog covers all Standard Atlas machine variations beginning February 2015.

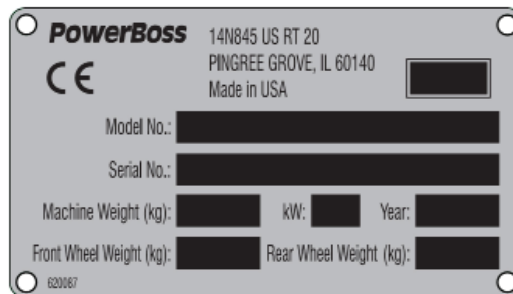
We believe this machine will provide excellent service for many years. Best results will be obtained if:

- The machine is operated with reasonable care.
- The machine is maintained regularly per the maintenance schedule provided in the User Manual.
- The machine is maintained with PowerBoss® supplied or equivalent parts.

All right side and left side references to the machine (except for engine) are determined by facing the direction of forward travel. The front of the engine or engine fan faces the rear of the machine. Some hardware considered to be common or locally available has been omitted from the parts section to make this manual clear. Be sure to use equivalent hardware when replacement becomes necessary.

The Model and Serial Number of your machine is shown on the I.D. name plate. This information is needed when contacting Technical Support or when ordering parts. The I.D. plate is mounted on the left side wall of the operator seating area.

Example ID Plate:



Parts may be ordered by phone, fax or e-mail from any PowerBoss® parts and service center. Before ordering parts or supplies, be sure to have your machine model number and serial number handy. For your convenience Fill out the data block below for future reference.

MACHINE DATA
Fill out at installation

Model Number: _____

Serial Number: _____

Engine Serial Number: _____

Sales Rep.: _____ Date of Install: _____

All information contained in this catalog is current at the time of printing. Minuteman International, Inc. reserves the right to make changes at any time without notice.

PowerBoss®, Minuteman International, Inc., Copyright 2011-2015, Printed in USA

Atlas Sweeper #4100053 Rev. D 03/20

PowerBoss® Copyright 2011-2015

TECHNICAL SPECIFICATIONS

Model Atlas Sweeper

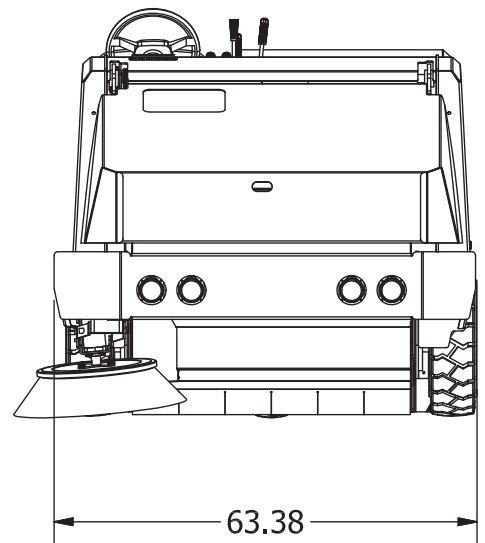
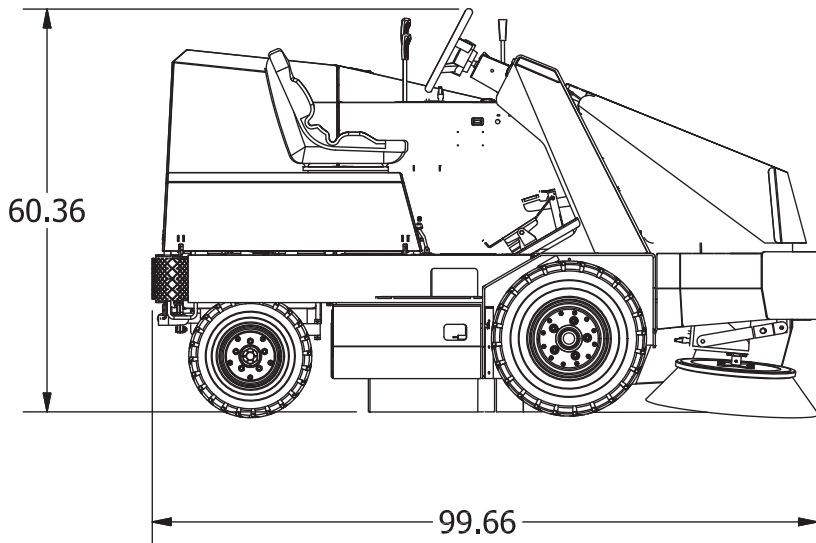
Model No. PB620DSL, PB620GAS, PB620LP, PB620DSL-DSB, PB620GAS-DSB, PB620LP-DSB

GENERAL MACHINE SPECIFICATIONS

Length: 99.75 in
 Width without side broom 63.38 in
 Rear frame width: 60.00 in
 Height to steering wheel 60.38 in
 Height w/ overhead guard 82.25 in
 Height wo/ overhead guard 60.50 in
 Wheelbase: 47.75 in
 Aisle width U-turn: 10.0 ft (120 in)
 (contact clearance = 113 in)
 Empty vehicle weight 3500 lbs
 Gross vehicle weight 4700 lbs
 Sound level target: 83 dBa
 Maximum forward speed: 9.8 mph
 Maximum reverse speed: 3 mph
 Maximum climb angle empty hopper: . . . 14 degrees
 (Maximum climb angle)

SWEEPING SPECIFICATIONS

Main broom diameter: 14.0 in
 Main broom length: 48.0 in
 Side broom diameter: 26.0 in
 Sweeping path w/ side broom 62.75 in
 Optimum main broom pattern width: . . . 2.0 in – 2.5 in
 Hopper weight capacity: 1200 lb
 Hopper volumetric capacity
 (less filter box): 16.0 cu ft
 Hopper dump height: to clear 60 in
 (approx 62 in)
 Min. ceiling height
 for 60" hopper dump: 8 ft – 6 in
 Filter type: Treated synthetic
 panel filter
 Filter area: 95 sq ft



dimensions shown in inches

TABLE OF CONTENTS

PREFACE	2
TECHNICAL SPECIFICATIONS	4
GENERAL MACHINE SPECIFICATIONS	4
SWEEPING SPECIFICATIONS	4
NOTES	9
PARTS BREAKDOWN	10
FRAME GROUP 1 (600680)	10
FRAME GROUP 2 (600680)	12
FRAME GROUP SKIRT COMPONENTS (600680-1)	14
CLAMP - HOSE GROUP 1 (600860)	16
CLAMP - HOSE GROUP 2 (600860)	18
BRAKE GROUP (600688)	20
FRONT WHEEL GROUP (600687)	22
STEERING COLUMN GROUP (600682-1)	24
STEERING FORK GROUP (600690-1)	26
REAR WHEEL GROUP (600689)	28
INSTRUMENT PANEL GROUP - DIESEL (600611)	30
INSTRUMENT PANEL GROUP - GAS (600636)	32
INSTRUMENT PANEL GROUP - LPG (600700)	34
ELECTRICAL GROUP - DIESEL (600612)	36
DIESEL CONTROL BOX (748769)	38
ELECTRICAL GROUP (600880)	40
DIRECTIONAL CONTROL GROUP (600681)	42
PUMP LINKAGE GROUP (600608)	44
SPEED RESTRICTION GROUP - 1 (600684)	46
SPEED RESTRICTION GROUP - 2 (600684)	48
MAIN BROOM LIFT GROUP (600660)	50
MAIN BROOM LIFT GROUP (600632-1)	52
IDLER ARM GROUP (600631)	54
MAIN BROOM DOOR GROUP (600640)	56
SIDE BROOM LIFT GROUP (600665)	58
SIDE BROOM GROUP W/ SHROUD (620732)	60
HOPPER LIFT GROUP (600691-1)	62
HOPPER SAFETY ARM GROUP (600686)	64
DUAL FILTER HOPPER SKIRTS, SEALS-SSB (620291)	66
HOPPER ASSEMBLY GROUP (600623)	68

HOPPER DUMP DOOR GROUP (600622-1).....	70
HOPPER COVER GROUP (600625)	72
DUAL FILTER/SHAKER HOPPER GROUP (600702).....	74
BUMPER GROUP (600626)	76
IMPELLER GROUP (600790-1)	78
HYDRAULIC RESERVOIR GROUP (600683-1)	80
OIL COOLER GROUP (600609-1)	82
HYDRAULIC PUMP GROUP (600606-1)	84
HYDRAULIC VALVE GROUP (600685-1).....	86
MAIN BROOM INTERLOCK GROUP (600644-1)	88
COVER FRAME GROUP (600780).....	90
TOP COVER GROUP (600760)	92
SIDE DOOR GROUP (600750).....	94
ENGINE COVER GROUP (600661)	96
SEAT AND PUMP COVER GROUP (600610)	98
HYDRAULIC HOSE GROUP (600850-1)	100
RADIATOR GROUP - DIESEL, GAS, LPG (600615).....	102
RADIATOR OVERFLOW GROUP (600602).....	104
BATTERY GROUP (600770)	106
FUEL TANK GROUP - DIESEL (600618).....	108
FUEL TANK GROUP - GAS (600634).....	110
LPG TANK GROUP (600710)	112
ENGINE MOUNT GROUP - DIESEL (600657).....	114
ENGINE MOUNT GROUP - GAS (600658)	116
ENGINE MOUNT GROUP - LPG (600659)	118
AIR CLEANER GROUP - DIESEL (600614).....	120
AIR CLEANER GROUP - GAS (600629)	122
AIR CLEANER GROUP - LPG (600605)	124
THROTTLE SOLENOID GROUP - DIESEL (600628).....	126
FUEL COMPONENT GROUP - GAS (600635)	128
EXHAUST GROUP - DIESEL (600671)	130
SINGLE EXHAUST GROUP GAS & LPG (620698).....	132
DECAL GROUP - DIESEL (600643).....	134
DECAL GROUP - GAS (600641).....	136
DECAL GROUP - LPG (600642).....	138
DUAL SIDE BROOM (DSB)	140
DSB LH SIDE BROOM GROUP W/ SHROUD DSB (620733)	140
DSB LH SIDE LIFT GROUP (600653-1).....	142

DSB HOPPER SKIRTS SEALS GROUP (600701)	144
DSB SWITCH GROUP (600655).....	146
DSB BUMPER GROUP (600645)	148
DSB IMPELLER GROUP (600656-1)	150
DSB HYDRAULIC HOSE GROUP (600652-1).....	152
DSB HOSE CLAMP GROUP 1 (600647)	154
DSB HOSE CLAMP GROUP 2 (600649).....	156
OPTIONS - PARTS BREAKDOWN	158
OPTION - VACUUMIZED SIDE BROOM GROUP - PAGE 1 (600003)	158
OPTION - VACUUMIZED SIDE BROOM GROUP - PAGE 2 (600003)	160
OPTION - DUAL VACUUMIZED SIDE BROOM GROUP - PAGE 1 (600004).....	162
OPTION - DUAL VACUUMIZED SIDE BROOM GROUP - PAGE 2 (600004).....	164
OPTION - SUSPENSION SEAT GROUP (600005).....	166
OPTION - BACKUP ALARM GROUP (600006).....	168
OPTION - SAFETY LIGHT, AMBER LIGHT OHG GROUP (620258).....	170
OPTION - SAFETY LIGHT, AMBER LIGHT ENG CVR GROUP (600010).....	172
OPTION - CLOGGED FILTER INDICATOR GROUP (600013)	174
OPTION - FILTER SHAKER TIMER GROUP (600014)	176
OPTION - TIRE, ALL SOFT SHOE SOLID GROUP (600015)	178
OPTION - TIRE, FRONT SOFT SHOE SOLID, REAR PNEUMATIC GROUP (600016)	180
OPTION - TIRE, ALL NON-MARKING SOLID GROUP (600017).....	182
OPTION - OVERHEAD GUARD (OHG) GROUP (600019).....	184
OPTION - AUTO DIESEL SHUTDOWN GROUP (600020).....	186
OPTION - VACUUM WAND GROUP - PAGE 1 (600021)	188
OPTION - VACUUM WAND GROUP - PAGE 2 (600021)	190
OPTION - SEAT BELT, SUSPENSION SEAT GROUP (600022)	192
OPTION - LOW LPG INDICATOR GROUP (600023)	194
OPTION - SIDE BROOM LIGHT GROUP (600025)	196
OPTION - BRAKE LIGHTS GROUP (600027).....	198
OPTION - FIRE EXTINGUISHER GROUP (600028)	200
OPTION - HEAVY DUTY AIR CLEANER GROUP - DIESEL (600029)	202
OPTION - HEAVY DUTY AIR CLEANER GROUP - GAS (600038)	204
OPTION - HEAVY DUTY AIR CLEANER GROUP - LPG (600039)	206
OPTION - SEAT BELT, STANDARD SEAT GROUP (600030)	208
OPTION- MERV FILTER, ATLAS (600046)	210
OPTION- MRV FLTR, USED W/HVY DTY AIR CLNR (600047).....	212
OPTION - ATLAS DUST SUPPRESSION, DUAL (620737)	214
OPTION- ATLAS DUST SUPPRESSION, SINGLE (620739).....	216

OPTION - STANDARD HOPPER WITH RHINO LINING GROUP (600703) 218

OPTION - DUAL SIDE BROOM HOPPER WITH RHINO LINING GROUP (600704)..... 220

LAYOUTS - ELECTRICAL/HYDRAULIC 222

ATLAS ELECTRICAL SCHEMATIC LAYOUT - DIESEL..... 222

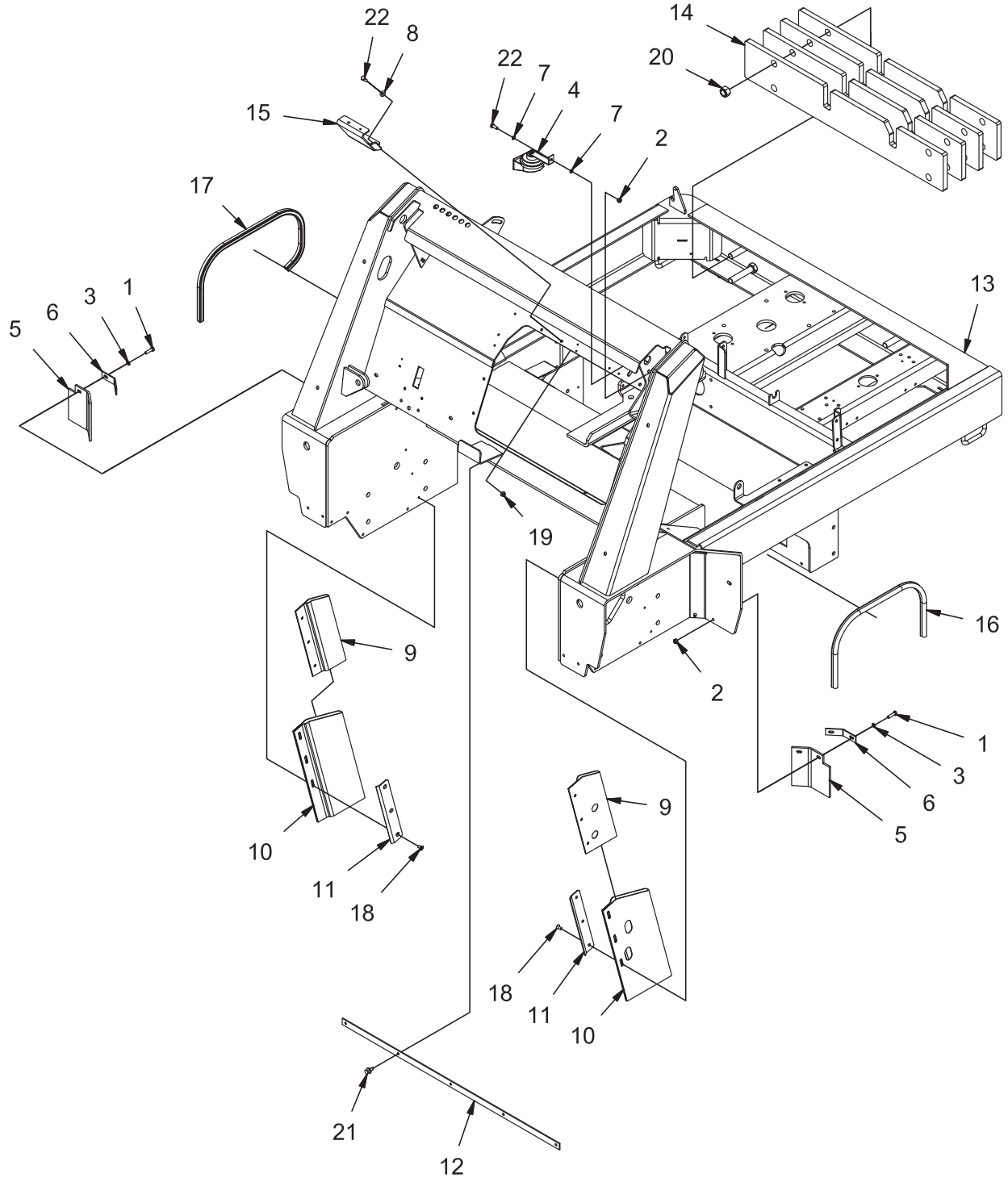
ATLAS ELECTRICAL SCHEMATIC LAYOUT - GAS & LPG 225

ATLAS HYDRAULIC SYSTEM LAYOUT 228

ATLAS HYDRAULIC SYSTEM LAYOUT WITH DUAL SIDE BROOM..... 229

NOTES

PARTS BREAKDOWN
FRAME GROUP 1 (600680)

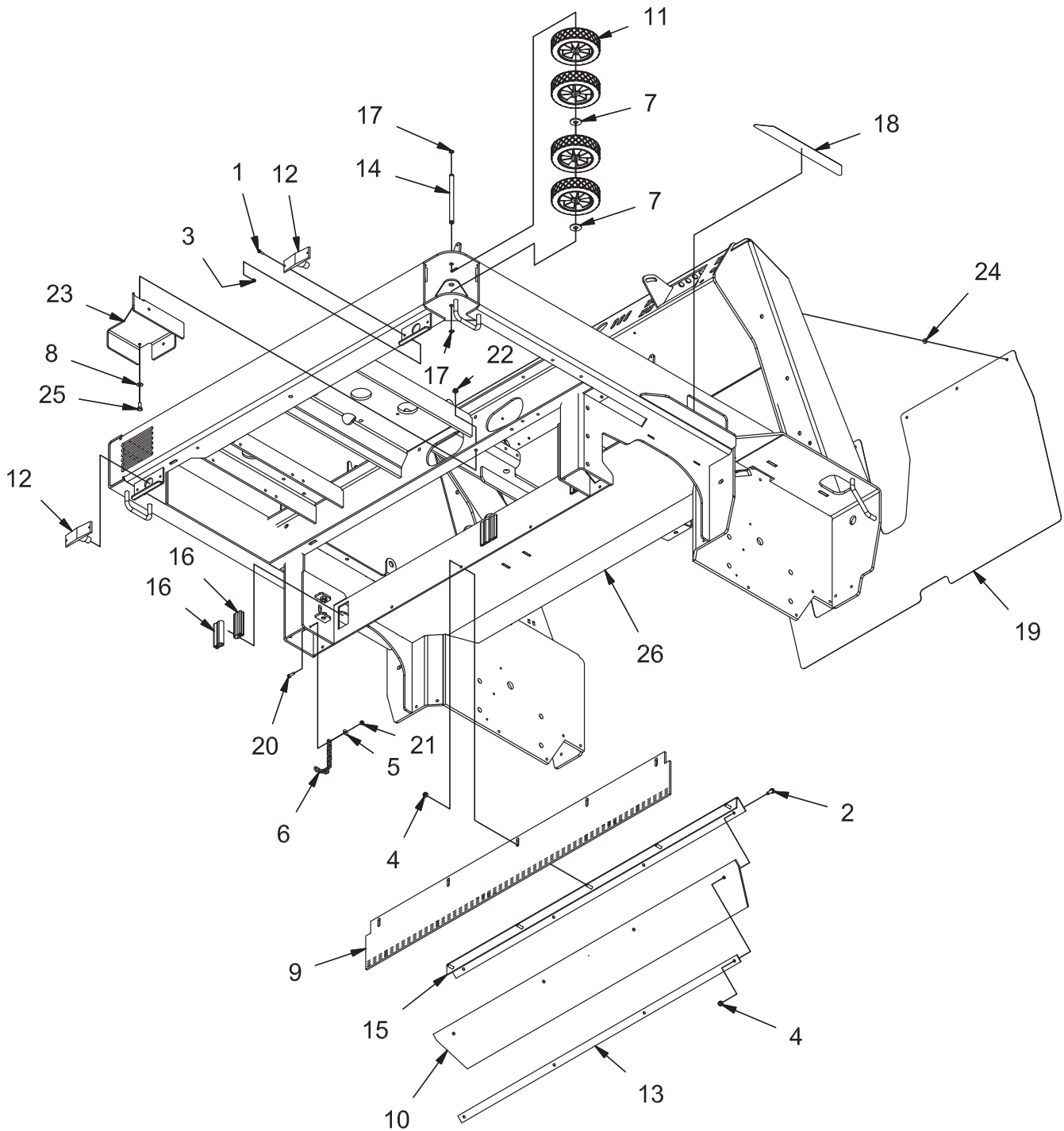


REV D

FRAME GROUP 1 (600680)

Parts List - 600680			
ITEM	PART NUMBER	QTY	DESCRIPTION
1	11038254	4	BOLT, M8-125 X 30 HH
2	12040259	5	NUT, M8-1.25 ESN SS
3	12310041	4	WASHER, M8
4	3300379	1	HORN, 12V
4a	704202	1	HORN BRACKET
5	3307286	2	FLAP, BROOM CHAMBER CORNER
6	3307287	2	STRAP, BROOM CORNER FLAP
7	3400273	2	WASHER, STAR, .31, INT. ZP
8	3400384	2	WASHER, 5/16 BELLEVILLE
9	600221	2	SKIRT, SUPPORT
10	600223	2	SKIRT, WHEEL WELL
11	600251	2	RETAINER, WHEEL WELL SKIRT
12	600288	1	RETAINER, BC TOP SEAL
13	600412-1	1	WELDMENT, FRAME
14	600511	4	COUNTERWEIGHT
15	600821	1	CHANNEL, CLAMP STAND
16	600901	1	SEAL, BROOM DOOR, LH
17	600902	1	SEAL, BROOM DOOR, RH
18	600916	6	SCREW, M8-1.25 X 16 FHMS SS
19	600934	2	NUT, M8-1.25 FLNG
20	600935	4	NUT, M20-2.50 ESN
21	600965	5	FASTENER, PRESS-IN
22	717024	3	BOLT, M8-1.25 X 20 HH
-	600680-1	1	FRAME GROUP SKIRT COMPONENTS

FRAME GROUP 2 (600680)

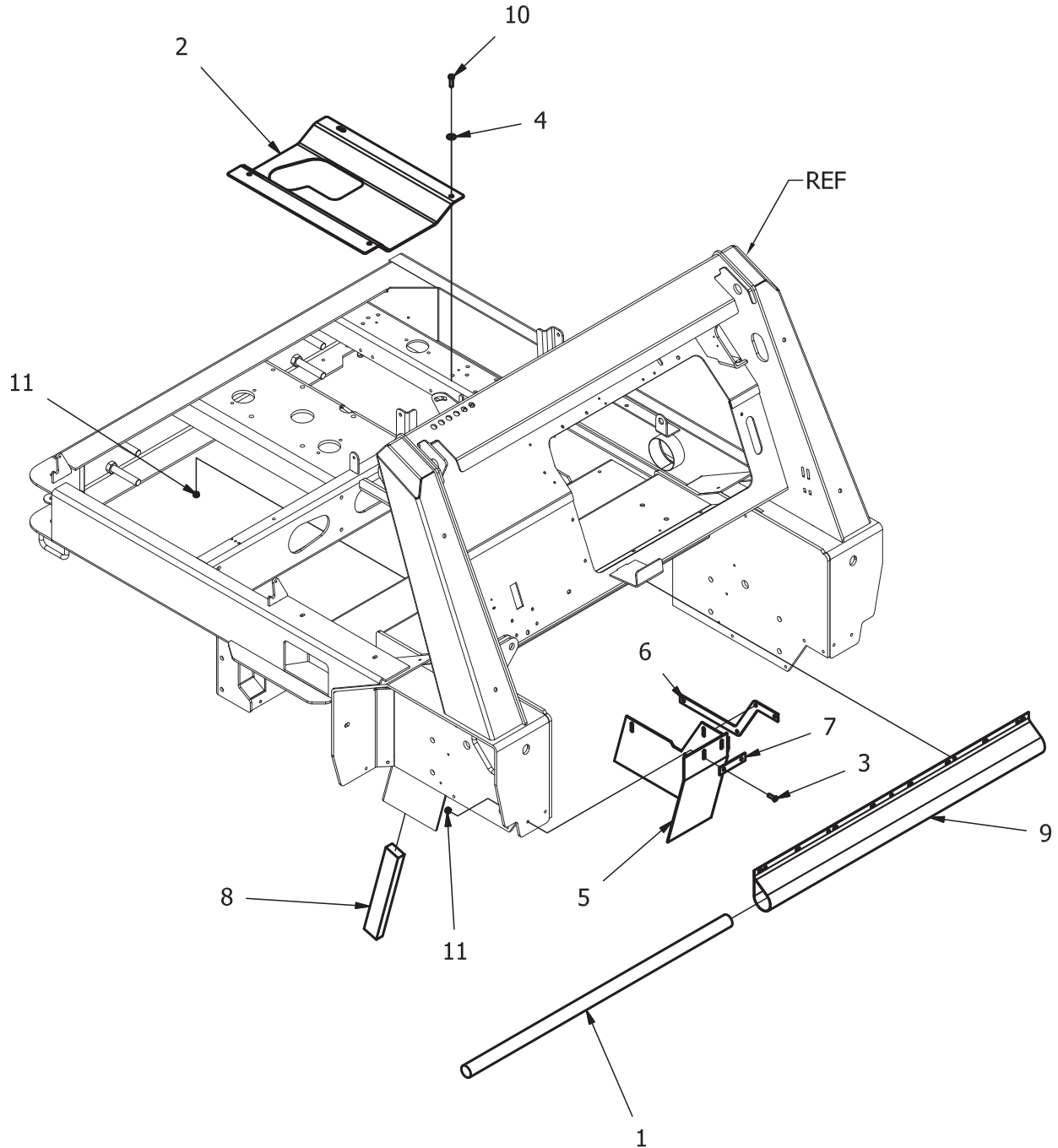


REV D

FRAME GROUP 2 (600680)

Parts List - 600680			
ITEM	PART NUMBER	QTY	DESCRIPTION
1	11038049	4	BOLT, M5-0.8 X 16 HHB
2	11039567	4	BOLT, M8-125 X 25 HH SS
3	12040036	4	NUT, M5 - 0.8 ESN
4	12040259	9	NUT, M8-1.25 ESN SS
5	12332011	1	WASHER, FENDER, M6
6	3307658	1	CHAIN, GROUND
7	3400086	2	WASHER, 1/2, 1.063 X .531 X .094
8	3400384	2	WASHER, 5/16 BELLEVILLE
9	600224	1	SKIRT, REAR
10	600225	1	SKIRT, RECIRC
11	600258	4	TIRE, 6 X 1.5
12	600514-6	2	ASSEMBLY, TAIL LIGHT
13	600515	1	STRAP, RECIRCULATING FLAP
14	600516	1	SHAFT, ROLLER
15	600517	1	WELDMENT, REAR SKIRT RETAINER
16	600565	6	SEAL, MB ARM
17	600569	2	RETAINING RING, EXT .50 HD
18	600814	1	PAD, STEP
19	600816	1	SHIELD, RUBBER
20	600913	1	BOLT, M6-1.00 X 20 HH SS
21	600933	1	NUT, M6-1.00 ESN SS
22	600934	2	NUT, M8-1.25 FLNG
23	600999	1	SUPPORT, WM HOSE
24	712827	5	WASHER-RBBR, .195ID, .562OD
25	717024	2	BOLT, M8-1.25 X 20 HH
26	REF.	-	WELDMENT, FRAME

FRAME GROUP SKIRT COMPONENTS (600680-1)

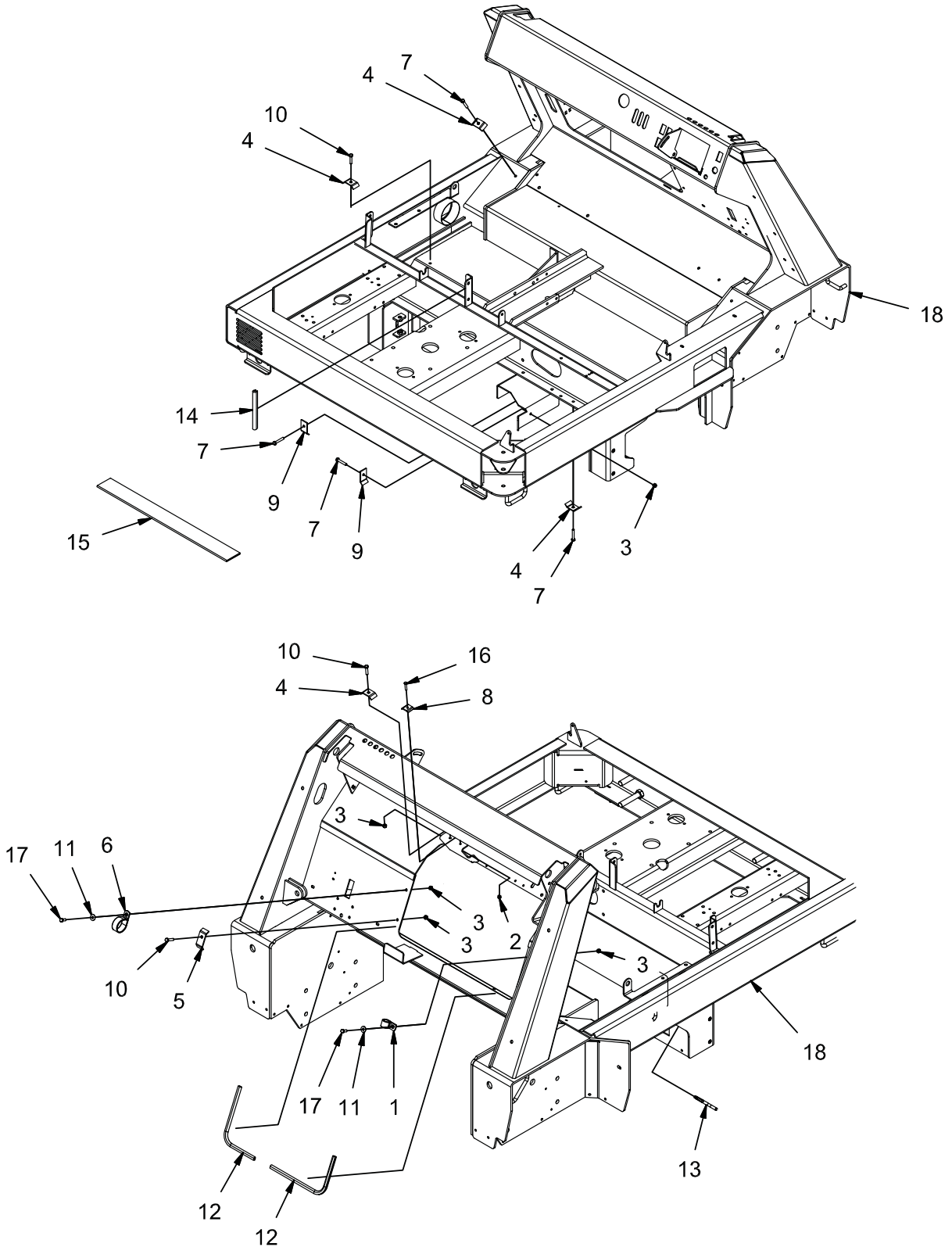


REV B

FRAME GROUP SKIRT COMPONENTS (600680-1)

PARTS LIST - 600680-1			
ITEM	PART NUMBER	QTY	DESCRIPTION
1	600233	1	BULB, HOPPER DOOR
2	600697	1	FLAP, DUST SUPPRESSION, OIL PAN
3	600917	12	SCREW, M8-1.25 X 25 BUTTON HD CAP SS
4	600940	5	WASHER, M8 FENDER
5	620025	2	SKIRT, MID
6	620026	2	STRAP, MID SKIRT
7	620049	2	STRAP, SHORT
8	620156	2	FOAM, 2IN X 13.25IN X 1IN
9	3307276	1	SEAL-FRAME HOPPER HORIZONTAL SW/A
10	11038254	5	BOLT, M8-125 X 30 HH
11	12040051	17	NUT, M8-1.25 ESN
12	REF	1	WELDMENT, FRAME

CLAMP - HOSE GROUP 1 (600860)

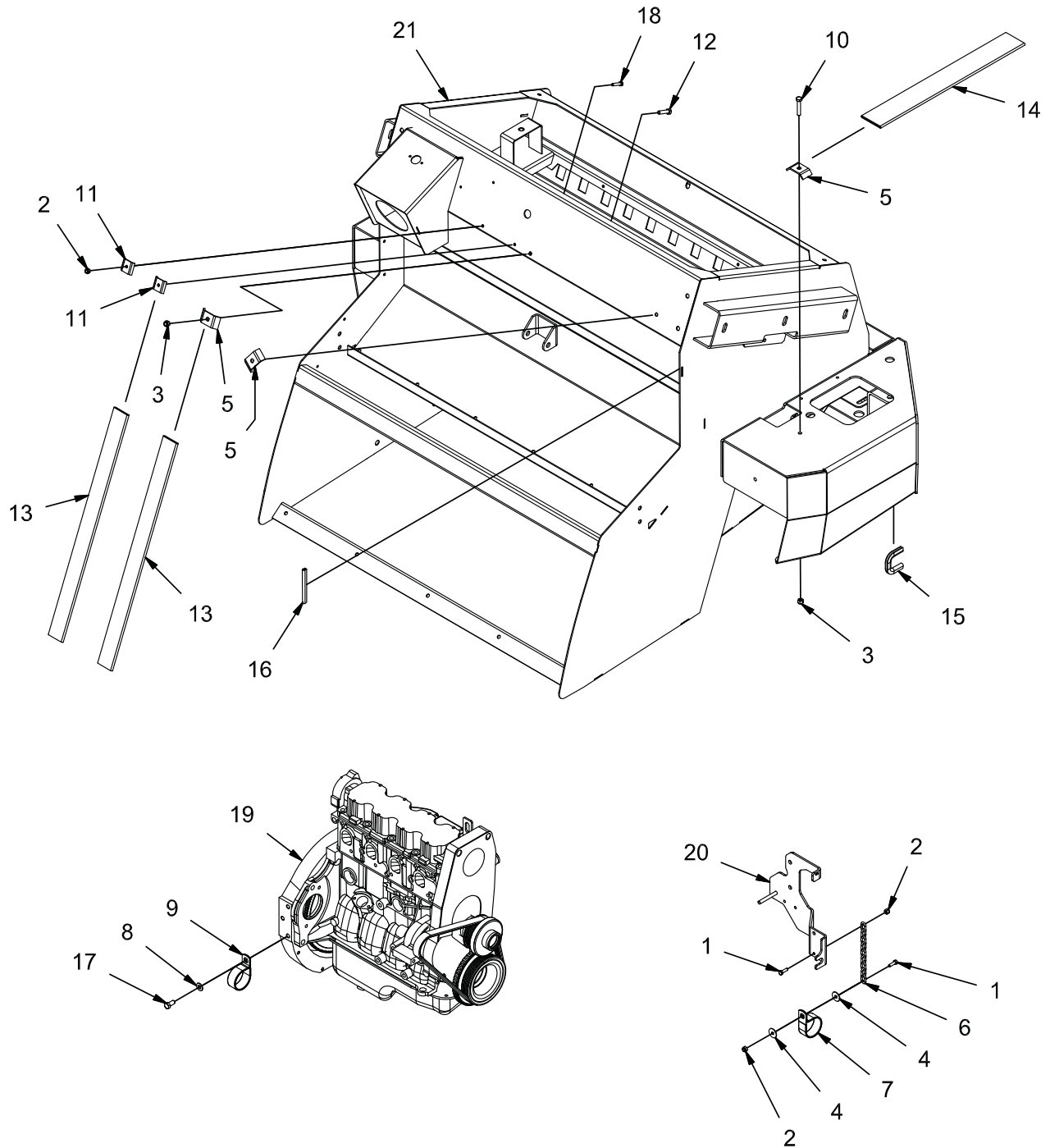


REV B

CLAMP - HOSE GROUP 1 (600860)

Parts List			
ITEM	PART NUMBER	QTY	DESCRIPTION
1	3400999	1	CLAMP, HOSE
2	12040044	1	NUT, M6-1.00 ESN
3	12040051	9	NUT, M8-1.25 ESN
4	3301437	4	RETAINER, HOSE, SYM, 8
5	3305398	1	RETAINER, HOSE, OFFSET, 8
6	3402005	1	CLAMP, 2"
7	600820	4	BOLT, M8-1.25 X 45 HH
8	600822	1	RETAINER, HOSE, SYM, 6
9	600823	2	RETAINER, HOSE, OFFSET, 8
10	600918	3	BOLT, M8-1.25 X 35 HH
11	600940	2	WASHER, M8 FENDER
12	620038	2	EDGING, 3/16 X 15.0"
13	620039	1	EDGING, 3/16 X 5.75"
14	620040	1	EDGING, 5/16 X 7.0"
15	620043	1	SLEEVE, AS-B-33 X 28.0"
16	717021	1	BOLT, M6-1.00 X 30 HH
17	717024	2	BOLT, M8-1.25 X 20 HH
18	REF	-	WELDMENT, FRAME

CLAMP - HOSE GROUP 2 (600860)

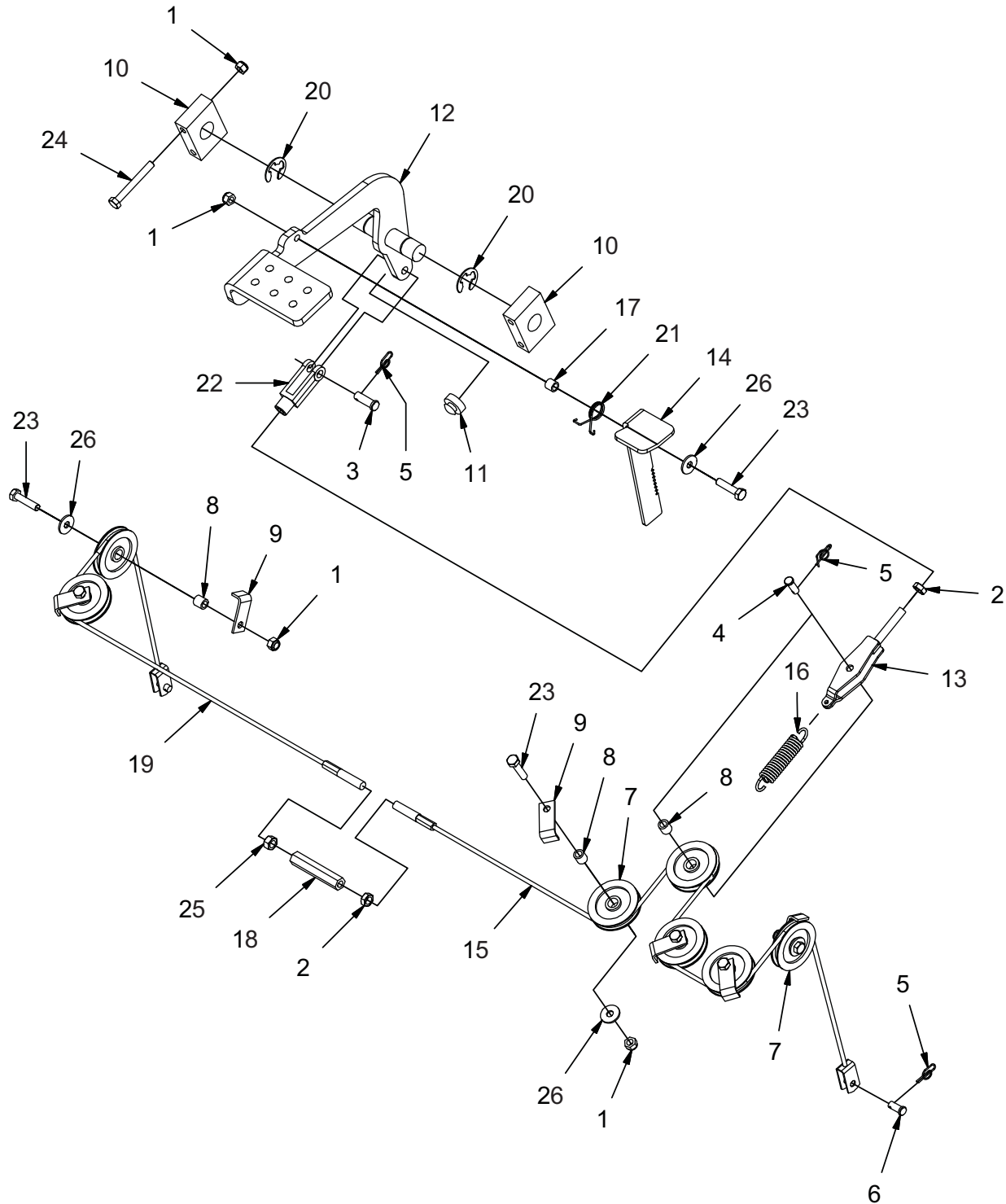


REV B

CLAMP - HOSE GROUP 2 (600860)

Parts List			
ITEM	PART NUMBER	QTY	DESCRIPTION
1	11038098	2	BOLT, M6-100 X 20 HH
2	12040044	4	NUT, M6-1.00 ESN
3	12040051	3	NUT, M8-1.25 ESN
4	12347027	2	WASHER, M6 FENDER
5	3301437	3	RETAINER, HOSE, SYM, 8
6	3307658	1	CHAIN, GROUND
7	3343539	1	CLAMP, 2"
8	3400385	1	WASHER, 3/8. BELLEVILLE
9	3402005	1	CLAMP, 2"
10	600820	1	BOLT, M8-1.25 X 45 HH
11	600822	2	RETAINER, HOSE, SYM, 6
12	600918	2	BOLT, M8-125 X 35 HH
13	620041	2	SLEEVE, AS-B-17 X 24.5"
14	620042	1	SLEEVE, AS-B-27 X 20.0"
15	620046	1	EDGING, 3/16 X 4.75"
16	620120	1	EDGING, 4"
17	713041	1	SCREW, 3/8-16 X .750 HHC
18	717021	2	BOLT, M6-100 X 30 HH
19	REF	-	ENGINE
20	REF	-	CAM MOUNT
21	REF	-	HOPPER

BRAKE GROUP (600688)

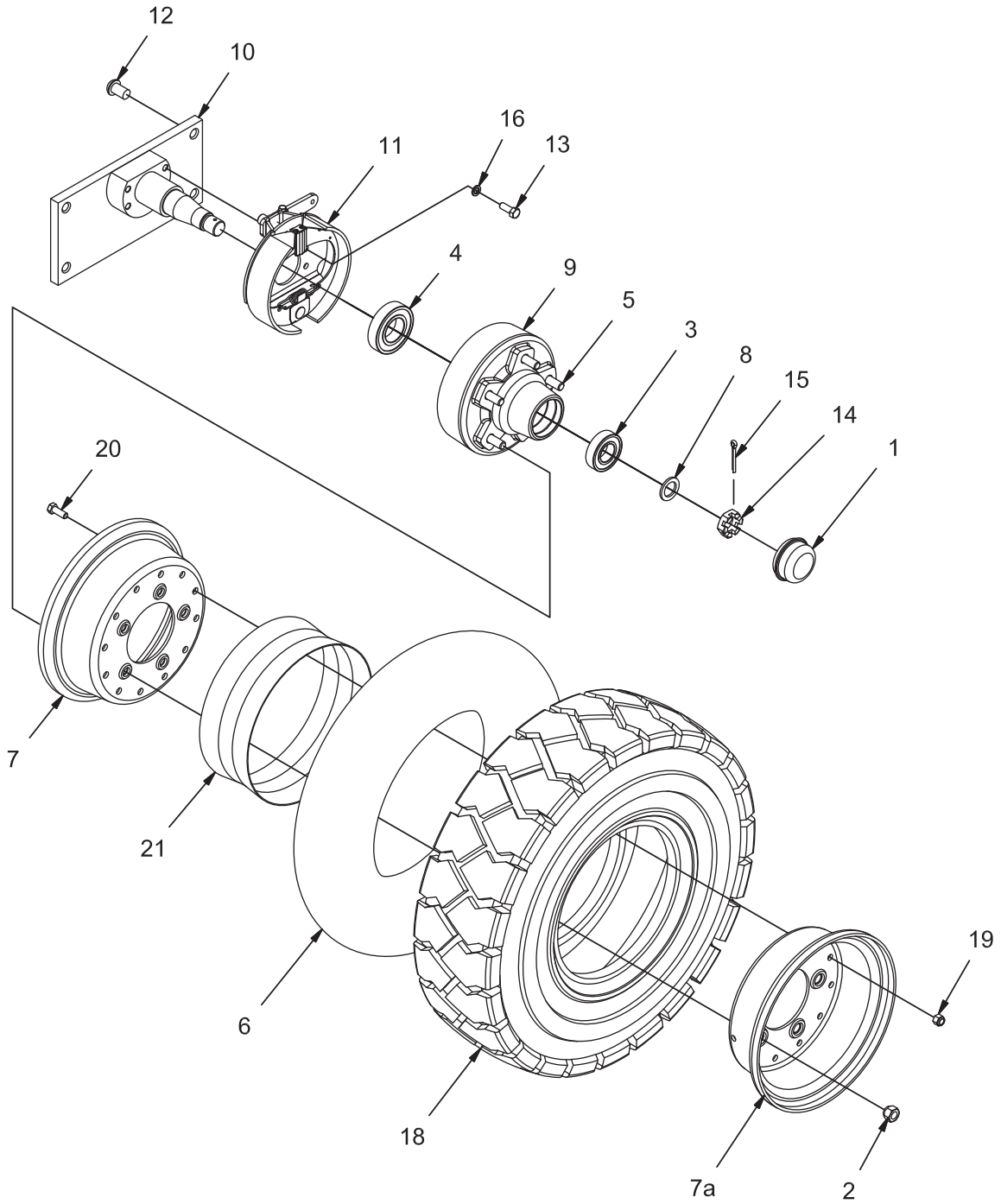


REV C

BRAKE GROUP (600688)

Parts List			
ITEM	PART NUMBER	QTY	DESCRIPTION
1	12040051	11	NUT, M8-1.25 ESN
2	3400075	2	NUT, HEX JAM 3/8-24
3	3400117	1	PIN, CLEVIS 3/8 X 1.125
4	3400118	1	PIN, CLEVIS, .313 X .88
5	3400125	4	RUE-RING, .375
6	450034	2	PIN, CLEVIS, .313 X .75
7	600113	7	PULLEY, .50 B, 2.00 D, .44 T
8	600114	7	SPACER, .328 B .498 OD .500 T
9	600115	6	RETAINER, CABLE
10	600116	2	BLOCK, BRAKE PIVOT
11	600117	1	BUMPER, 1.00 X .339 T
12	600118	1	WELDMENT, BRAKE PEDAL
13	600121	1	CLEVIS, BRAKE PULLEY
14	600124	1	PEDAL, PARKING BRAKE
15	600126	1	CABLE, BRAKE, RH
16	620259	1	SPRING, EXTENSION
17	600315	1	SPACER, .344 B .485 OD .425 T
18	600338	1	TURNBUCKLE, .375
19	600339	1	CABLE, BRAKE, LH
20	600570	2	E-RING, .88
21	600809	1	SPRING, TORSION
22	600813	1	CLEVIS, 3/8-24
23	600918	7	BOLT, M8-1.25 X 35 HH
24	600921	4	BOLT, M8-1.25 X 65 HH
25	600938	1	NUT, 3/8-24 LH
26	600940	7	WASHER, M8 FENDER

FRONT WHEEL GROUP (600687)

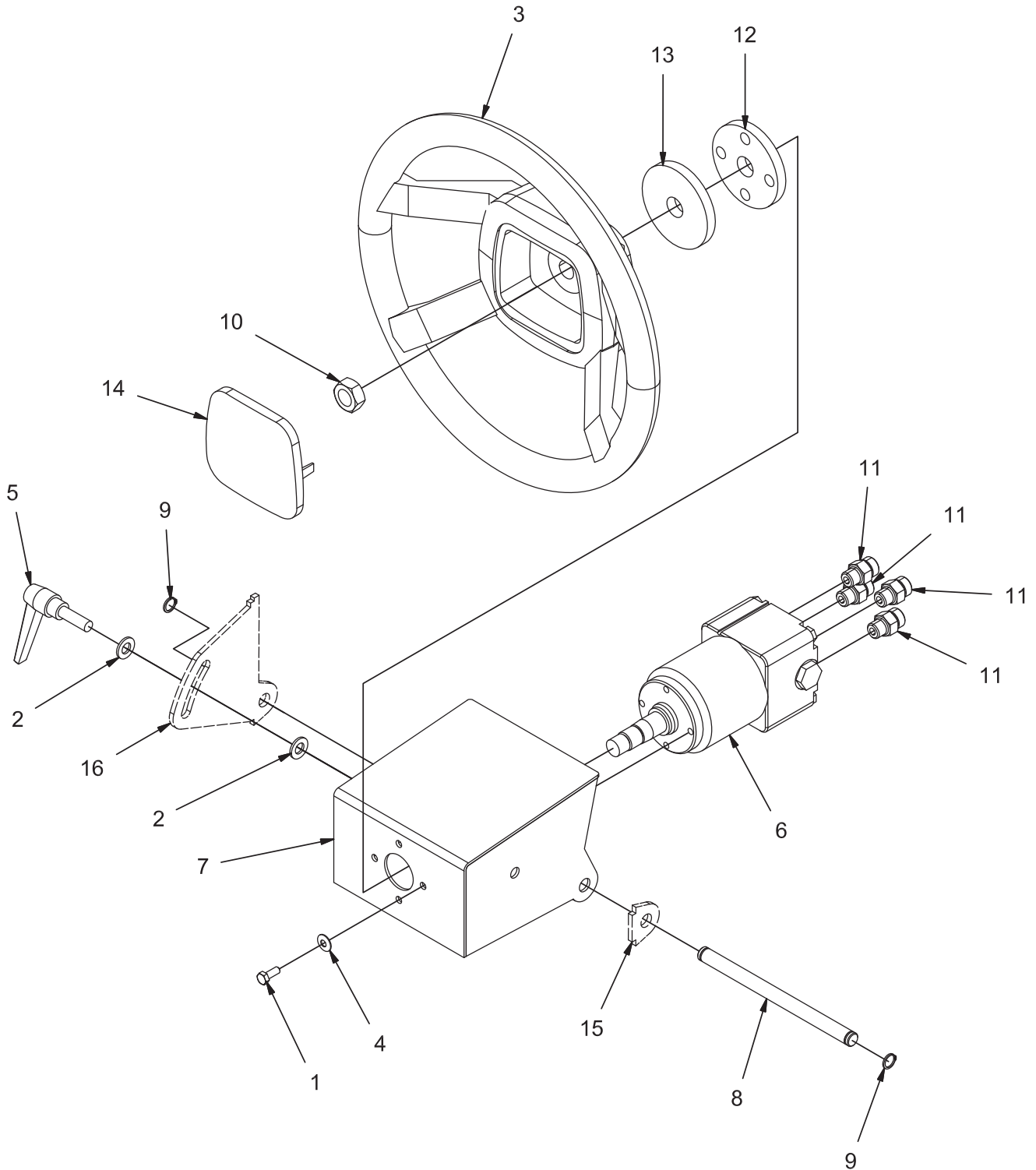


REV A

FRONT WHEEL GROUP (600687)

Parts List			
ITEM	PART NUMBER	QTY	DESCRIPTION
1	3300369	2	GREASE CAP
2	3300411	10	NUT, LUG
3	3300467	2	BEARING, BALL, 6206-2RS
4	3307238	2	BEARING, BALL, 6208-2RS
5	3307242	10	STUD, WHEEL
6	620651	2	TUBE 650-10 WITH ANGLED STEM
7	3307022	2	RIM ASSEMBLY
7a	3307022	2	RIM ASSEMBLY
8	3307352	2	WASHER
9	3318288	2	HUB, MACHINED
10	3334058	2	WELDMENT, SPINDLE
11	3334059	2	ASSEMBLY, BRAKE, RH-LH
12	3400006	8	SCREW, 5/8-11 x 1.00 BUTTON HD CAP
13	3400030	8	SCREW, HEX, 3/8-16 X 1.00 ZP
14	3400076	2	NUT, SLOTTED 1-14
15	3400120	2	PIN, COTTER 3/16 X 1.50 ZP
16	3401570-9	8	WASHER, NORD-LOCK, 3/8 ZP
17	600387	-	ASSEMBLY, TIRE, 650-10
18	600904	2	TIRE, PNEUMATIC, 650-10 (23.2" T-800)
19	711380	24	NUT, FIBER INSERT 3/8-16
20	713042	24	SCREW, 3/8-16 X 1.000 HHC
21	PART OF 3307022	2	LINER, FRONT

STEERING COLUMN GROUP (600682-1)

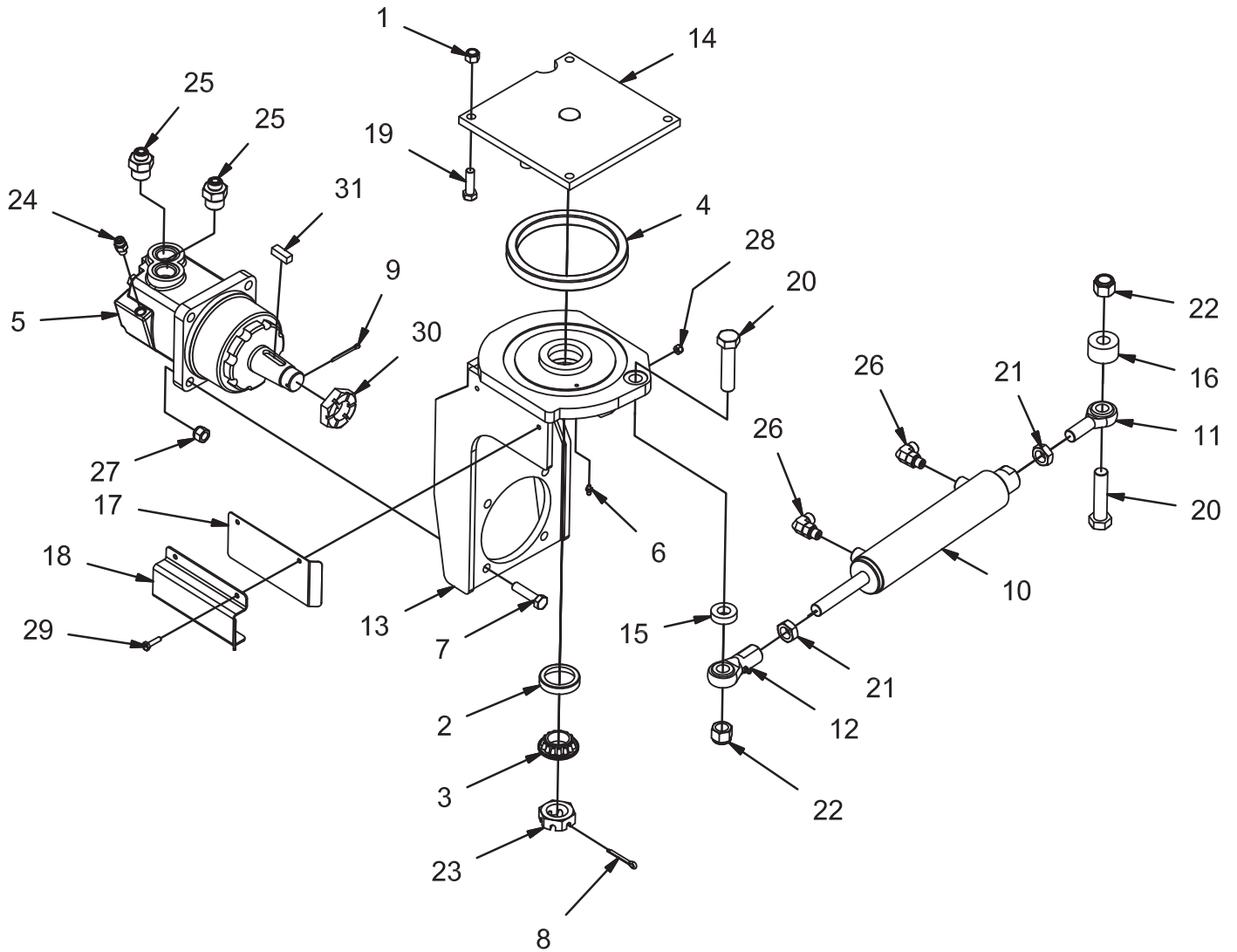


REV A

STEERING COLUMN GROUP (600682-1)

Parts List 600682-1			
ITEM	PART NUMBER	QTY	DESCRIPTION
1	11038072	4	BOLT, M6-100 X 16 HH
2	12310058	2	WASHER, M10
3	3338215	1	STEERING WHEEL
4	3400383	4	WASHER, 1/4 BELLEVILLE
5	600260	1	KNOB, LEVER
6	600368	1	STEERING UNIT
7	600465	1	WELDMENT, STEERING MNT
8	600516	1	SHAFT, ROLLER
9	600569	2	RETAINING RING, EXT .50 HD
10	620057	1	NUT, JAM, M16-1.50 STL ZP
11	675515	4	FITTING, STR, 6 ORFS - 6 SAE
12	690152	1	DUST RING, STEERING
13	690160	1	DUST RING, STEERING, UPPER
14	PART OF 3338215	1	COVER, STEERING WHEEL
15	REF	1	FRAME
16	REF	1	FRAME

STEERING FORK GROUP (600690-1)

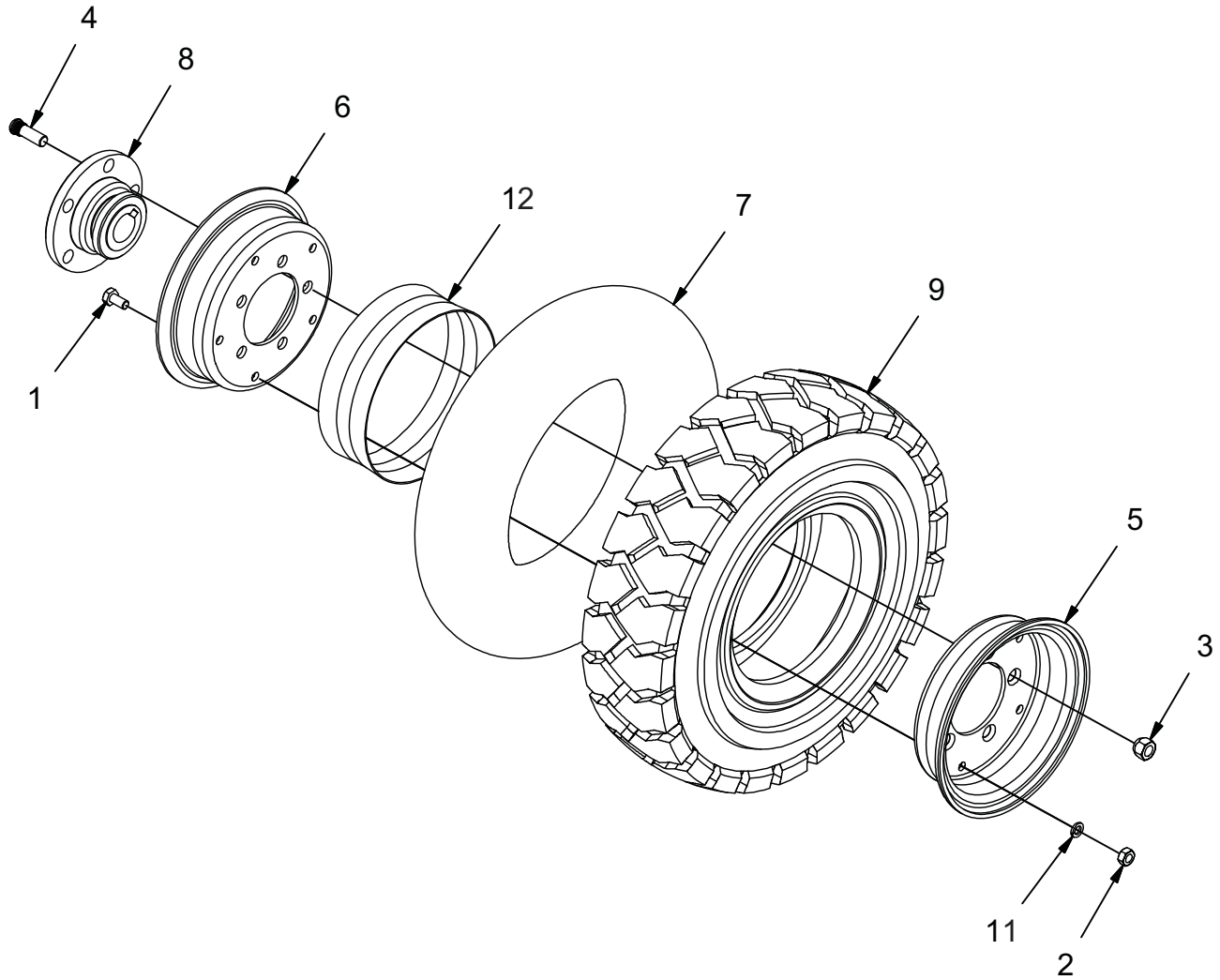


REV A

STEERING FORK GROUP (600690-1)

Parts List 600690-1			
ITEM	PART NUMBER	QTY	DESCRIPTION
1	12040077	4	NUT-NYLOC M12-1.75 STL ZINC
2	3300470	1	BEARING, PIVOT BEARING - CUP
3	3300471	1	BEARING - CONE W/SEAL
4	3300472	1	BEARING, PIVOT THRUST
5	3305108	1	MOTOR, HYD. WHEEL
6	3400012	1	GREASE ZIRK
7	3400020	4	BOLT, 1/2-13 X 2.00 HH
8	3400119	1	PIN, COTTER 3/16 X 1.50 ZP
9	3400122	1	COTTERPIN .125 X 2.00
10	600105	1	CYLINDER, STEERING
11	600177	1	ROD END, MALE, 3/4-16
12	600178	1	ROD END, FEM, 3/4-16 W/ZERK
13	600186	1	WELDMENT, FORK
14	600252	1	WELDMENT, FORK MNT
15	600328	1	SPACER, .766 B 1.50 OD .438 T
16	600329	1	SPACER, .766 B 1.75 OD 1.03T
17	600807	1	PLATE, HOSE GUIDE
18	600808	1	CLAMP, WM HOSE
19	600928	4	BOLT, M12-1.75 X 40 HH
20	600932	2	BOLT, 3/4-10 X 3.25 HH
21	600939	2	NUT, 3/4-16 JAM
22	620059	2	NUT,3/4-10 FIBER INSERT STL ZP
23	620066	1	NUT, SLOTTED, 1-1/4-12
24	675508	1	FITTING, STR, 4 ORFS - 4-SAE
25	675529	2	FTG - STR THD CONNECTOR -8 ORFS TO -8 SAE
26	675572	2	FTG-STR THD ELBOW -6 ORFS TO -6 SAE
27	711376	4	NUT, FIBER INSERT 1/2-13
28	711377	2	NUT, FIBER INSERT 1/4-20
29	713003	2	SCREW, 1/4-20 X 1.00 HH
30	PART OF 3305108	1	NUT 1.25-18
31	PART OF 3305108	1	KEY .44 SQ X 1.25

REAR WHEEL GROUP (600689)

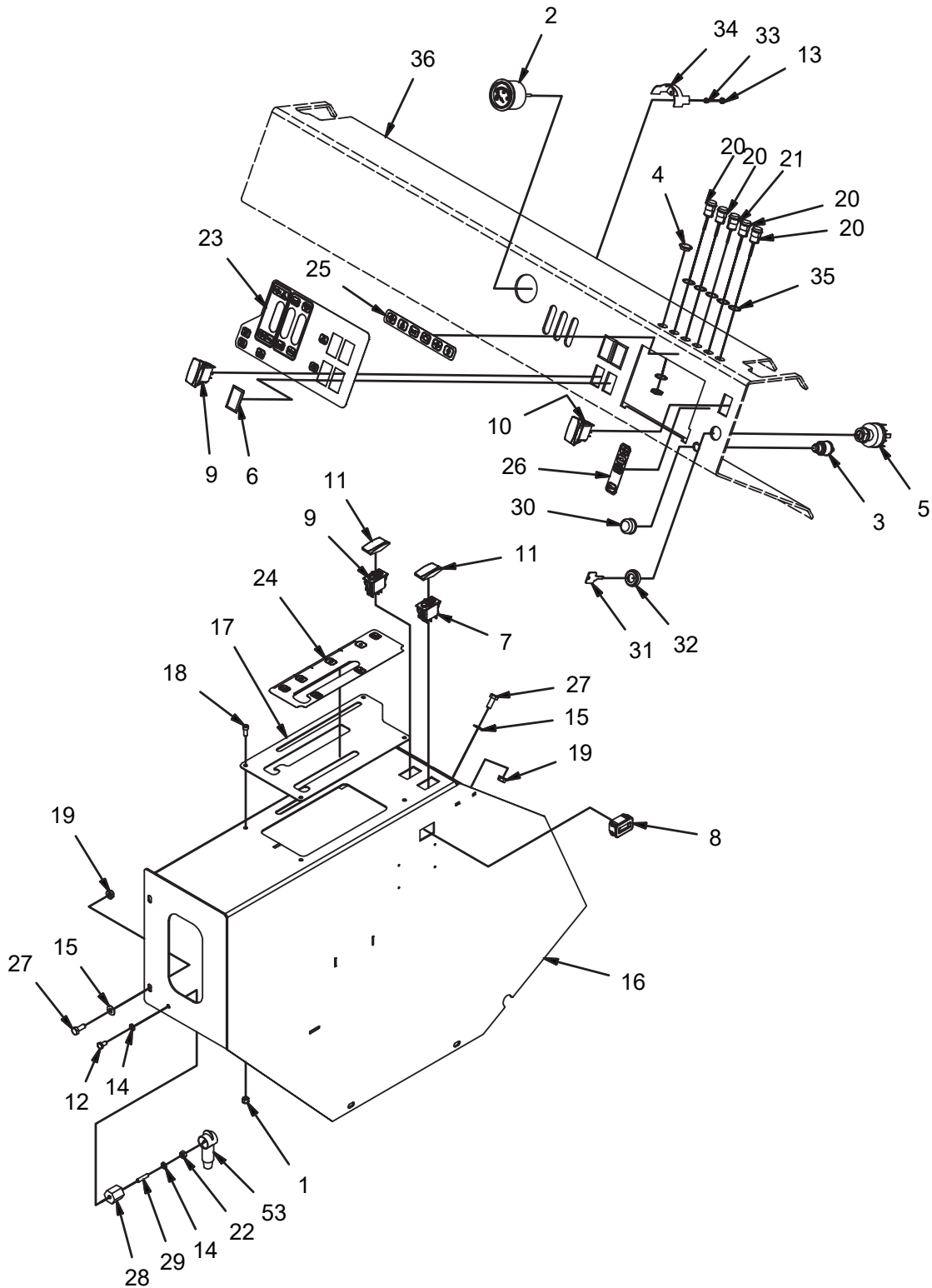


REV *

REAR WHEEL GROUP (600689)

Parts List			
ITEM	PART NUMBER	QTY	DESCRIPTION
1	11038353	5	BOLT, M10-1.50 X 20 HH
2	12022067	5	NUT, M10-1.50 HEX
3	3300411	5	NUT, LUG
4	3307348	5	STUD, WHEEL
5	600255	1	RIM, OUTER, 500-8
6	600256	1	RIM, INNER, 500-8
7	600257	1	TUBE, TIRE, 500-8
8	600335	1	HUB, REAR WHEEL
9	600336	1	TIRE, PNEUMATIC, 500-8
10	600388	-	ASSEMBLY, TIRE, 500-8
11	600945	5	LOCK WASHER, M10
12	PART OF 600255/6	1	LINER, REAR

INSTRUMENT PANEL GROUP - DIESEL (600611)

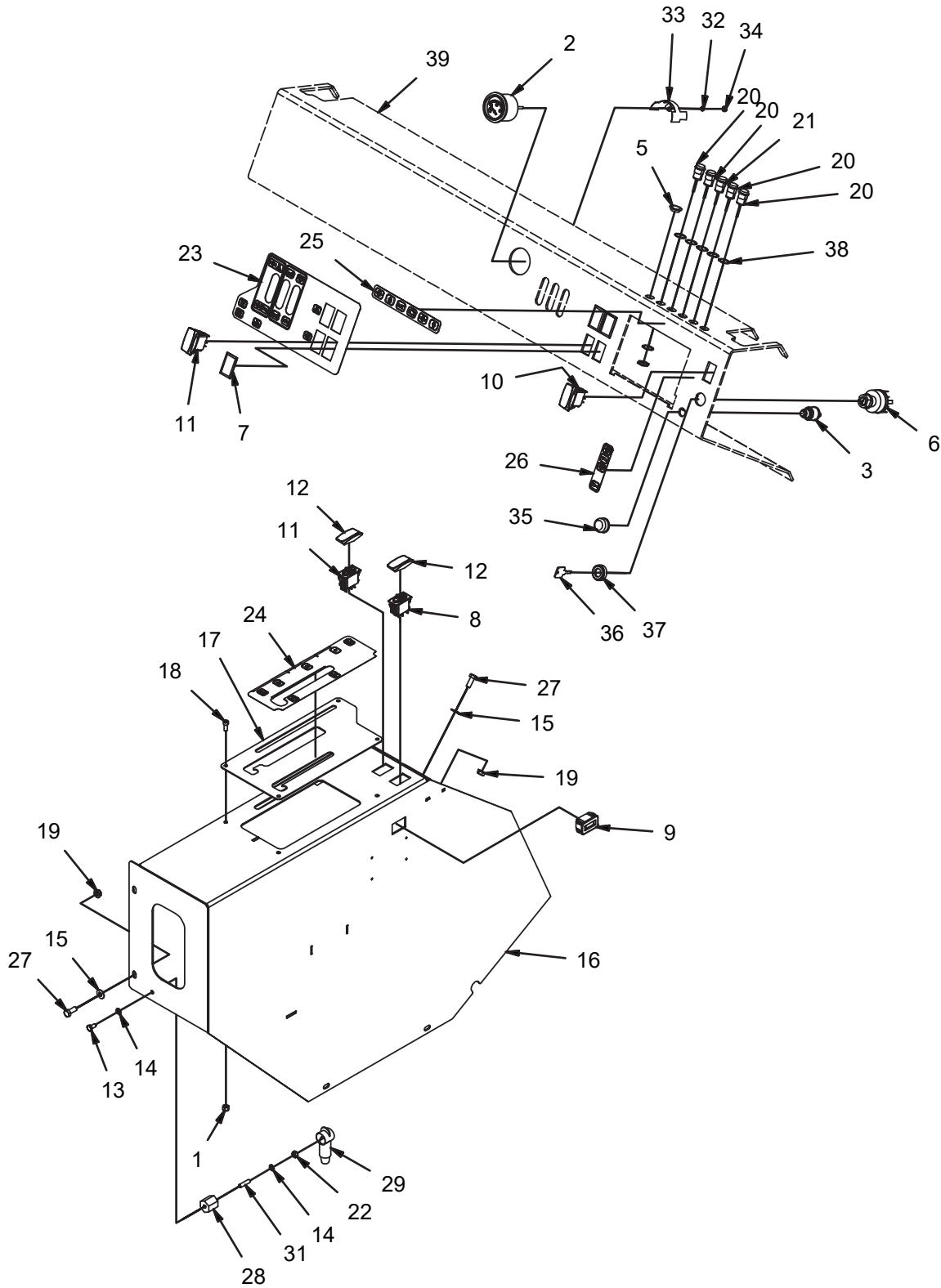


REV F

INSTRUMENT PANEL GROUP - DIESEL (600611)

Parts List			
ITEM	PART NUMBER	QTY	DESCRIPTION
1	12040044	4	NUT, M6-1.00 ESN
2	3300382	1	GAUGE, FUEL
3	3300441	1	SWITCH, MOMENTARY
4	3301669	1	COVER, HOLE
5	3316100	1	KEYSWITCH
6	3323529	3	COVER
7	3335114	1	SWITCH, MOMENTARY
8	3336094	1	HOUR METER
9	3342705	2	SWITCH, DPST
10	3343912	1	SWITCH, DPDT
11	3344038	2	SWITCH CAP
12	3400043	1	BOLT, 1/4-20 X .50 HH
13	3400073	2	NUT, #8-32
14	3400103	2	LOCK WASHER, 1/4 HS MED
15	3400384	4	WASHER, 5/16 BELLEVILLE
16	600474	1	WELDMENT, CONSOLE
17	600560	1	PLATE, WEAR
18	600912	4	BOLT, M6-1.00 X 16 AHCS
19	600934	4	NUT, M8-1.25 FLNG
20	748995	4	LIGHT ASSY, INDICATOR RED - LED
21	748996	1	LIGHT ASSY, INDICATOR AMBER - LED
22	711316	1	NUT, HEX 1/4-20 ZINC PL
23	715922	1	DECAL, VALVE, ATLAS
24	715934	1	DECAL, BROOMS, ATLAS
25	715936	1	DECAL, WARNING LIGHTS, ATLAS
26	715941	1	DECAL, DIESEL, ATLAS
27	717024	4	BOLT, M8-1.25 X 20 HH
28	740132	1	PLASTIC INSULATOR
29	833638	1	1/4-20 STUD, BRASS
30	PART OF	1	CAP, HORN SWITCH
31	PART OF 3316100	1	KEY
32	PART OF 3316100	1	NUT, KEYSWITCH
33	PART OF 600542	2	LOCKWASHER, EXT #8
34	PART OF 600542	1	RETAINER, GAUGE
35	REF	5	SEAL FOR LED
36	REF.	-	FRAME
-	3301345-1	1	WIRE ASSY, FUEL GAUGE LIGHT
-	748936	1	HARNESS, FUEL GAUGE
53	742740	1	TERMINAL INSULATOR, RED

INSTRUMENT PANEL GROUP - GAS (600636)

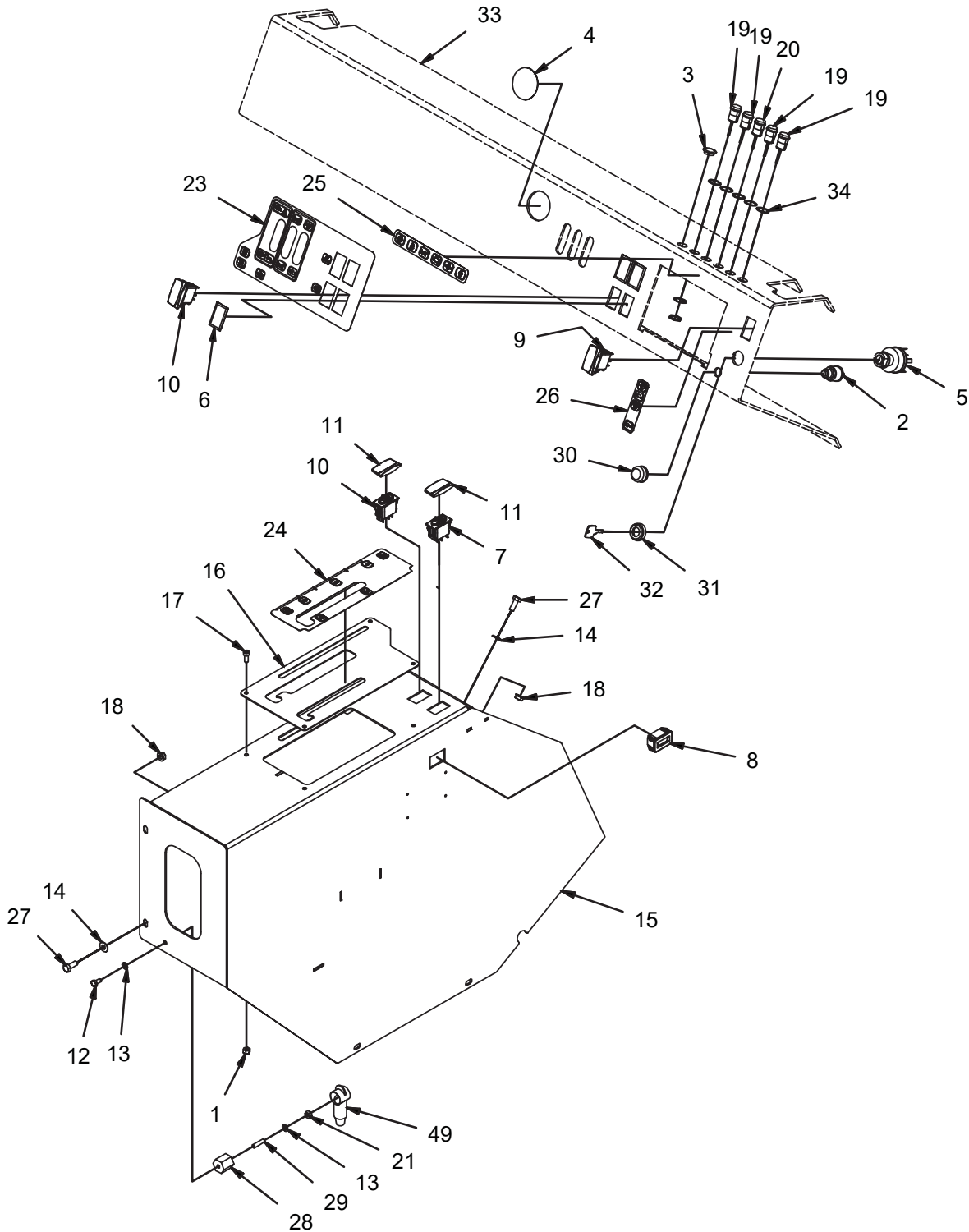


REV G

INSTRUMENT PANEL GROUP - GAS (600636)

Parts List			
ITEM	PART NUMBER	QTY	DESCRIPTION
1	12040044	4	NUT, M6-1.00 ESN
2	3300382	1	GAUGE, FUEL
3	3300441	1	SWITCH, MOMENTARY
4	3301345-1	1	WIRE ASSY, FUEL GAUGE LIGHT
5	3301669	1	COVER, HOLE
6	3316100	1	KEYSWITCH
7	3323529	3	COVER
8	3335114	1	SWITCH, MOMENTARY
9	3336094	1	HOUR METER
10	3342703	1	SWITCH, 3-POSITION
11	3342705	2	SWITCH, DPST
12	3344038	2	SWITCH CAP
13	3400043	1	BOLT, 1/4-20 X .50 HH
14	3400103	2	LOCK WASHER, 1/4 HS MED
15	3400384	4	WASHER, 5/16 BELLEVILLE
16	600474	1	WELDMENT, CONSOLE
17	600560	1	PLATE, WEAR
18	600912	4	BOLT, M6-1.00 X 16 AHCS
19	600934	4	NUT, M8-1.25 FLNG
20	748995	4	LIGHT ASSY, INDICATOR RED - LED
21	748996	1	LIGHT ASSY, INDICATOR AMBER - LED
22	711316	1	NUT, HEX 1/4-20 ZINC PL
23	715922	1	DECAL, VALVE, ATLAS
24	715934	1	DECAL, BROOMS, ATLAS
25	715936	1	DECAL, WARNING LIGHTS, ATLAS
26	715937	1	DECAL, ENGINE, ATLAS
27	717024	4	BOLT, M8-1.25 X 20 HH
28	740132	1	PLASTIC INSULATOR
29	742740	1	TERMINAL INSULATOR, RED
30	748936	1	HARNESS, FUEL GAUGE
31	833638	1	1/4-20 STUD, BRASS
32	PART OF 3300382	2	LOCKWASHER, EXT #8
33	PART OF 3300382	1	RETAINER, GAUGE
34	PART OF 3300382	2	NUT, #8-32
35	PART OF 3300441	1	CAP, HORN SWITCH
36	PART OF 3316100	1	KEY
37	PART OF 3316100	1	NUT, KEYSWITCH
38	PART OF LED	5	SEAL FOR LED INDICATOR LIGHT
39	REF.	-	FRAME

INSTRUMENT PANEL GROUP - LPG (600700)

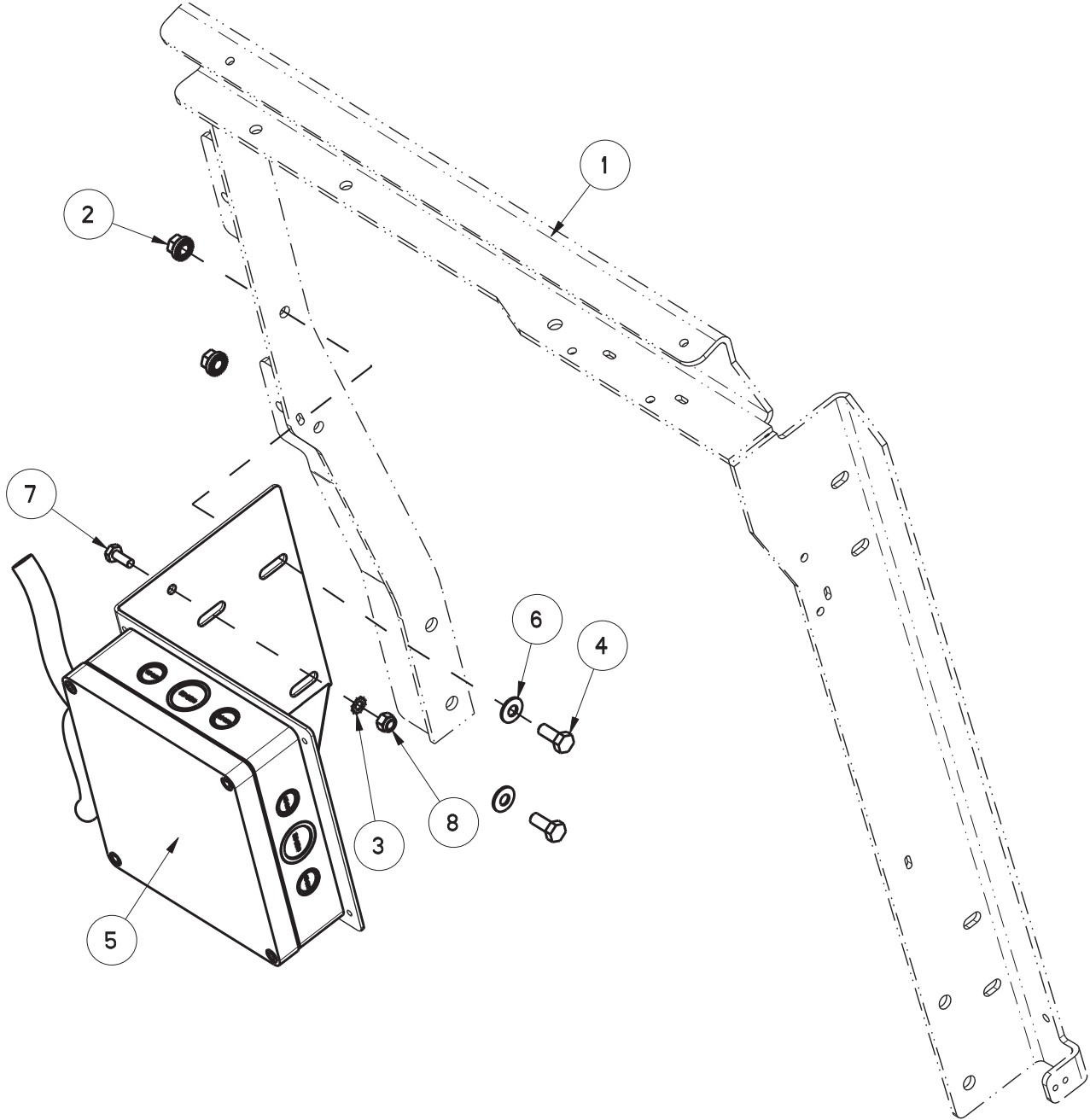


REV E

INSTRUMENT PANEL GROUP - LPG (600700)

Parts List 600700			
ITEM	PART NUMBER	QTY	DESCRIPTION
1	12040044	4	NUT, M6-1.00 ESN
2	3300441	1	SWITCH, MOMENTARY
3	3301669	1	COVER, HOLE
4	3301822	1	PLUG, PLASTIC, 2.00
5	3316100	1	KEYSWITCH
6	3323529	3	COVER
7	3335114	1	SWITCH, MOMENTARY
8	3336094	1	HOUR METER
9	3342703	1	SWITCH, 3-POSITION
10	3342705	2	SWITCH, DPST
11	3344038	2	SWITCH CAP
12	3400043	1	BOLT, 1/4-20 X .50 HH
13	3400103	2	LOCK WASHER, 1/4 HS MED
14	3400384	4	WASHER, 5/16 BELLEVILLE
15	600474	1	WELDMENT, CONSOLE
16	600560	1	PLATE, WEAR
17	600912	4	BOLT, M6-1.00 X 16 AHCS
18	600934	4	NUT, M8-1.25 FLNG
19	748995	4	LIGHT ASSY, INDICATOR RED - LED
20	748996	1	LIGHT ASSY, INDICATOR AMBER - LED
21	711316	1	NUT, HEX 1/4-20 ZINC PL
23	715922	1	DECAL, VALVE, ATLAS
24	715934	1	DECAL, BROOMS, ATLAS
25	715936	1	DECAL, WARNING LIGHTS, ATLAS
26	715937	1	DECAL, ENGINE, ATLAS
27	717024	4	BOLT, M8-1.25 X 20 HH
28	740132	1	PLASTIC INSULATOR
29	833638	1	1/4-20 STUD, BRASS
30	PART OF 3300441	1	CAP, HORN SWITCH
31	PART OF 3316100	1	NUT, KEYSWITCH
32	PART OF 3316100	1	KEY
33	REF	-	FRAME
34	REF	5	SEAL FOR LED INDICATOR LIGHT
49	742740	1	TERMINAL INSULATOR, RED

ELECTRICAL GROUP - DIESEL (600612)

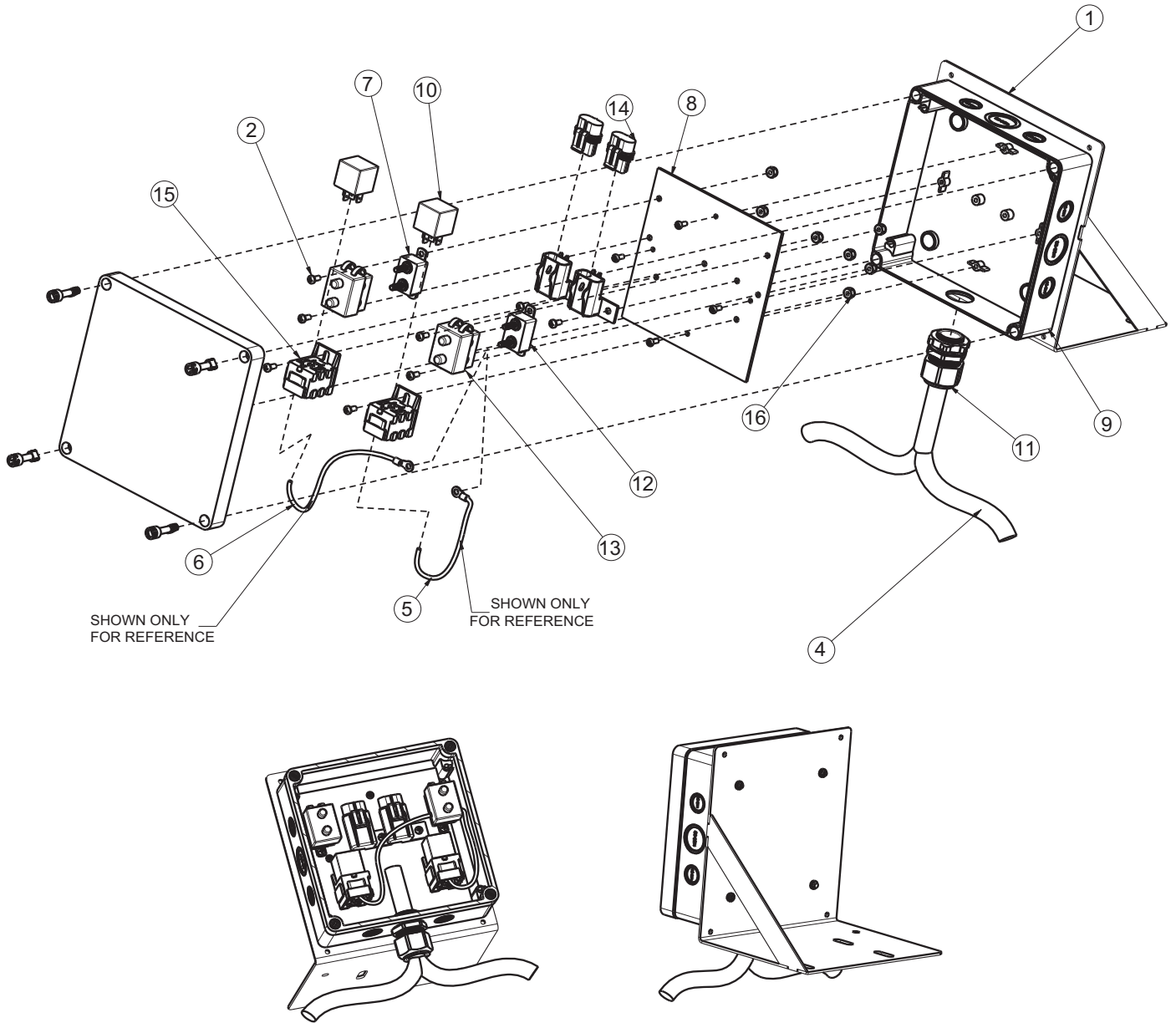


REV B

ELECTRICAL GROUP - DIESEL (600612)

Parts List			
ITEM	PART NUMBER	QTY	DESCRIPTION
1	600356	1	WELDMENT COVER FRAME
2	600934	2	NUT-FLANGE WIZZ M8-1.25 ZP
3	711564	1	WSR-EXTERNAL LOCK 1/4
4	717024	2	SCR-HH M8-1.25 X 20 ZP GRADE 8.8
5	748769	1	DIESEL CONTROL BOX
6	3400384	2	WASHER-CONICAL SPRING 5/16
7	11038072	1	SCR-HH M6-1.0 X 16 ZP CLASS 8.8
8	12040044	1	NUT-NYLOC M6 X 1.0 ZP CLASS 6

DIESEL CONTROL BOX (748769)

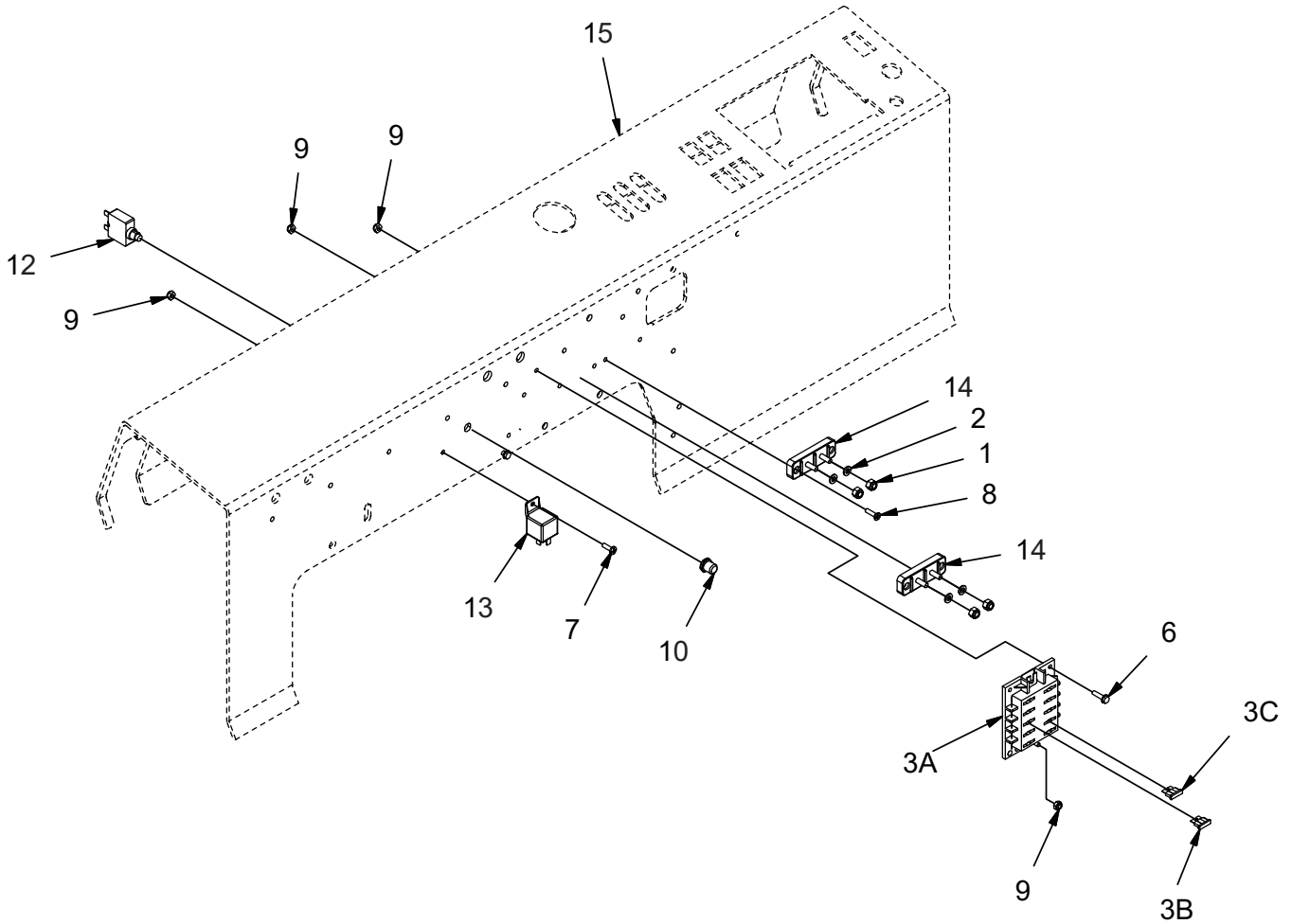


REV C

DIESEL CONTROL BOX (748769)

Parts List			
ITEM	PART NUMBER	QTY	DESCRIPTION
1	690042	1	BRKT, MTG, WELD, DSL CONTROL BOX
2	710328	8	SCR-RHMS 8-32 X .37 ZP
3	712540	4	SCR-THMS 10-24 X .37 SS
4	748447	1	WIRING HARNESS, DSL CONTROL BOX
5	748447-1	1	WIRE ASSY, ORANGE
6	748447-2	1	WIRE ASSY, YELLOW
7	748762	1	CIRCUIT BREAKER, 12V 50A
8	748763-MCH	1	MOUNTING PLATE, MACHINED
9	748764	1	ENCLOSURE W/ METRIC KNOCKOUTS
10	748767	2	RELAY, 14 VDC 50/30 A
11	748768	1	CORDGRIP, M25, LIQUID TIGHT
12	748962	1	CIRCUIT BREAKER, 12V 40A
13	748963	2	CIRCUIT BREAKER BOOT
14	748964-1	2	ASSY, FUSE HOLDER
15	748967	2	SOCKET, RELAY
16	3400082	8	NUT-NYLOC 8-32 ZP

ELECTRICAL GROUP (600880)

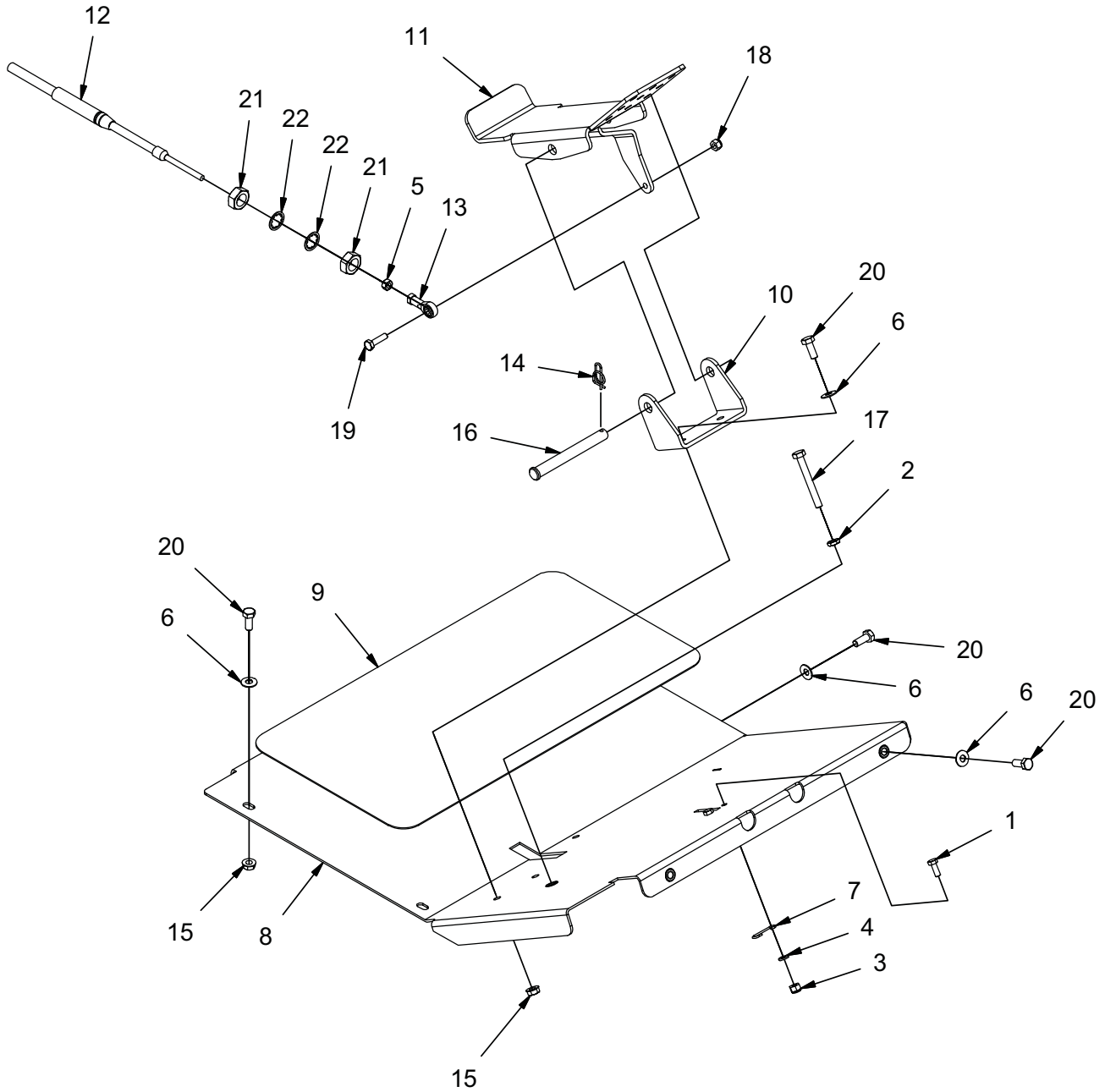


REV A

ELECTRICAL GROUP (600880)

INSTRUMENT PANEL - FUSES, CIRCUIT BREAKER, AND TERMINAL BLOCK			
ITEM	PART NO.	QTY	DESCRIPTION
1	12040044	4	NUT, M6-1.00 ESN
2	12310033	4	WASHER, M6
3	748900	1	HARNESS, MAIN
3A	3322599	1	FUSE BLOCK
3B	3322601	6	FUSE, 15A
3C	3335329	4	FUSE, 10A
6	3400045	1	SCR-PHMS 8-32X0.62 ZP SLOT HEAD
7	3400204	2	SCR-PAN,#10-32X0.62,PHL ZP
8	710556	4	SCREW, FHMS, 10-32 X .75 ZP
9	711350	8	NUT, 10-32, ESN
10	742748	1	BOOT, CIRCUIT BREAKER
12	748904	1	CIRCUIT BREAKER, 40A
13	748558	1	RELAY
14	90286238	2	TERMINAL BLOCK
15	REF	-	FRAME

DIRECTIONAL CONTROL GROUP (600681)

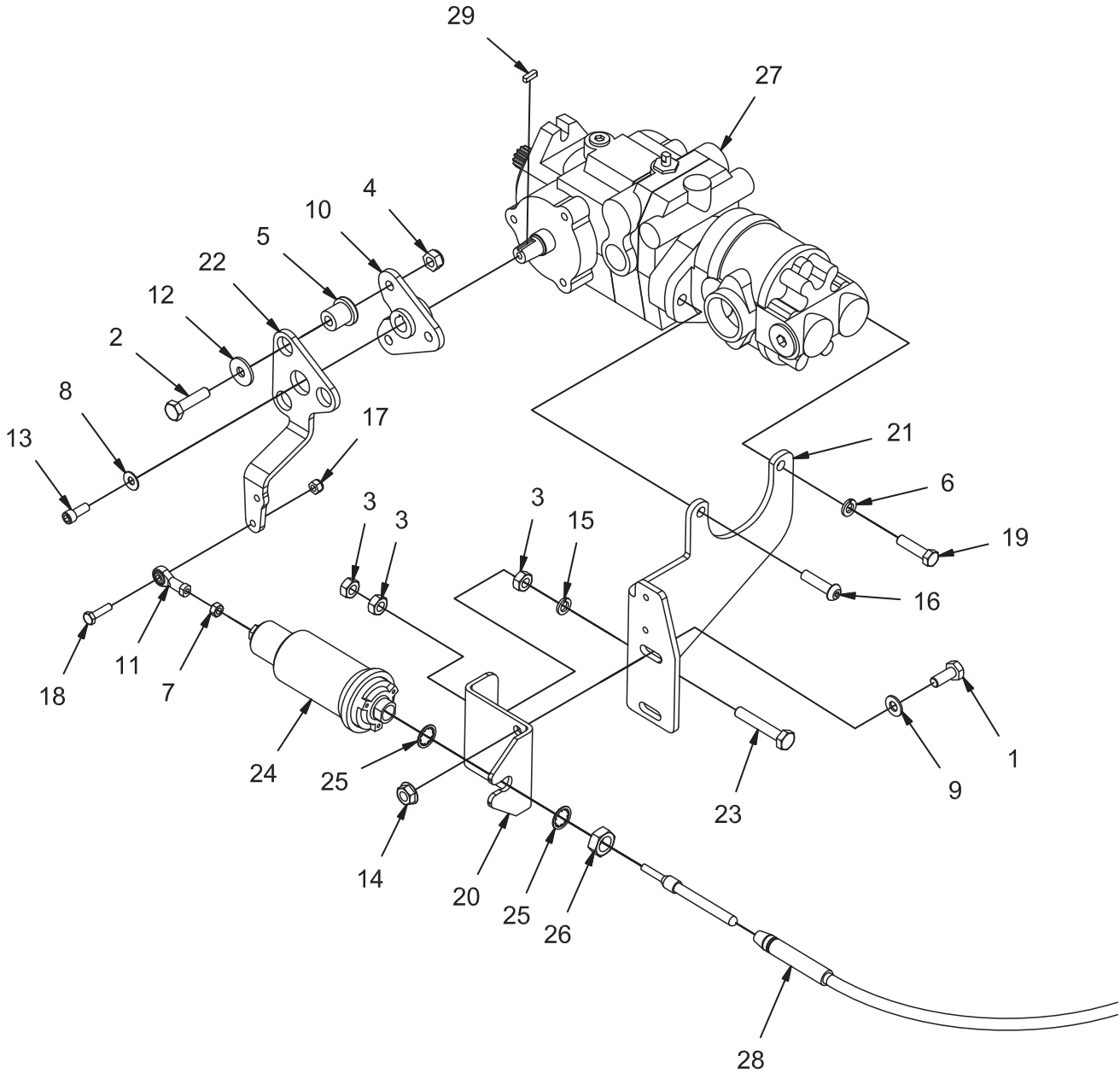


REV *

DIRECTIONAL CONTROL GROUP (600681)

Parts List			
ITEM	PART NUMBER	QTY	DESCRIPTION
1	11038072	2	BOLT, M6-100 X 16 HH
2	12012019	1	NUT, M8-1.25 JAM
3	12040044	2	NUT, M6-1.00 ESN
4	12310033	2	WASHER, M6
5	3400180	1	NUT, 1/4-28
6	3400384	8	WASHER, 5/16 BELLEVILLE
7	600125	1	CATCH, PARKING BRAKE
8	600128-1	1	WELDMENT, FLOOR
9	600133	1	PAD, FLOOR
10	600134	1	BRACKET, F/R PEDAL
11	600135	1	PEDAL, F/R
12	600136	1	CABLE, DIR CONTROL
13	600175	1	ROD END, FEM 1/4-28
14	600578	1	RUE-RING, .50
15	600934	4	NUT, M8-1.25 FLNG
16	620027	1	PIN, CLEVIS 1/2 X 4.50
17	620033	1	BOLT, M8-1.25 X 65 HH
18	711377	1	NUT, FIBER INSERT 1/4-20
19	713003	1	SCREW, 1/4-20 X 1.00 HH
20	717024	8	BOLT, M8-1.25 X 20 HH
21	PART OF 600136	2	NUT, 5/8-18 JAM
22	PART OF 60136	2	LOCK WASHER

PUMP LINKAGE GROUP (600608)

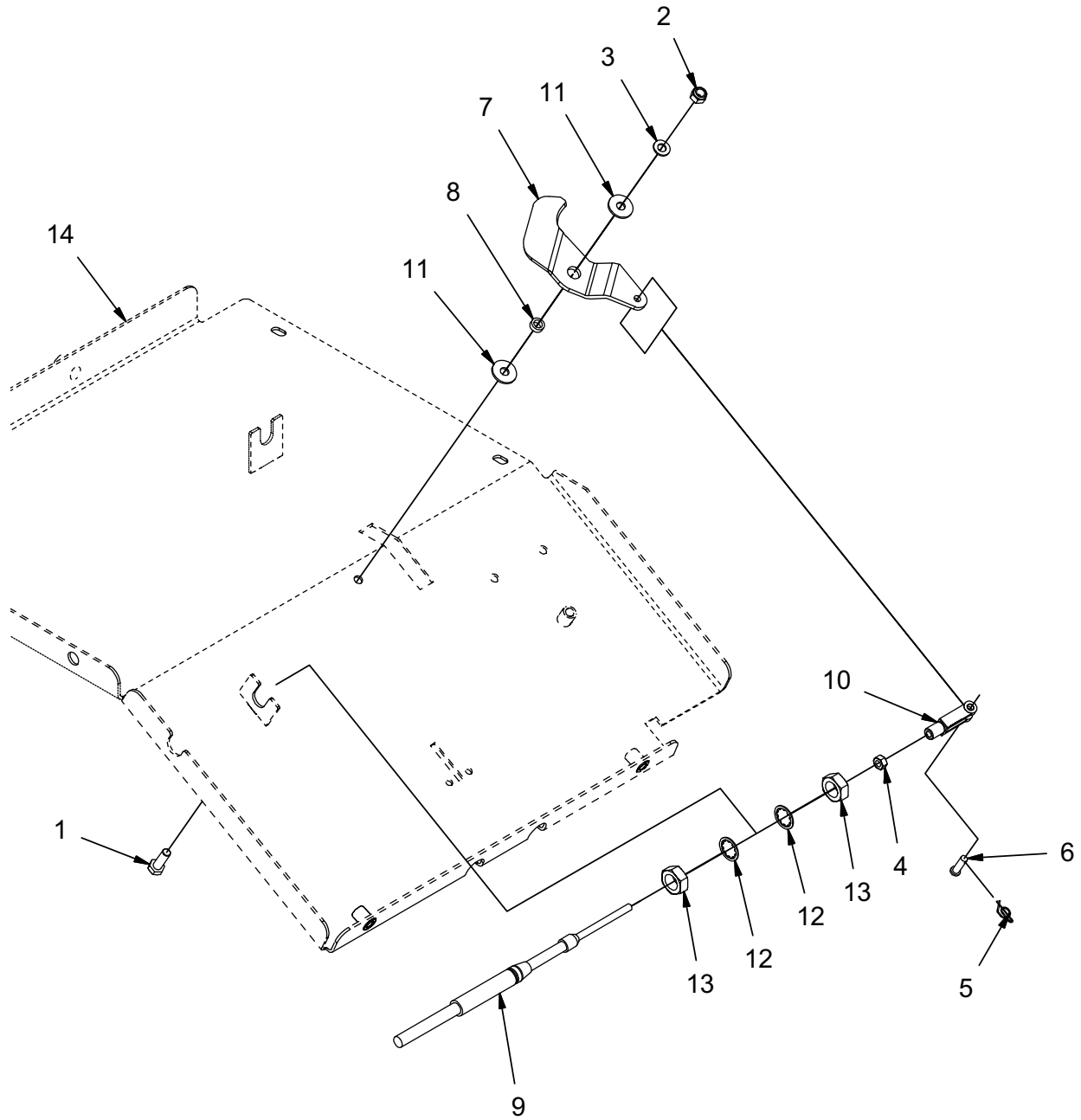


REV B

PUMP LINKAGE GROUP (600608)

Parts List			
ITEM	PART NUMBER	QTY	DESCRIPTION
1	11038346	2	BOLT, M10-1.50 X 25 HH
2	11038395	3	BOLT, M10-1.50 X 40 HH
3	12022067	3	NUT, M10-1.50 HEX
4	12040069	3	NUT, M10-1.50 ESN
5	3300465	3	ISOLATOR, VIB
6	3400101	1	LOCK WASHER, 3/8 HS MED
7	3400180	1	NUT, 1/4-28
8	3400384	1	WASHER, 5/16 BELLEVILLE
9	3400385	2	WASHER, 3/8. BELLEVILLE
10	600141	1	WELDMENT, DIR CONT HUB
11	600175	1	ROD END, FEM 1/4-28
12	600363	3	WASHER, ISOLATOR
13	600895	1	BOLT, 5/16-24 X .75 SHCS
14	600936	2	NUT, M10-1.50 FLNG
15	600945	1	LOCK WASHER, M10
16	710987	1	SCR-SHCS 3/8-16 X 1.50 ZP
17	711377	1	NUT, FIBER INSERT 1/4-20
18	713003	1	SCREW, 1/4-20 X 1.00 HH
19	713044	1	SCREW, 3/8-16 X 1.500 HHC
20	730426	1	ADJUSTER, HYDROBACK
21	730427	1	MOUNT, HYDROBACK
22	730451	1	ARM, DIR CONT
23	730481	1	BOLT, M10-1.50 X 60 HH ALL-THRD
24	731181	1	HYDROBACK CENTERING UNIT, 10 LB
25	PART OF CABLE ASSY	2	LOCK WASHER
26	PART OF CABLE ASSY	1	NUT, 5/8-18 JAM
27	REF.	-	PUMP, PROPULSION
28	REF.	-	CABLE, PUSH-PULL
29	WITH PUMP	1	KEY

SPEED RESTRICTION GROUP - 1 (600684)

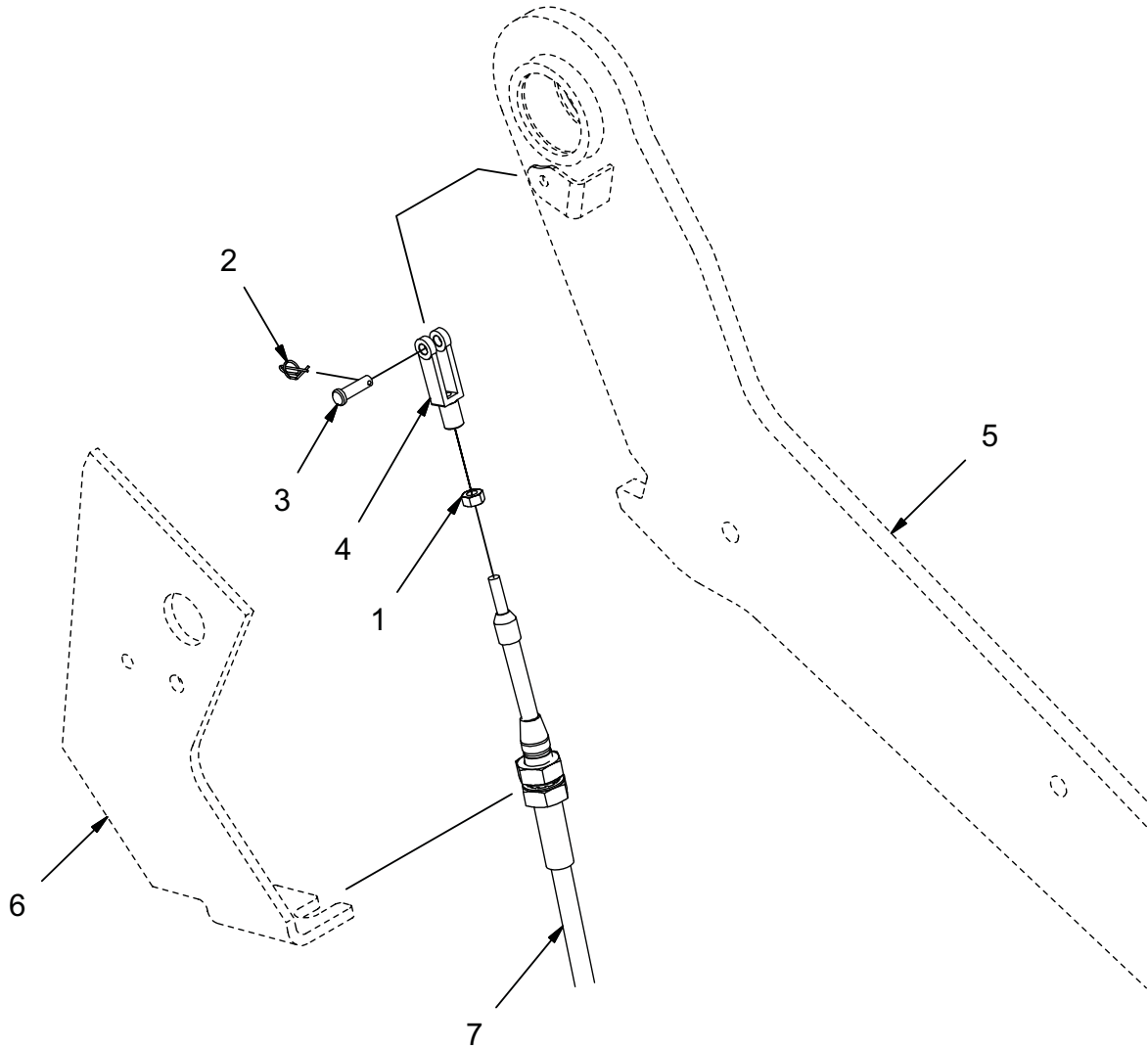


REV *

SPEED RESTRICTION GROUP - 1 (600684)

Parts List			
ITEM	PART NUMBER	QTY	DESCRIPTION
1	11038247	1	BLT-HH M8-125 X 25 STL ZINC
2	12040051	1	NUT, M8-1.25 ESN
3	12310041	1	WASHER, M8
4	3400180	1	NUT, 1/4-28
5	3400742	1	RUE-RING, .25
6	3400932	1	PIN, CLEVIS, .25 X .88
7	600137	1	BRACKET, PEDAL STOP
8	600138	1	SPACER, .328 B .500 OD .188 T
9	600139	1	CABLE, SPEED LIMIT
10	600176	1	CLEVIS, FEM, 1/4-28
11	600940	2	WASHER, M8 FENDER
12	PART OF 600139	2	LOCK WASHER
13	PART OF 600139	2	NUT, 5/8-18 JAM
14	REF.	-	FLOOR PANEL

SPEED RESTRICTION GROUP - 2 (600684)

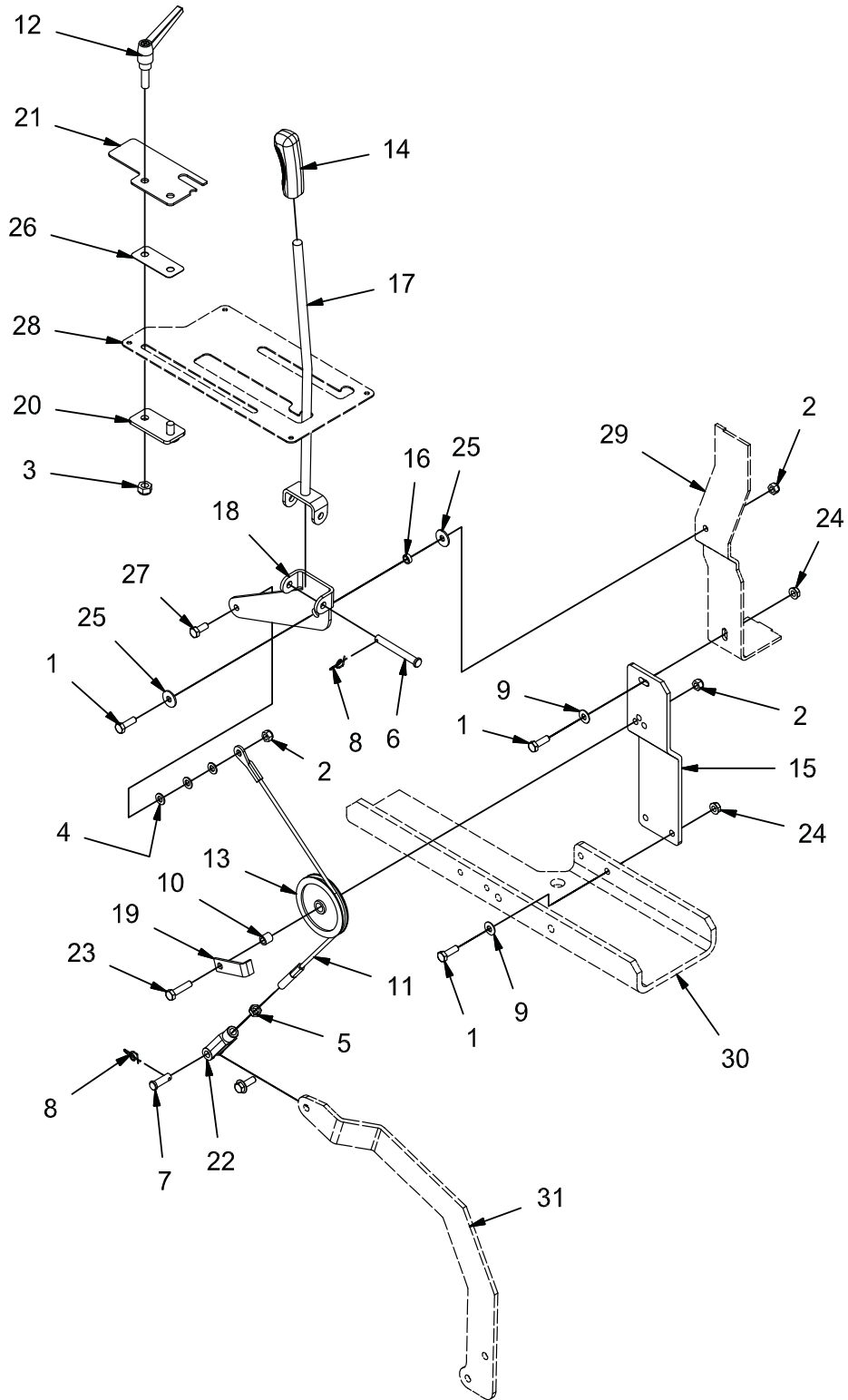


REV *

SPEED RESTRICTION GROUP - 2 (600684)

Parts List			
ITEM	PART NUMBER	QTY	DESCRIPTION
1	3400180	1	NUT, 1/4-28
2	3400742	1	RUE-RING, .25
3	3400932	1	PIN, CLEVIS, .25 X .88
4	600176	1	CLEVIS, FEM, 1/4-28
5	REF	-	HOPPER LIFT ARM
6	REF	-	FRAME
7	REF 600139	-	CABLE, SPEED LIMIT

MAIN BROOM LIFT GROUP (600660)

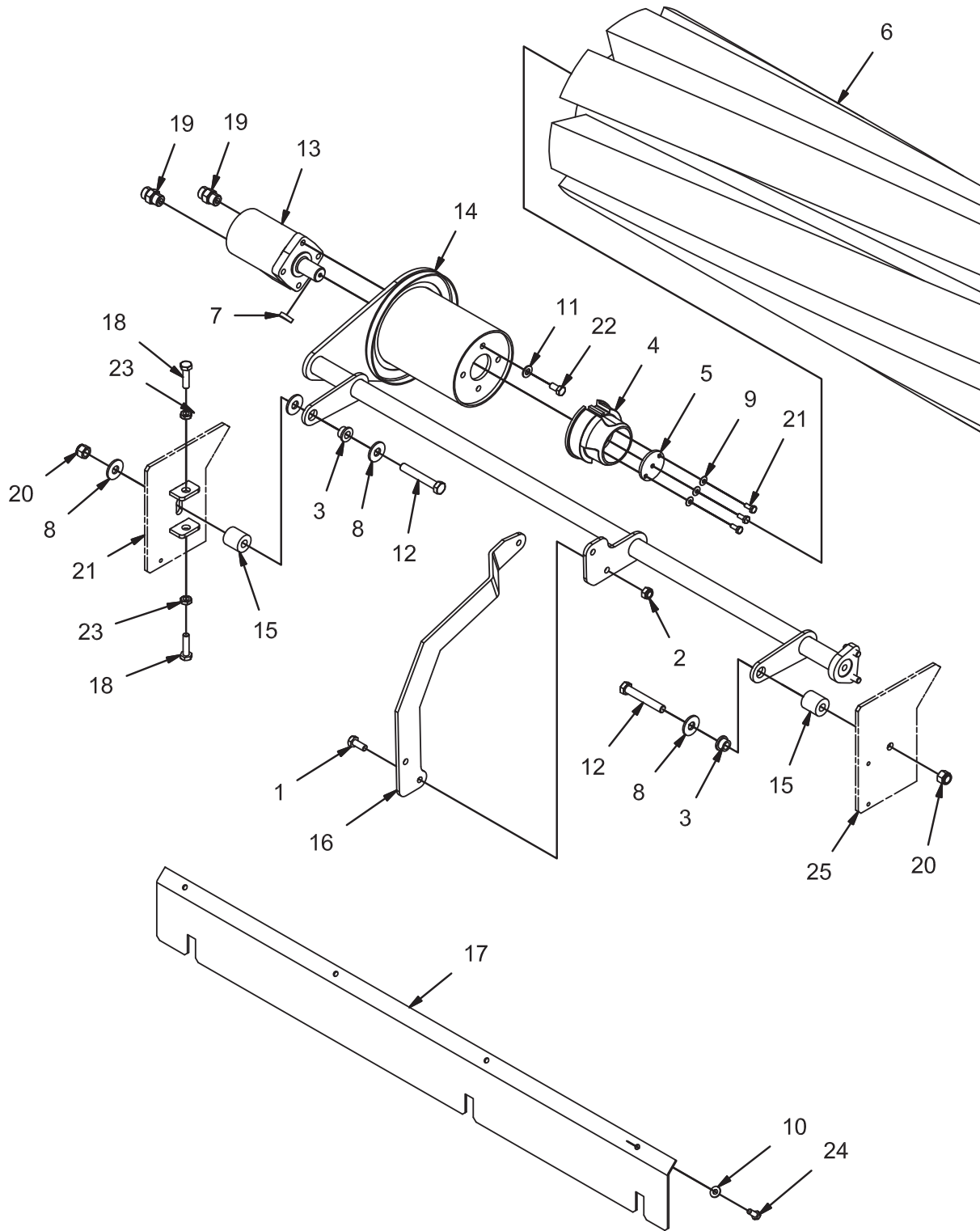


REV E

MAIN BROOM LIFT GROUP (600660)

Parts List			
ITEM	PART NUMBER	QTY	DESCRIPTION
1	11038247	4	BLT-HH M8-125 X 25 STL ZINC
2	12040051	3	NUT, M8-1.25 ESN
3	12040069	1	NUT, M10-1.50 ESN
4	12310041	3	WASHER, M8
5	3400075	1	NUT, HEX JAM 3/8-24
6	3400115	1	PIN, CLEVIS, .375 X 3.00
7	3400117	1	PIN, CLEVIS 3/8 X 1.125
8	3400125	2	RUE-RING, .375
9	3400384	3	WASHER, 5/16 BELLEVILLE
10	600114	1	SPACER, .328 B .498 OD .500 T
11	600172	1	CABLE, 18.56 OAL
12	600260	1	KNOB, LEVER
13	600261	1	PULLEY, .50 B. 3.00 D, .44 T
14	600264	1	HANDLE GRIP, CONTOURED
15	600464	1	BRACKET, MB PULLEY
16	600528	1	SPACER, .344 B .496 OD .189 T
17	600545	1	WELDMENT, MB LEVER
18	600548	1	MB LEVER ARM
19	600549	1	RETAINER, 3.0 CABLE
20	600550	1	WELDMENT, MB LOCK
21	600552	1	MB ADJ PLT
22	600813	1	CLEVIS, 3/8-24
23	600918	1	BOLT, M8-125 X 35 HH
24	600934	3	NUT, M8-1.25 FLNG
25	600940	2	WASHER, M8 FENDER
26	600998	1	PLATE, SLIDE
27	717024	1	BOLT, M8-1.25 X 20 HH
28	REF	-	PLATE, WEAR
29	REF	-	CONSOLE
30	REF	-	FRAME
31	REF	-	MB ARM

MAIN BROOM LIFT GROUP (600632-1)

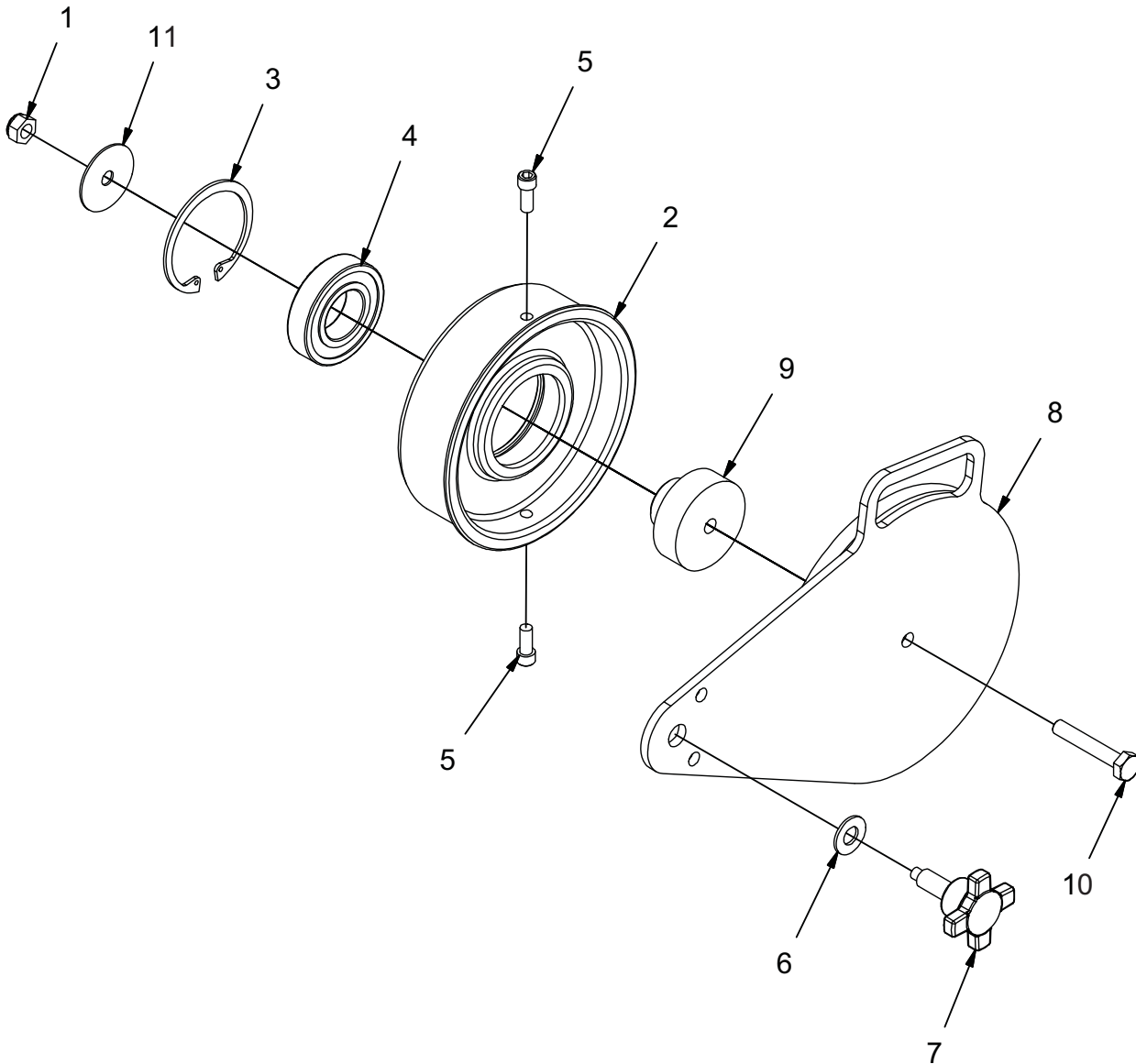


REV *

MAIN BROOM LIFT GROUP (600632-1)

Parts List 600632-1			
ITEM	PART NUMBER	QTY	DESCRIPTION
1	11038346	2	BOLT, M10-1.50 X 25 HH
2	12040069	2	NUT, M10-1.50 ESN
3	3300432	2	BUSHING, FLANGE
4	3301050P	1	HUB, MAIN BROOM DRIVE
5	3301285	1	RETAINER, MAIN BROOM DRIVE HUB
6	3305663	-	MAIN BROOM
7	3330338	1	KEY, WOODRUFF .25 X .5
8	3400086	4	WASHER, 1/2, 1.063 X .531 X .094
9	3400383	3	WASHER, 1/4 BELLEVILLE
10	3400384	4	WASHER, 5/16 BELLEVILLE
11	3400385	4	WASHER, 3/8. BELLEVILLE
12	3400761	2	BOLT, 1/2-13 X 3.25 HHC
13	600267	1	MOTOR, 2.8 DISP
14	600290	1	WELDMENT, MAIN BROOM ARM
15	600520	2	SPACER, .531 B 1.25 OD 1.31 T
16	600561	1	ARM, MB LIFT
17	600562	1	GUARD, MB SHAFT
18	600962	2	BOLT, M10-1.50 X 40 HH FULL THRD
19	675524	2	FITTING, STR, -8 ORFS - 8 SAE
20	711376	2	NUT, FIBER INSERT 1/2-13
21	713001	3	SCREW, 1/4-20 X .625 HHC
22	713041	4	SCREW, 3/8-16 X .750 HHC
23	717014	2	NUT, M10-1.50 JAM
24	717024	4	BOLT, M8-1.25 X 20 HH
25	REF.	1	FRAME

IDLER ARM GROUP (600631)

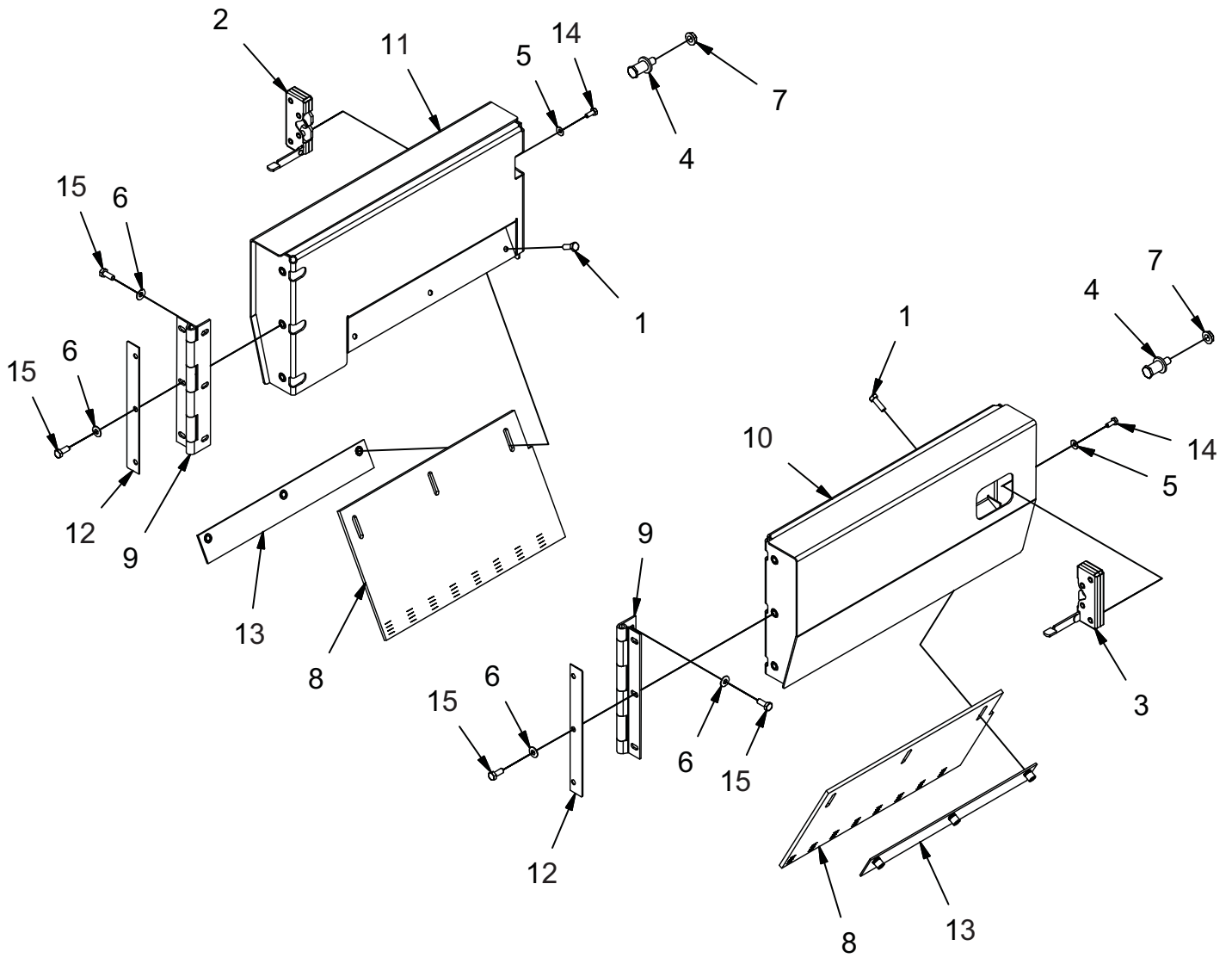


REV A

IDLER ARM GROUP (600631)

Parts List			
ITEM	PART NUMBER	QTY	DESCRIPTION
1	12040069	1	NUT, M10-1.50 ESN
2	3305642	1	IDLER, MAIN BROOM
3	3305666	1	RING, RETAINING, INT
4	3305667	1	BEARING, BALL, 207PP
5	3400047	2	BOLT, 5/16-18 X .75 SHCS
6	3400387	1	WASHER, .50 CONICAL
7	3400748	1	KNOB
8	600298	1	WELDMENT, MB IDLER ARM
9	600544	1	MOUNT, BEARING
10	600925	1	BOLT, M10-1.50 X 60 HH
11	712768	1	WSR-FLT .406 X 1.875 SS

MAIN BROOM DOOR GROUP (600640)

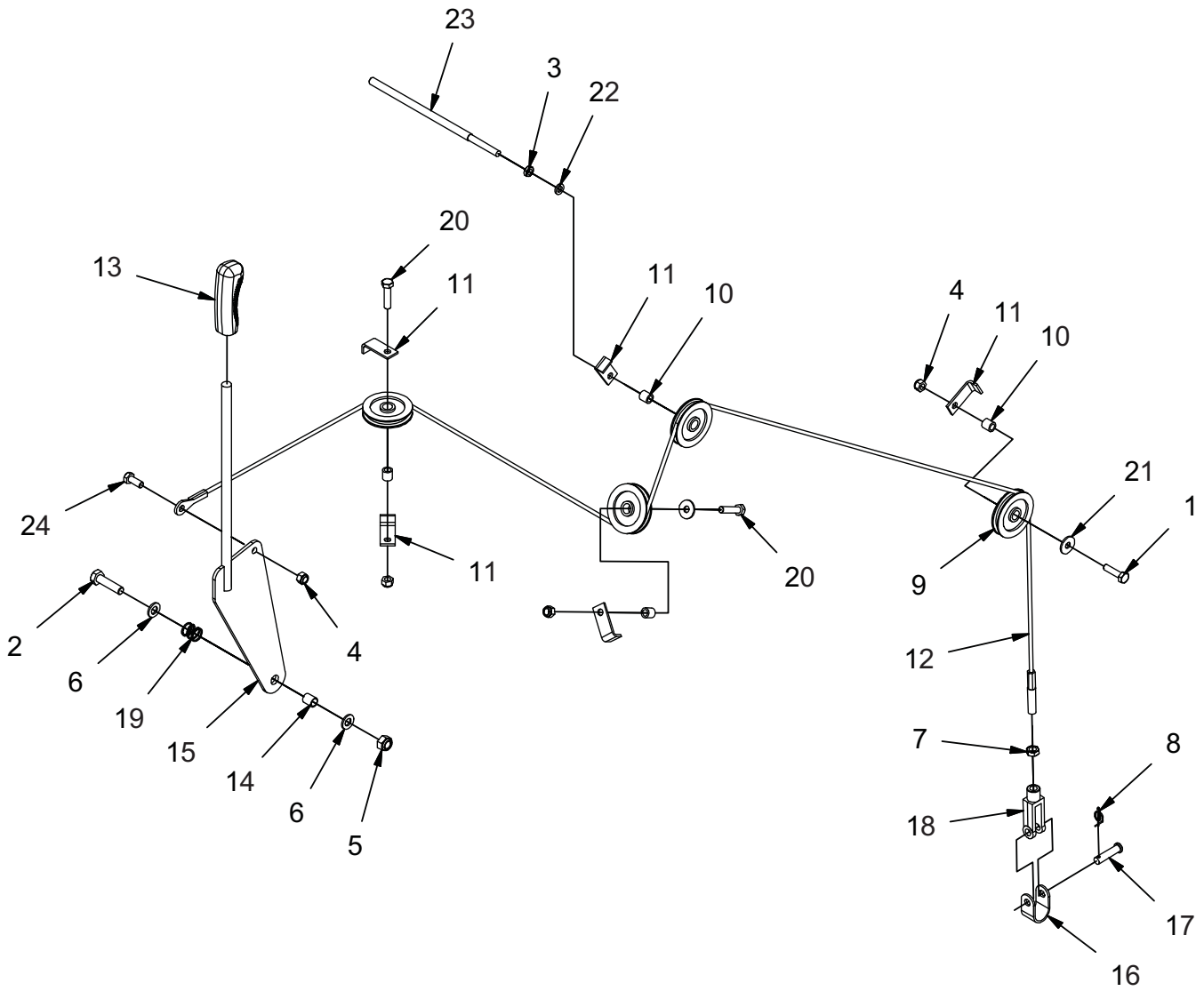


REV *

MAIN BROOM DOOR GROUP (600640)

Parts List			
ITEM	PART NUMBER	QTY	DESCRIPTION
1	11038247	6	BLT-HH M8-125 X 25 STL ZINC
2	3307246	1	LATCH, LH
3	3307247	1	LATCH, RH
4	3307248	2	STRIKER-LATCH
5	3400383	4	WASHER, 1/4 BELLEVILLE
6	3400384	12	WASHER, 5/16 BELLEVILLE
7	3400394	2	NUT, 7/16-14 FLNG
8	600227	2	SKIRT, SIDE DOOR
9	600259	2	HINGE, MB
10	600307-1	1	ASSEMBLY, MB DOOR, RH
11	600311-1	1	ASSEMBLY, MB DOOR, LH
12	600314	2	BAR, COVER
13	600316-1	2	ASSEMBLY, DOOR SKIRT RETAINER
14	713001	4	SCREW, 1/4-20 X .625 HHC
15	717024	12	BOLT, M8-1.25 X 20 HH

SIDE BROOM LIFT GROUP (600665)

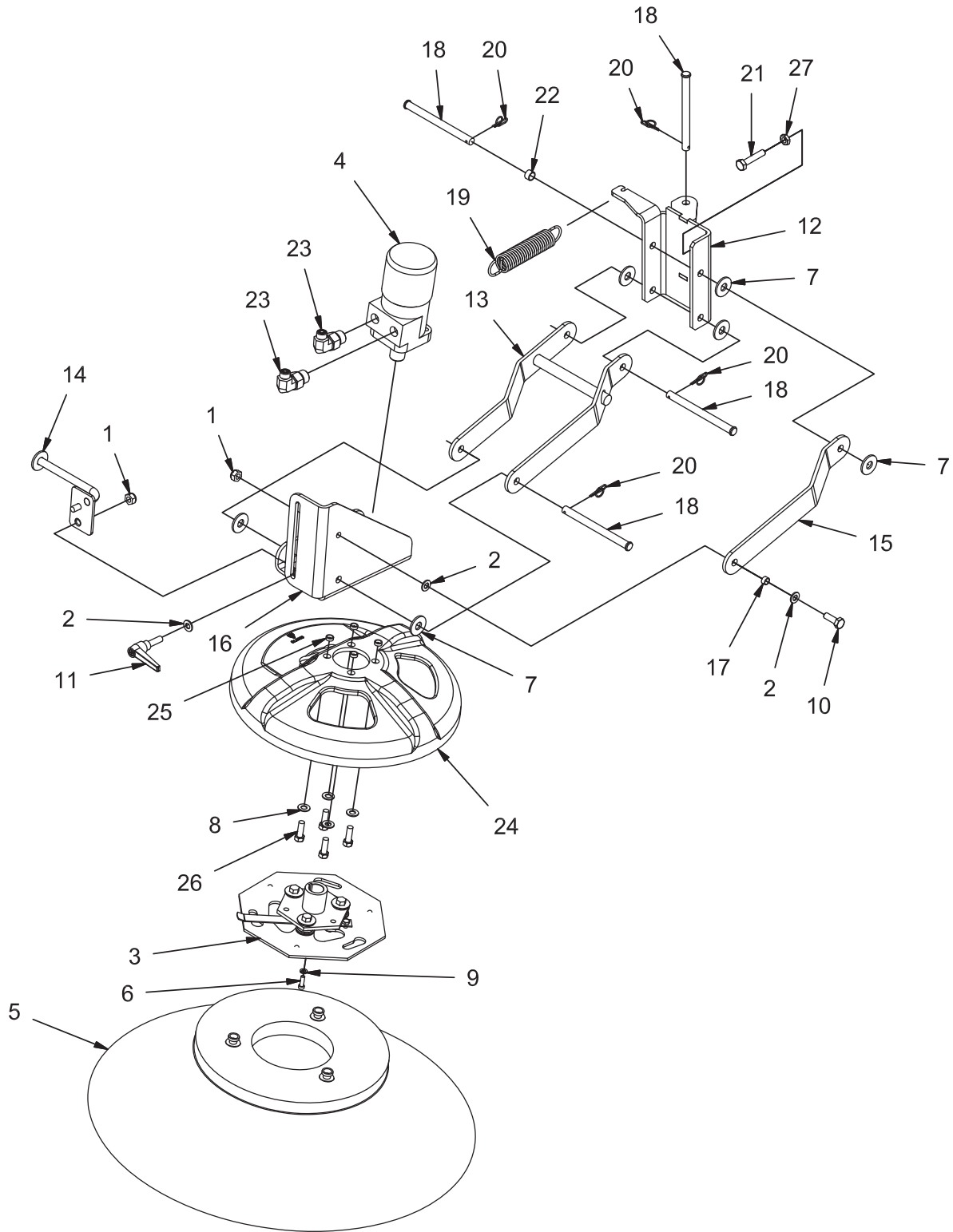


REV A

SIDE BROOM LIFT GROUP (600665)

Parts List			
ITEM	PART NUMBER	QTY	DESCRIPTION
1	11038254	1	BOLT, M8-125 X 30 HH
2	11038395	1	BOLT, M10-1.50 X 40 HH
3	12012019	1	NUT, M8-1.25 JAM
4	12040051	4	NUT, M8-1.25 ESN
5	12040069	1	NUT, M10-1.50 ESN
6	12310058	2	WASHER, M10
7	3400075	1	NUT, HEX JAM 3/8-24
8	3400125	1	RUE-RING, .375
9	600113	4	PULLEY, .50 B, 2.00 D, .44 T
10	600114	4	SPACER, .328 B .498 OD .500 T
11	600115	5	RETAINER, CABLE
12	600173	1	CABLE, 81.88 OAL
13	600264	1	HANDLE GRIP, CONTOURED
14	600525	1	SPACER, .406 B .50 OD .57 T
15	600555	1	WELDMENT, SB LEVER
16	600558	1	BRACKET
17	600573	1	PIN, CLEVIS, 3/8 X 1.50
18	600813	1	CLEVIS, 3/8-24
19	600815	1	SPRING, COMP
20	600918	2	BOLT, M8-125 X 35 HH
21	600940	2	WASHER, M8 FENDER
22	600959	1	LOCK WASHER, M8
23	620086	1	BAR, WIRE RETAINER
24	717024	1	BOLT, M8-1.25 X 20 HH

SIDE BROOM GROUP W/ SHROUD (620732)

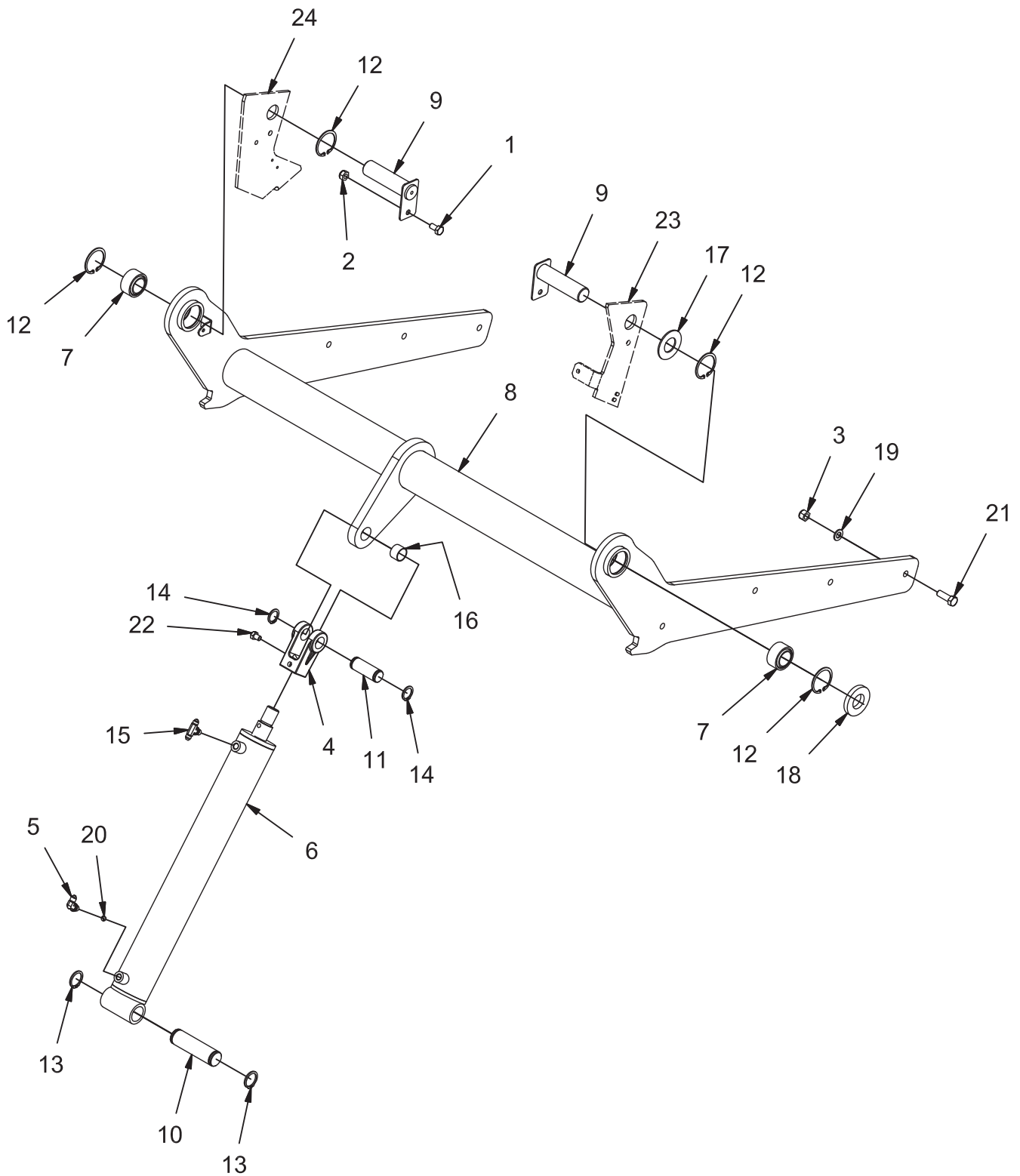


REV B

SIDE BROOM GROUP W/SHROUD (620732)

Parts List - 620732			
ITEM	PART NUMBER	QTY	DESCRIPTION
1	12040069	2	NUT, M10-1.50 ESN
2	12310058	3	WASHER, M10
3	3301474	1	ASSY- DRIVE SCRUB BRUSH CB SUB
4	3316897	1	MOTOR-HYD CURB BRM
5	3339964	1	BROOM, SIDE 26" POLY
6	3400049	1	SCR-SHCS 1/4-20 X 0.75 BLK OX NYL PATCH
7	3400086	6	WASHER, 1/2, 1.063 X .531 X .094
8	3400087	4	WASHER-FLAT 3/8 ZP
9	3400103	1	LOCK WASHER, 1/4 HS MED
10	3401051	1	BOLT, M10-1.50 X 30 HH
11	600260	1	KNOB, LEVER
12	600300	1	WELDMENT, SB PIVOT
13	600303	1	WELDMENT, SB TRAILING ARM
14	600318	1	WELDMENT, SB ADJ
15	600325	1	SB LINK
16	600326	1	SB MOTOR MNT
17	600327	1	SPACER, .406 B .50 OD .280 T
18	600571	4	PIN, CLEVIS 1/2 X 6.00
19	600572	1	SPRING, EXT, .14 W 1.25 OD 6.50 L
20	600578	4	RUE-RING, .50
21	600926	1	BOLT, M10-1.50 X 80 HH ALL-THRD
22	600993	1	SPACER, .516 B .625 OD .375 T
23	675532	2	FITTING, 90, 6 ORFS - 10 SAE
24	690773	1	SHROUD, SIDE BROOM
25	690784	4	SPACER- .500 OD, .382 ID, .188 THK, ALU
26	711251	4	SCR-HH 3/8-16 X 1.125 ZP GR 5
27	717014	1	NUT, M10-1.50 JAM

HOPPER LIFT GROUP (600691-1)

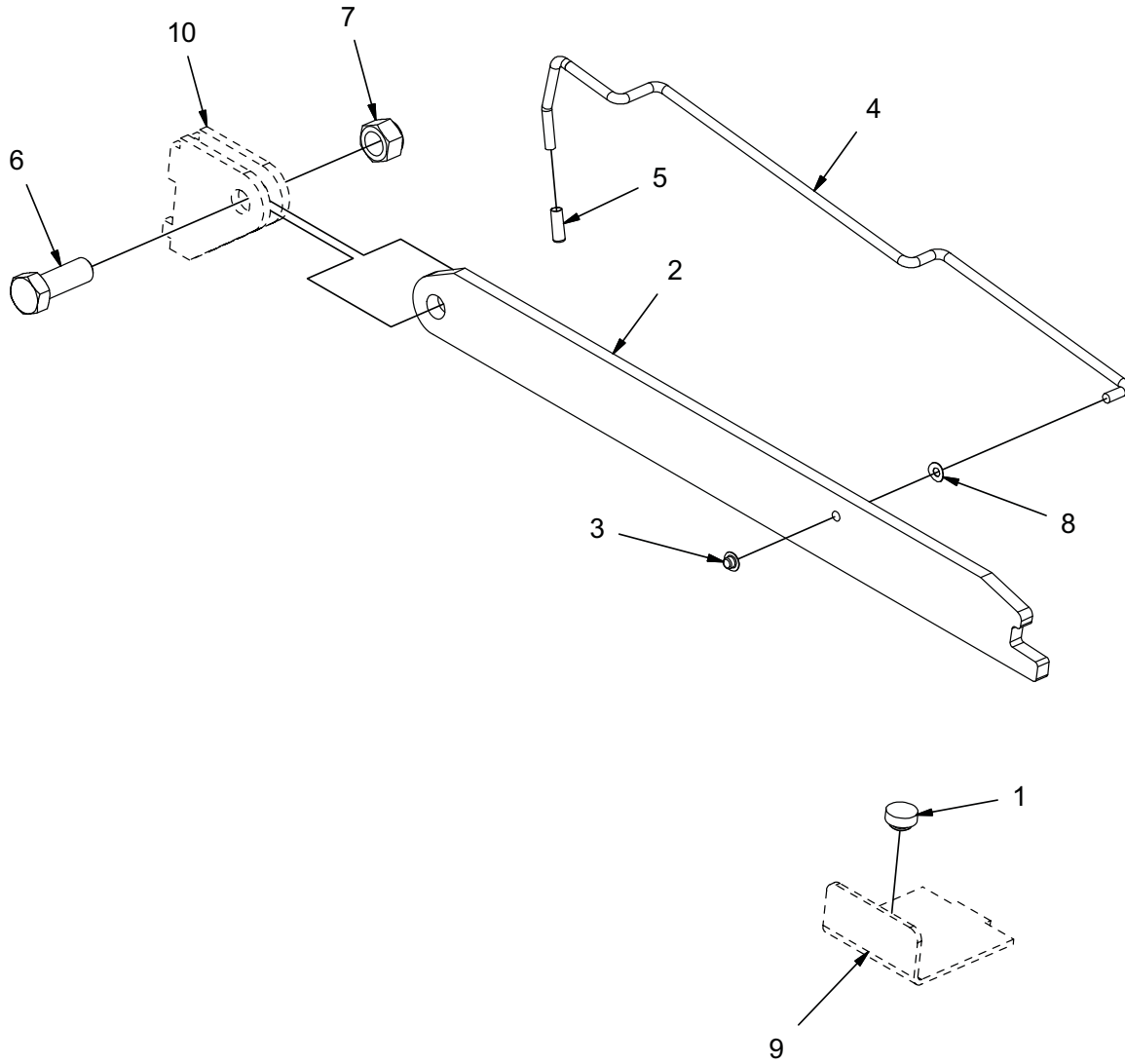


REV C

HOPPER LIFT GROUP (600691-1)

Parts List			
ITEM	PART NUMBER	QTY	DESCRIPTION
1	11038353	2	BOLT, M10-1.50 X 20 HH
2	12040069	2	NUT, M10-1.50 ESN
3	12040077	6	NUT-NYLOC M12-1.75 STL ZINC
4	3339955	1	CLEVIS
5	675507	1	FTG-ORFS 90 ELBOW -4 -4 SAE
6	600104	1	CYLINDER, HOPPER LIFT
7	600109	2	BEARING, SPHERICAL
8	600270	1	ARM, HOPPER LIFT
9	600276	2	WELDMENT, PIVOT PIN
10	600331	1	PIN, LOWER CYLINDER
11	600332	1	PIN, UPPER CYLINDER
12	600575	4	RING, RETAINING INT, 2.00
13	600576	2	RING, RETAINING EXT, 1.25 HD
14	600577	2	RETAINING RING, EXT, 1.00 HD
15	675556	1	FTG-ORFS TEE BRANCH -4 -4 -4 SAE
16	600801	1	BEARING, FIBERGLIDE 1.00 ID .75 T
17	600802	1	WASHER, HOPPER PIVOT, THIN
18	600803	1	WASHER, HOPPER PIVOT, THK
19	600950	6	WASHER, M12
20	675548	1	RESTRICTOR .062
21	620034	6	BOLT, M12-1.75 X 35 HH
22	620088	1	BOLT, 3/8-24 X .50 HH ZP
23	REF.	-	FRAME
24	REF.	-	FRAME

HOPPER SAFETY ARM GROUP (600686)



REV *

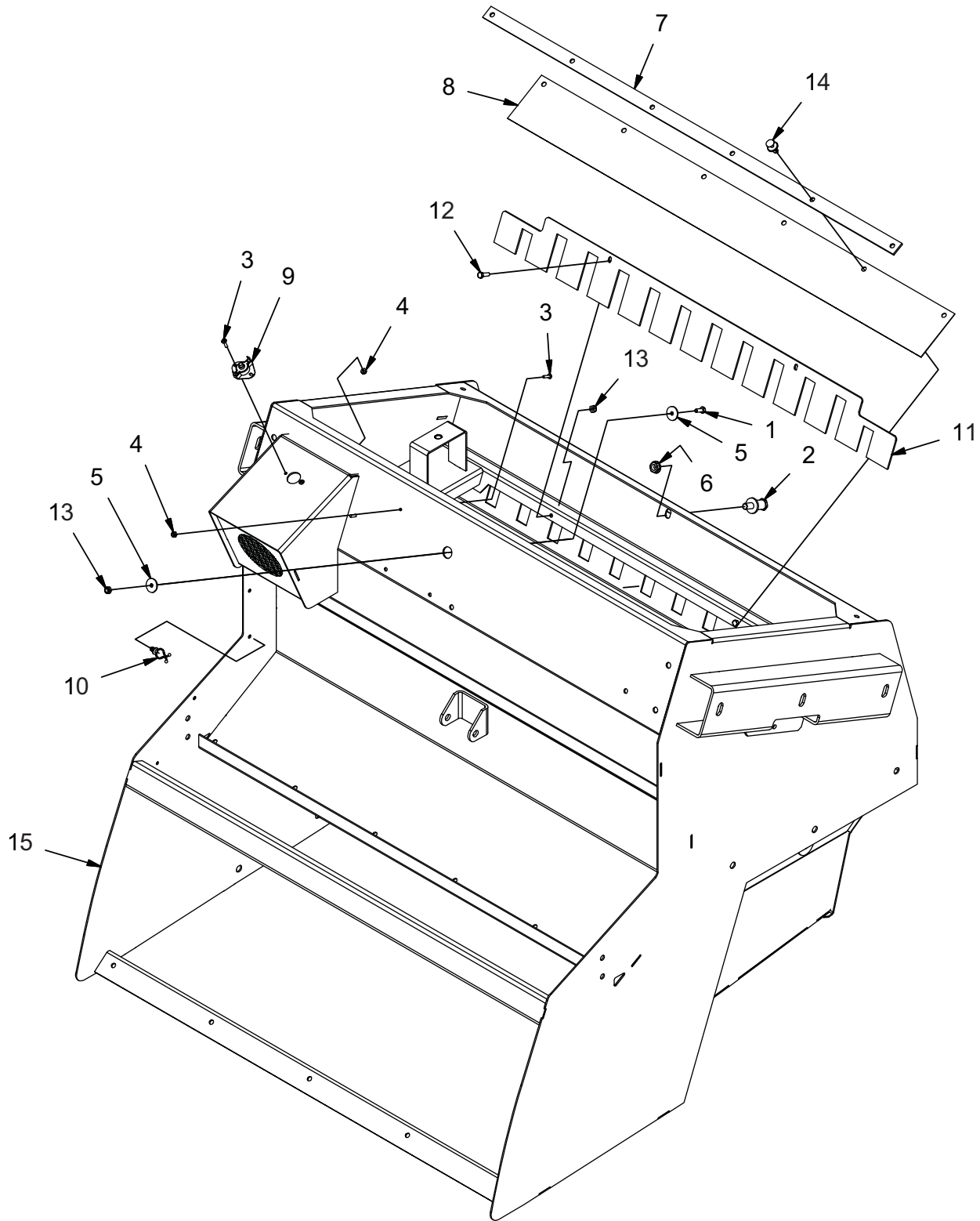
HOPPER SAFETY ARM GROUP (600686)

Parts List			
ITEM	PART NUMBER	QTY	DESCRIPTION
1	600117	1	BUMPER, 1.00 X .339 T
2	600196	1	SAFETY ARM
3	600481	1	AXLE CAP NUT, .313
4	600886	1	WELDMENT, SAFETY ARM LIFT
5	600910	1	CAP
6	600929	1	BOLT, M20-2.50 X 55 HH
7	600935	1	NUT, M20-2.50 ESN
8	600947	1	WASHER, .313 CURVED SPRING
9	REF.	-	FRAME
10	REF.	-	FRAME

DUAL FILTER HOPPER SKIRTS, SEALS-SSB (620291)

Parts List			
ITEM	PART NUMBER	QTY	DESCRIPTION
1	600220	1	BUMPER 1.00X0.625T
2	600230	1	SKIRT HOPPER LIP
3	600231	1	SKIRT HOPPER SIDE
4	600344	1	RETAINER HOPPER SIDE SKIRT,ZP
5	600345	1	RETAINER HOPPER FLAP,ZP
6	600346	1	ANGLE HOPPER LIP,ZP
7	600521	1	SEAL, HOPPER EXHAUST
8	600563	1	EDG HPR ACSS (48.25")
9	600917	5	SCR-BHSCS M8-1.25 X 25 SS
10	620274-1	1	ASSEMBLY, HOPPER, DUAL FILTER, SGL SB
11	620290	1	EDG HOP CVR (113.50")
12	711319	2	NUT-HEX 5/16-18 ZP
13	717030	4	SCR-HH M8-1.25 X 20 SS
14	3400102	2	WASHER-LOCK 5/16 SPLIT ZP
15	12040259	5	NUT-NYLOC M8 X 1.25 SS

HOPPER ASSEMBLY GROUP (600623)

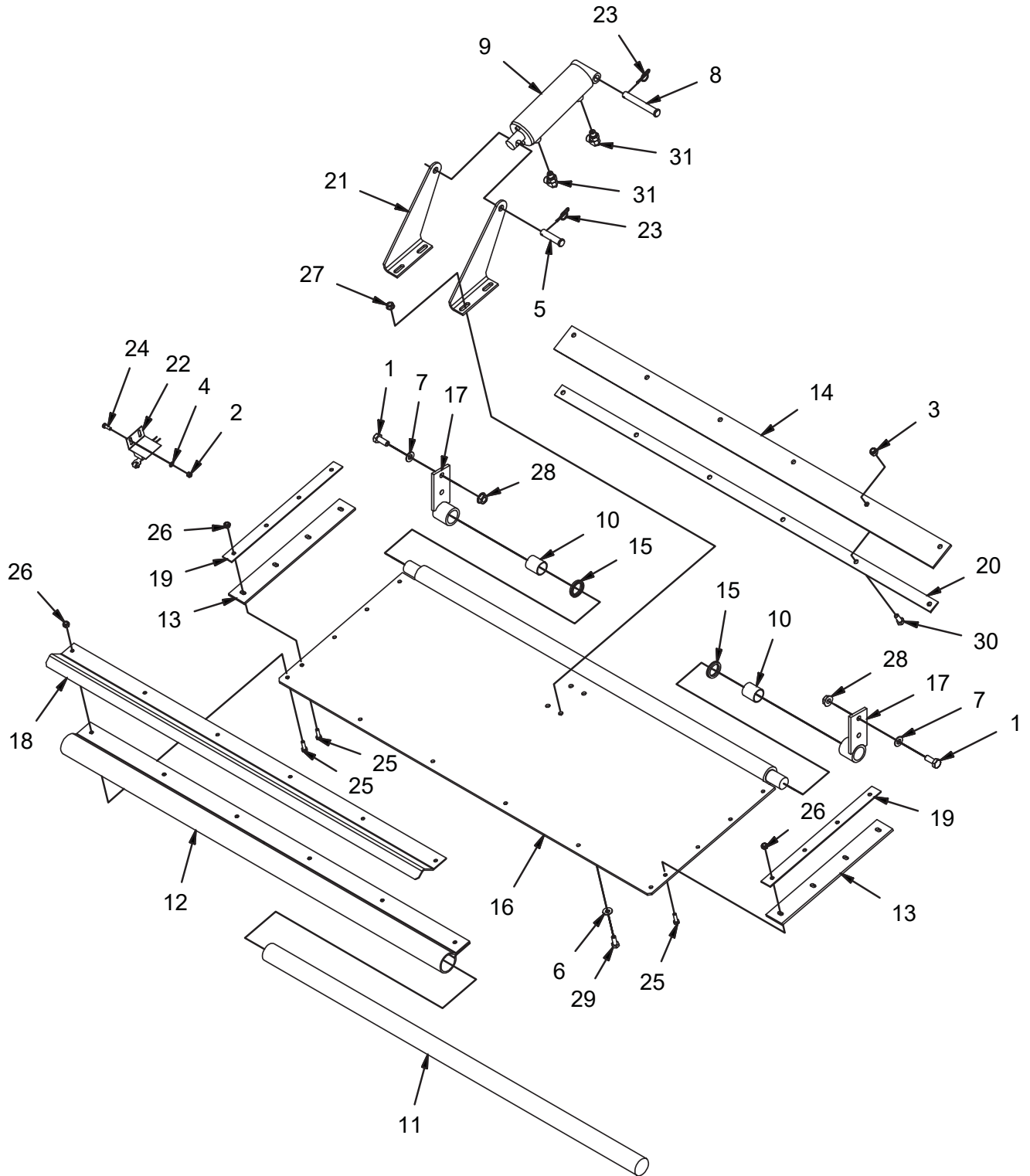


REV C

HOPPER ASSEMBLY GROUP (600623)

Parts List			
ITEM	PART NUMBER	QTY	DESCRIPTION
1	11132065	1	BOLT, M6-100 X 16 HH
2	3307248	1	STRIKER-LATCH
3	3400045	4	SCREW, #8-32 X .625 PAN HD ZP
4	3400082	4	NUT, FIBER INSERT #8-32
5	3400090	2	WASHER, FENDER, 1/4 ZP
6	3400394	1	NUT, 7/16-14 FLNG
7	600355	1	RETAINER, DOOR BAR SEAL
8	600522	1	FLAP, FILTER SEAL
9	600568	1	SWITCH, THERMOSTAT, 130
10	600581	9	CLAMP, WIRE CLIP
11	600810	1	PRE-FILTER PLATE
12	600913	2	BOLT, M6-100 X 20 HH SS
13	600933	3	NUT, M6-1.00 ESN SS
14	600965	6	FASTENER, PRESS-IN
15	REF.	-	HOPPER

HOPPER DUMP DOOR GROUP (600622-1)

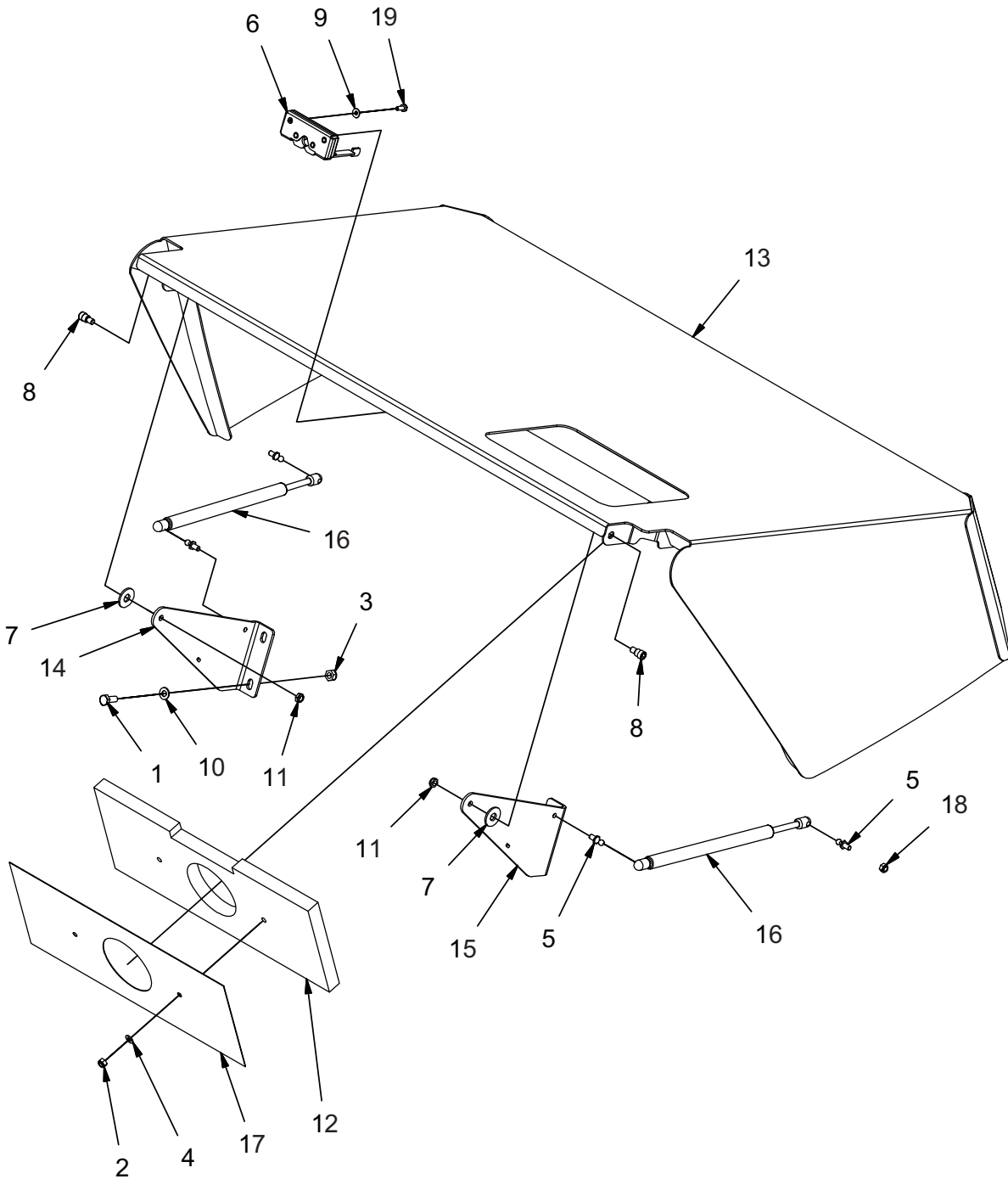


REV *

HOPPER DUMP DOOR GROUP (600622-1)

Parts List 600622-1			
ITEM	PART NUMBER	QTY	DESCRIPTION
1	11038346	4	BOLT, M10-1.50 X 25 HH
2	12040036	2	NUT, M5 - 0.8 ESN
3	12040259	6	NUT, M8-1.25 ESN SS
4	12310025	2	WASHER, M5
5	3308225	1	PIN, CLEVIS 1/2 X 2.00
6	3400384	4	WASHER, 5/16 BELLEVILLE
7	3400385	4	WASHER, 3/8. BELLEVILLE
8	3400788	1	PIN, CLEVIS 1/2 X 3.50
9	600106	1	CYLINDER, HOPPER DOOR
10	600174	2	BEARING, FIBERGLIDE 1.00 ID 1.25 T
11	600233	1	BULB, HOPPER DOOR
12	600234	1	SEAL, DUMP DOOR LIP
13	600235	2	SEAL, DUMP DOOR SIDE
14	600236	1	SEAL, DUMP DOOR BAR
15	600262	2	SEAL, LIP
16	600347	1	WELDMENT, DOOR, DUMP
17	600350	2	WELDMENT, PIVOT, HOPPER DOOR
18	600353	1	RETAINER, DOOR LIP SEAL
19	600354	2	RETAINER, DOOR SIDE SEAL
20	600355	1	RETAINER, DOOR BAR SEAL
21	600529	2	ARM, CYLINDER
22	600530-1	1	SWITCH, LIMIT
23	600578	2	RUE-RING, .50
24	600911	2	BOLT, M5-0.8 X 14 HH
25	600913	14	BOLT, M6-100 X 20 HH SS
26	600933	14	NUT, M6-1.00 ESN SS
27	600934	4	NUT, M8-1.25 FLNG
28	600936	4	NUT, M10-1.50 FLNG
29	717024	4	BOLT, M8-1.25 X 20 HH
30	717030	6	BOLT, M8-1.25 X 20 HH SS
31	675507	2	FITTING, 90, -4 ORFS - 4 SAE

HOPPER COVER GROUP (600625)

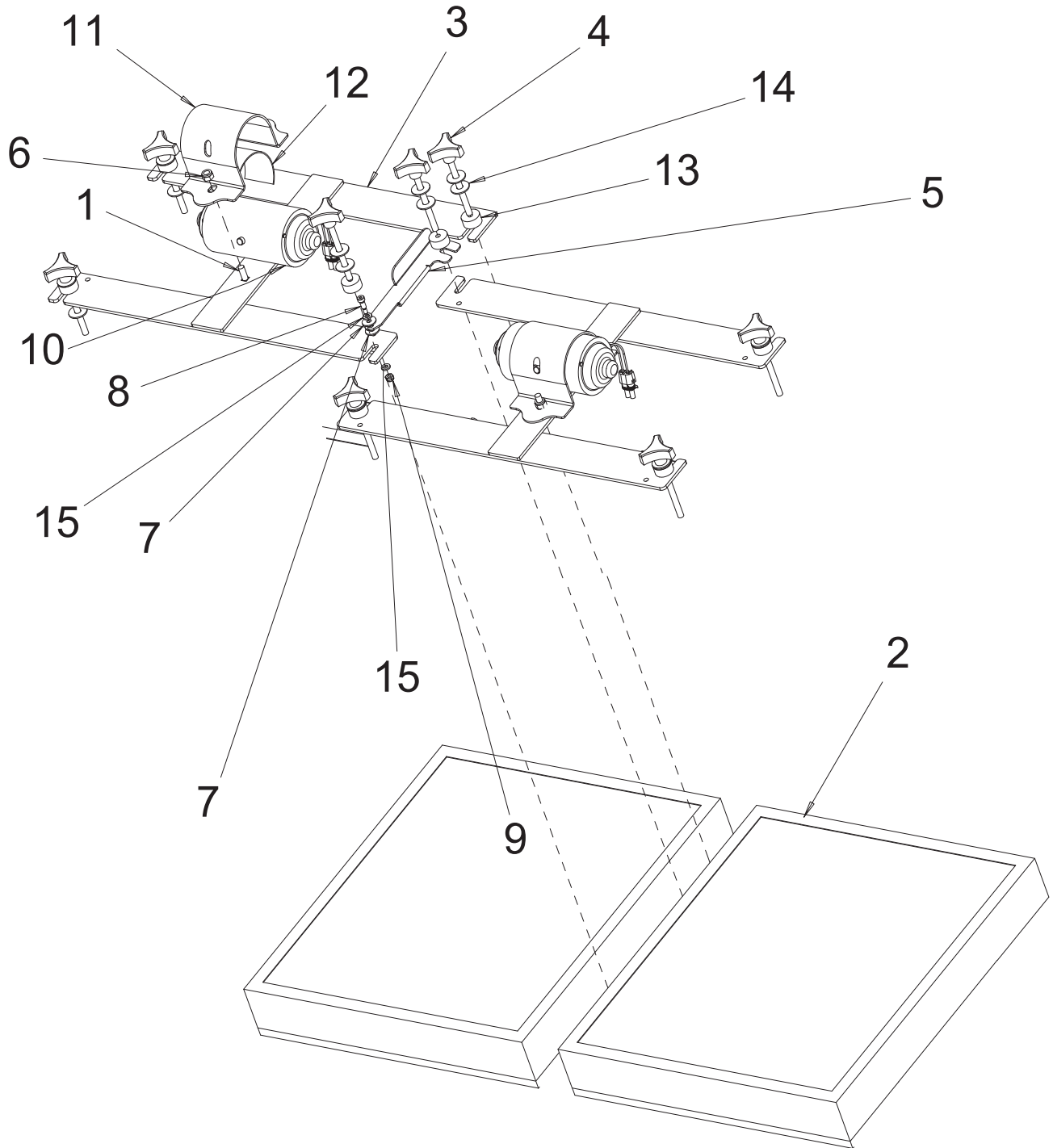


REV A

HOPPER COVER GROUP (600625)

Parts List			
ITEM	PART NUMBER	QTY	DESCRIPTION
1	11038346	4	BOLT, M10-1.50 X 25 HH
2	12040051	2	NUT, M8-1.25 ESN
3	12040069	4	NUT, M10-1.50 ESN
4	12310041	2	WASHER, M8
5	3300376	4	STUD, 10MM BALL
6	3307246	1	LATCH, LH
7	3400086	2	WASHER, 1/2, 1.063 X .531 X .094
8	3400170	2	BOLT, SHOULDER .500 X .500
9	3400383	2	WASHER, 1/4 BELLEVILLE
10	3400385	4	WASHER, 3/8. BELLEVILLE
11	3401028	2	NUT, FIBER INSERT 3/8-16 JAM
12	600237	1	SEAL, HOPPER ACCESS DOOR
13	600238	1	WELDMENT, HOPPER COVER
14	600249	1	PIVOT, COVER, LH
15	600250	1	PIVOT, COVER, RH
16	600509	2	GAS STRUT, 23.0 EXT X 9.8 STK
17	600523	1	COVER, SEAL
18	711374	4	NUT, FIBER INSERT 5/16-18
19	713001	2	SCREW, 1/4-20 X .625 HHC

DUAL FILTER/SHAKER HOPPER GROUP (600702)

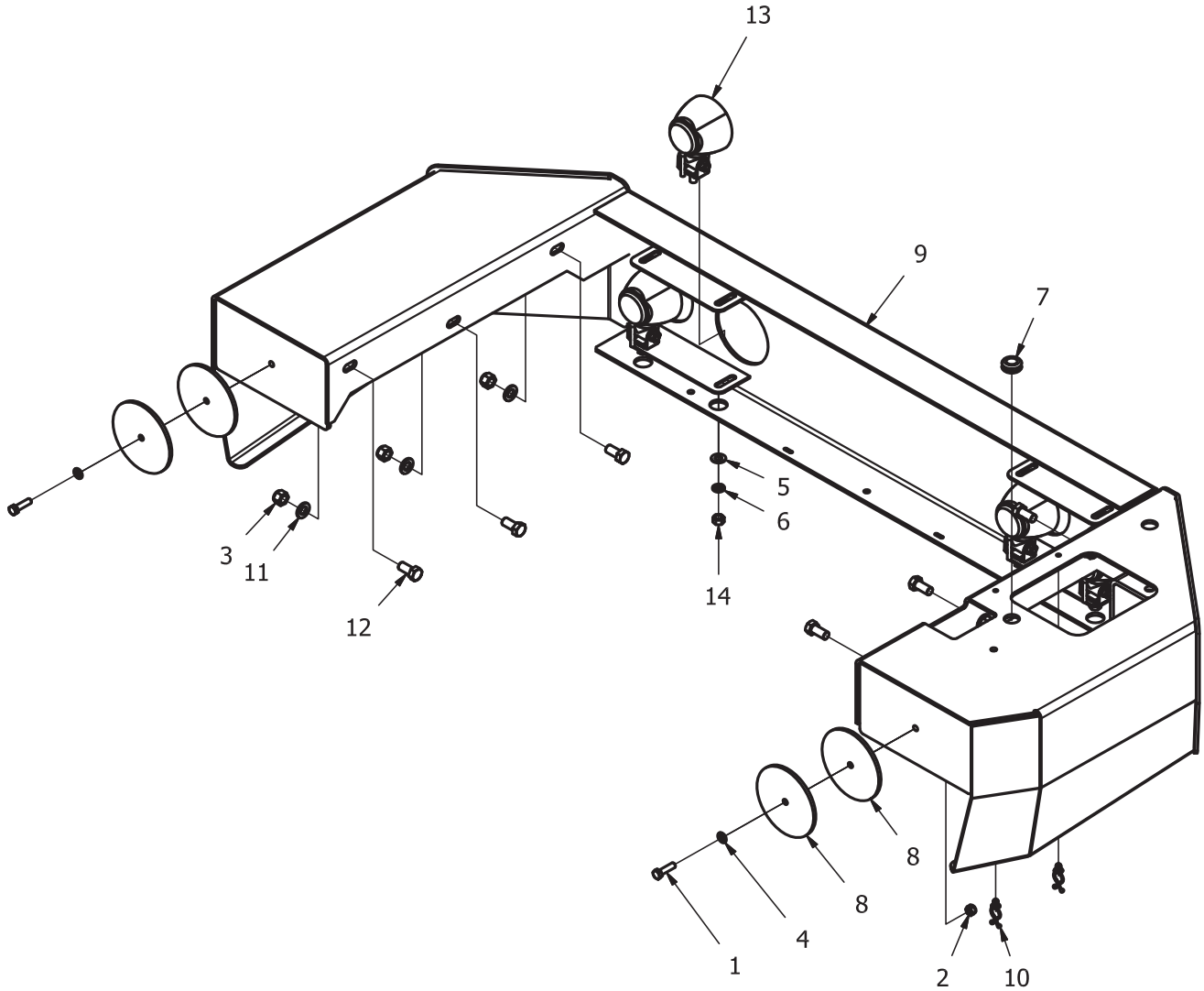


REV B

DUAL FILTER/SHAKER HOPPER GROUP (600702)

Parts List			
ITEM	PART NUMBER	QTY	DESCRIPTION
1	70-516-16	4	BLT-CARR 5/16-18 X 1 ZP
2	620265	2	FILTER-ATLAS (18 X 20 X 2.68 NOMINAL)
3	620285	2	WELDMENT, FILTER SHAKER
4	620292	8	KNOB ASSY, FILTER SHAKER
5	621290	1	KEEPER, FILTER SHAKER WELDMENT
6	711374	4	NUT-NYLOC 5/16-18 ZP
7	711550	2	WASHER-FLAT 1/4 X .75 NYLON
8	712151	1	BLT-SHOULDER 1/4 X .50 LG X 10-24 SS
9	712638	1	NUT-NYLOC 10-24 SS
10	748149-1	2	ASSY, SHAKER MOTOR W/CONNECTOR
11	750073	2	BRACKET SHAKER MOTOR
12	3300904	2	ISOLATOR-NEOPRENE, SHAKER MOTOR
13	3307850	8	ISOLATOR-RUBBER, .25IDx1ODx.50THK, SW/A
14	3400233	16	WASHER-FENDER 5/16 X 1.00 ZP
15	12310256	2	WSR-FLT 6.4X12X1.6, SS DIN125

BUMPER GROUP (600626)

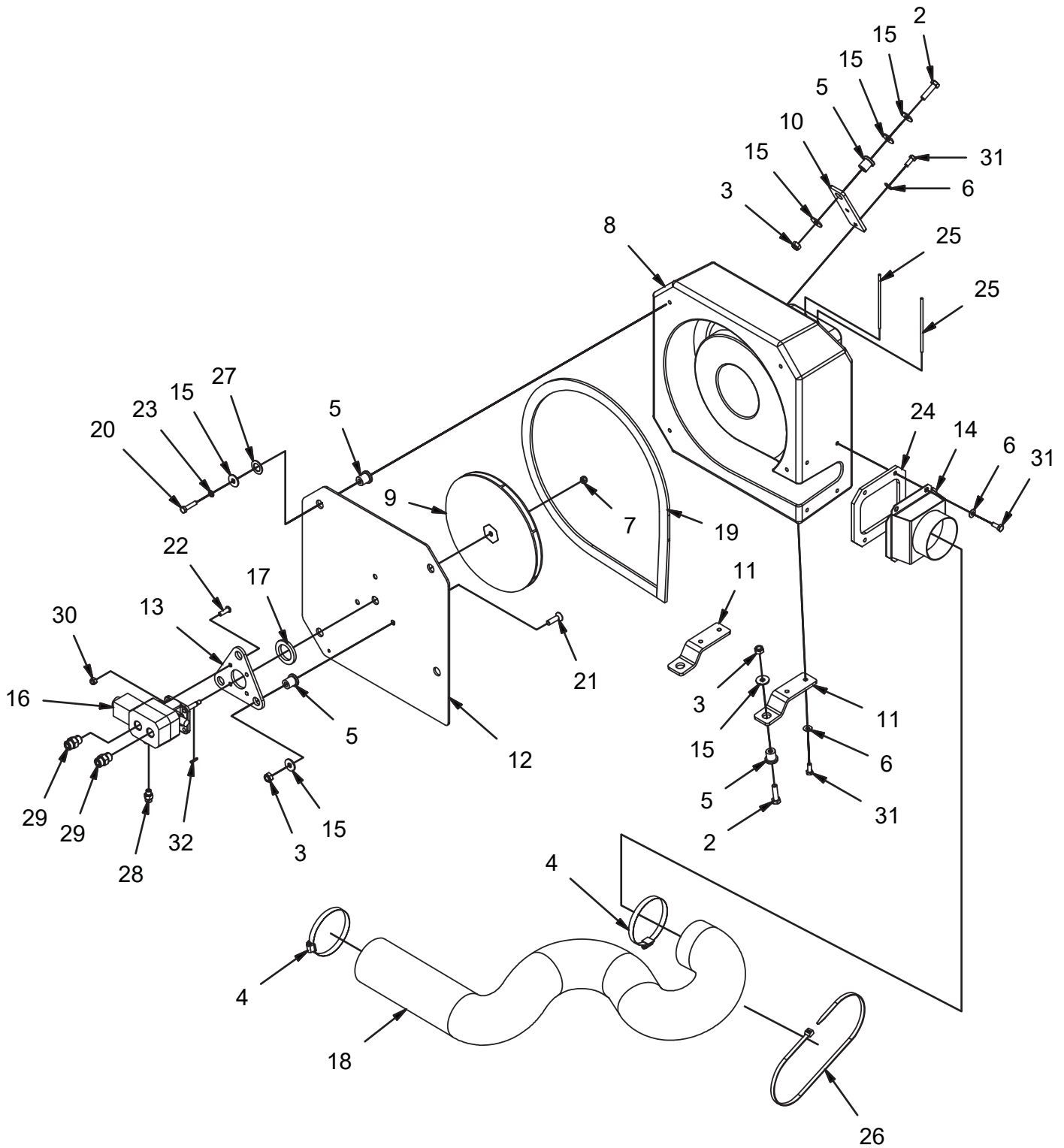


REV E

BUMPER GROUP (600626)

PARTS LIST			
ITEM	QTY	PART NUMBER	DESCRIPTION
1	2	11038254	BOLT, M8-125 X 30 HH
2	2	12040051	NUT, M8-1.25 ESN
3	6	12040077	NUT-NYLOC M12-1.75 STL ZINC
4	2	12310041	WASHER, M8
5	4	3400087	WASHER, 3/8
6	4	3400101	LOCK WASHER, 3/8 HS MED
7	1	600151	GROMMET, .63 ID .88 OD .25 T
8	4	600226	BUMPER
9	1	600280	WELDMENT, FRONT BUMPER
10	2	600581	CLAMP, WIRE CLIP
11	6	600950	WASHER, M12
12	6	600956	BOLT, M12-1.75 X 25 HH
13	4	620209	HEADLIGHT, 12VDC
14	4	711328	NUT, HEX 3/8-16

IMPELLER GROUP (600790-1)

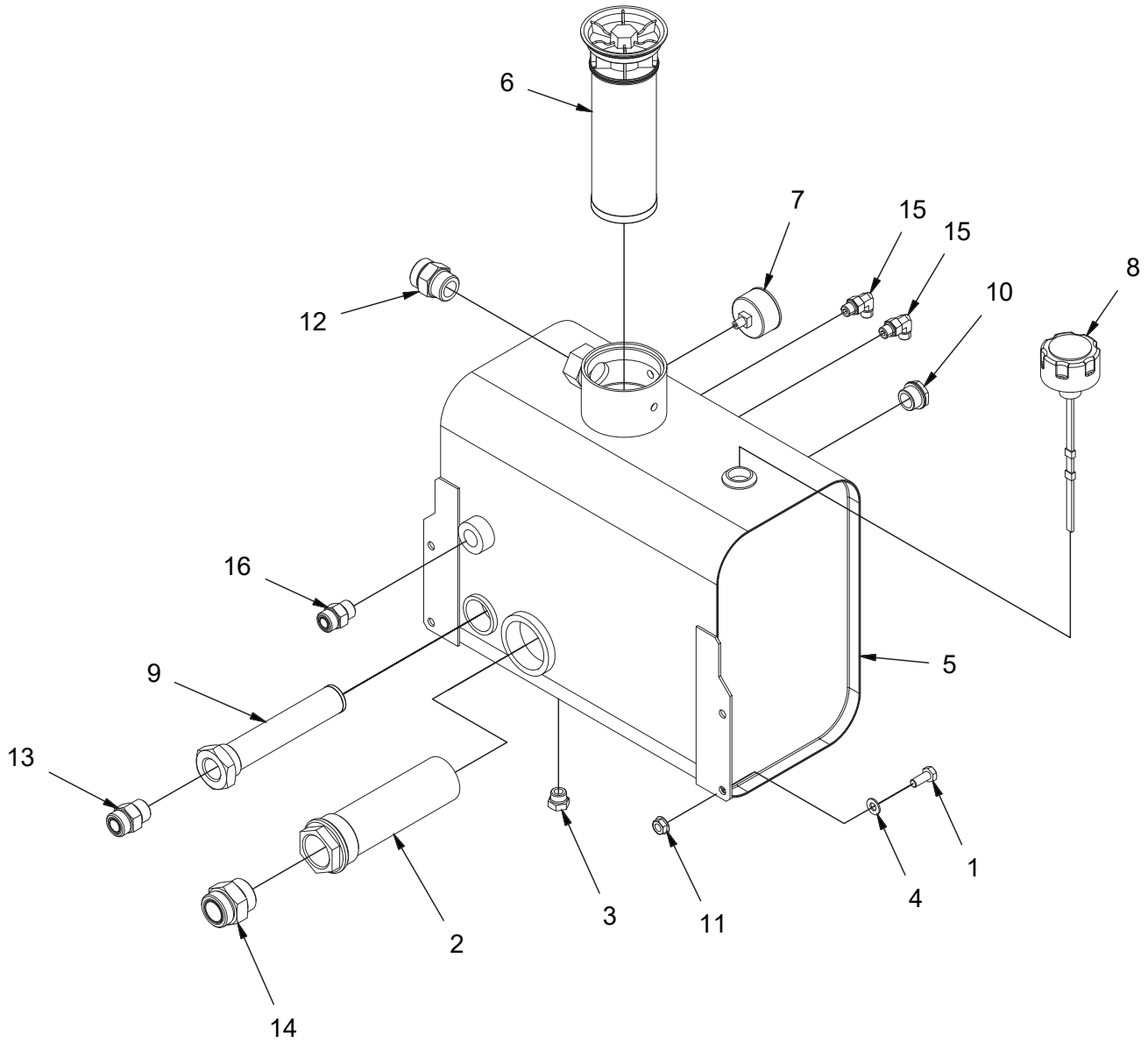


REV A

IMPELLER GROUP (600790-1)

Parts List 600790-1			
ITEM	PART NUMBER	QTY	DESCRIPTION
1	000710	-	ADHESIVE 3M #847 (USED ON 600903)
2	11038395	3	BOLT, M10-1.50 X 40 HH
3	12040069	6	NUT, M10-1.50 ESN
4	3300351	2	CLAMP, HOSE, 4.50
5	3300465	10	ISOLATOR, VIB
6	3400384	10	WASHER, 5/16 BELLEVILLE
7	3400420	1	NUT, 5/16-24 ESN
8	600100	1	SHROUD, IMPELLER
9	600101	1	ASSY, IMPELLER
10	600202	1	BRACKET, SHROUD, UPPER
11	600203	2	BRACKET, SHROUD, LOWER
12	600204	1	PLATE, SHROUD
13	600205	1	PLATE, MOTOR MNT
14	600206	1	WELDMENT, DIFFUSER
15	600363	12	WASHER, ISOLATOR
16	600366	1	MOTOR, IMPELLER
17	600469	1	SEAL, DUST
18	600574	1	HOSE, 4.00 IMPELLER
19	600903	1	SEAL, IMPELLER
20	600918	4	BOLT, M8-125 X 35 HH
21	710028	3	SCR-FHMS M10-1.50 X 40 SLOTTED ZP
22	600958	4	BOLT, 5/16-18 X 1.00 BUTTON HD CAP
23	600959	4	LOCK WASHER, M8
24	620028	1	GASKET, OUTLET
25	620031	2	ROD, GUARD
26	620037	1	CABLE TIE, .35 X 34
27	66-431-A	4	WASHER, .77 B 1.25 OD .075 T
28	675508	1	FITTING, STR, 4 ORFS - 4-SAE
29	675524	2	FITTING, STR, -8 ORFS - 8 SAE
30	711374	4	NUT, FIBER INSERT 5/16-18
31	717024	10	BOLT, M8-1.25 X 20 HH
32	PART OF 600366	1	KEY, .125 SQ X .75

HYDRAULIC RESERVOIR GROUP (600683-1)

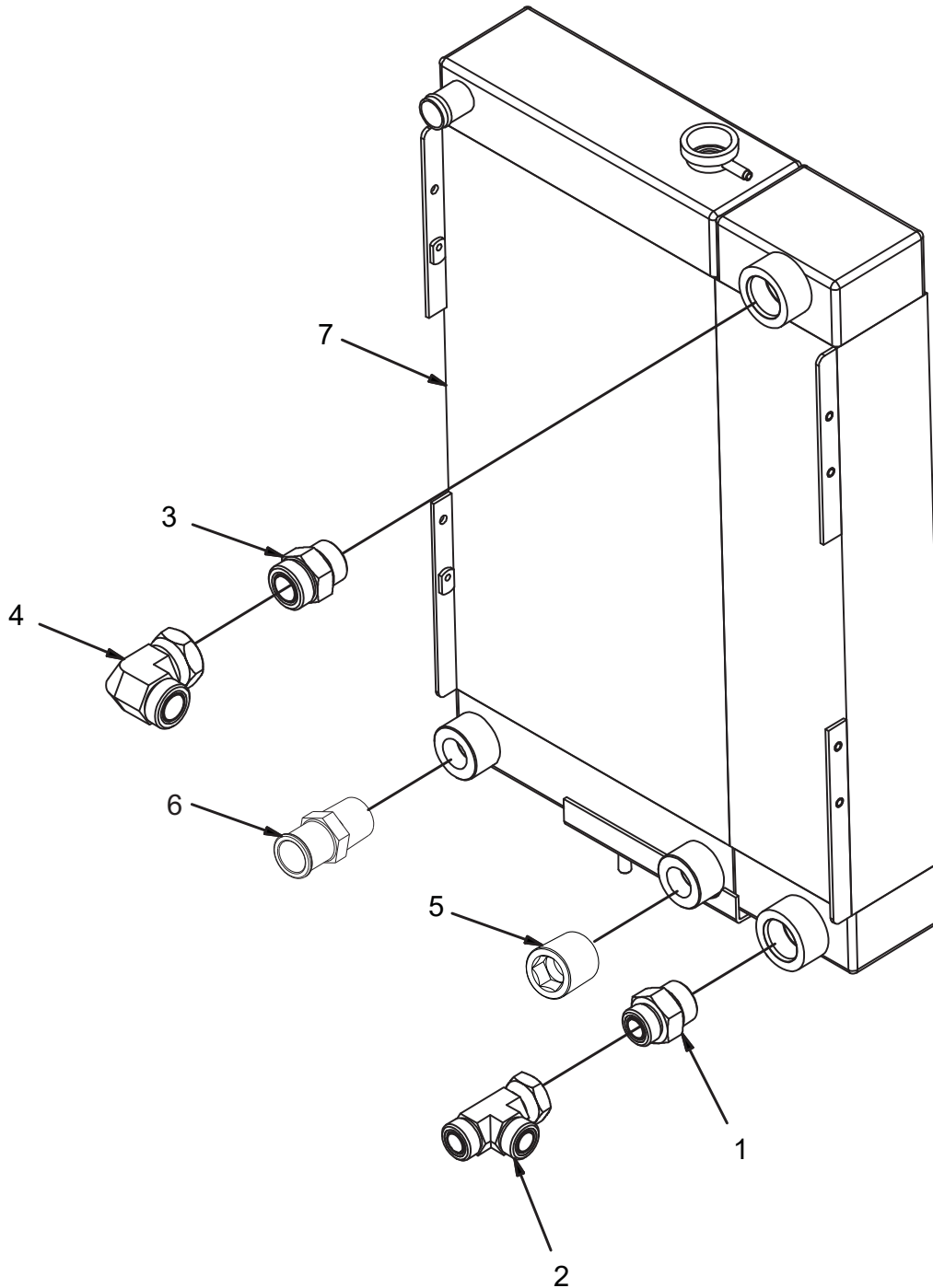


REV *

HYDRAULIC RESERVOIR GROUP (600683-1)

Parts List 600683-1			
ITEM	PART NUMBER	QTY	DESCRIPTION
1	11038346	4	BOLT, M10-1.50 X 25 HH
2	3343836	1	STRAINER, HYDRAULIC, 20
3	3400164	1	FITTING, PLUG, 8 O-RING
4	3400385	4	WASHER, 3/8. BELLEVILLE
5	600180	1	TANK, HYD RESERVOIR
6	600182	1	FILTER ELEMENT, 10 MIC
7	600183	1	GAUGE, 0-60 PSI
8	600184	1	FILLER-BREATHING, 10 MIC
9	600185	1	STRAINER, 12
10	600531	1	SIGHT GAUGE
11	600936	4	NUT, M10-1.50 FLNG
12	675505	1	FTG - STR, 16 ORFS - 16 SAE
13	675534	1	FITTING, STR, 12 ORFS - 12 SAE
14	675539	1	FITTING, STR, 20 ORFS - 20 SAE
15	675546	2	FITTING, 90, 4 ORFS - 6 SAE
16	675608	1	FTG - STR CONNECTOR -10 ORFS TO -10 SAE

OIL COOLER GROUP (600609-1)

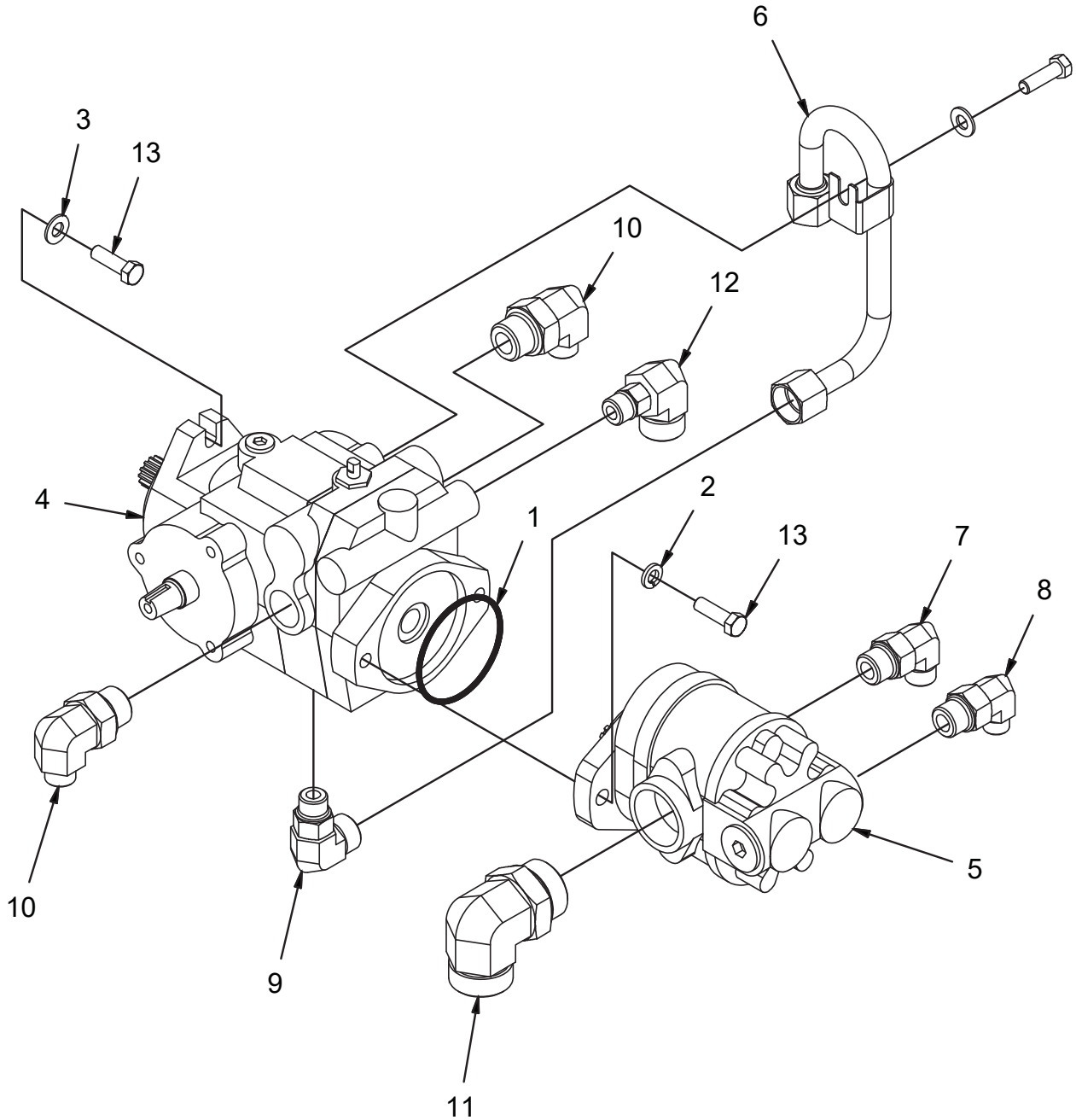


REV A

OIL COOLER GROUP (600609-1)

Parts List 600609-1			
ITEM	PART NUMBER	QTY	DESCRIPTION
1	675503	1	FTG - STR THD CONNECTOR -12 ORFS TO -16 SAE
2	675620	1	FTG - TEE -12 ORFS TO -12 ORFS TO -12 ORFS
3	675505	1	FTG - STR, 16 ORFS - 16 SAE
4	675610	1	FTG - ELBOW -16 ORFC TO -16 ORFS
5	3333488	1	FTG-PLUG, RADIATOR (HOSE PORT 3336103)
6	3333489	1	FTG-RAD (HOSE PORT 3336103)
7	REF	-	RADIATOR - OIL COOLER

HYDRAULIC PUMP GROUP (600606-1)

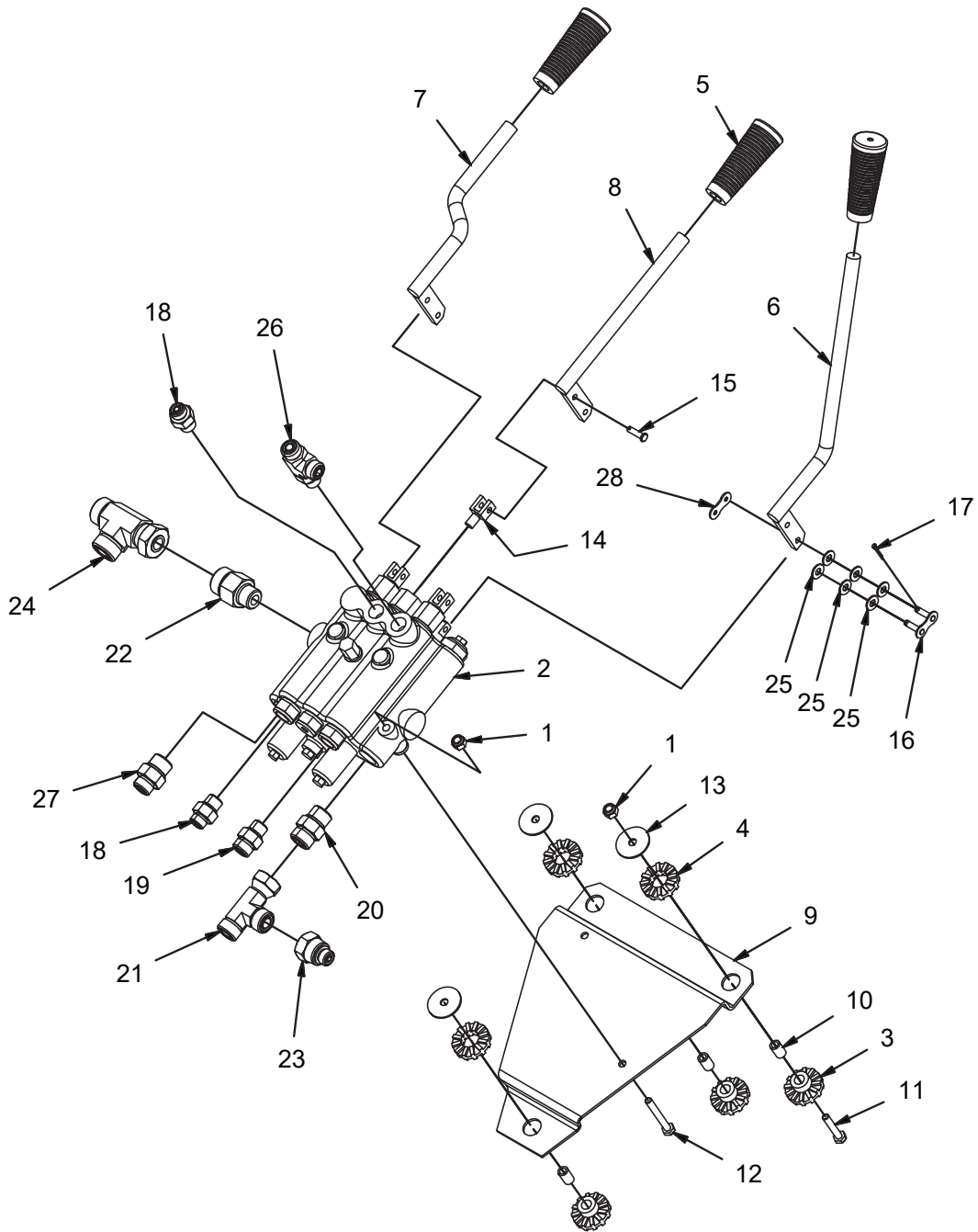


REV *

HYDRAULIC PUMP GROUP (600606-1)

Parts List			
ITEM	PART NUMBER	QTY	DESCRIPTION
1	3303711	1	O-RING
2	3400101	2	LOCK WASHER, 3/8 HS MED
3	3400385	2	WASHER, 3/8. BELLEVILLE
4	600215	1	PUMP, PROPULSION
5	600216	1	PUMP, AUX
6	600519-1	1	TUBE, PUMP DRAIN, ORFS
7	675528	1	FITTING, 90, -8 ORFS - 10 SAE
8	675532	1	FITTING, 90, 6 ORFS - 10 SAE
9	675533	1	FITTING, 90, 10 ORFS - 8 SAE
10	675537	2	FITTING, 90, 8 ORFS - 12 SAE
11	675538	1	FITTING, 90, 20 ORFS - 20 SAE
12	675543	1	FITTING, 90, 12 ORFS - 8 SAE
13	713043	4	SCREW, 3/8-16 X 1.25 HH

HYDRAULIC VALVE GROUP (600685-1)

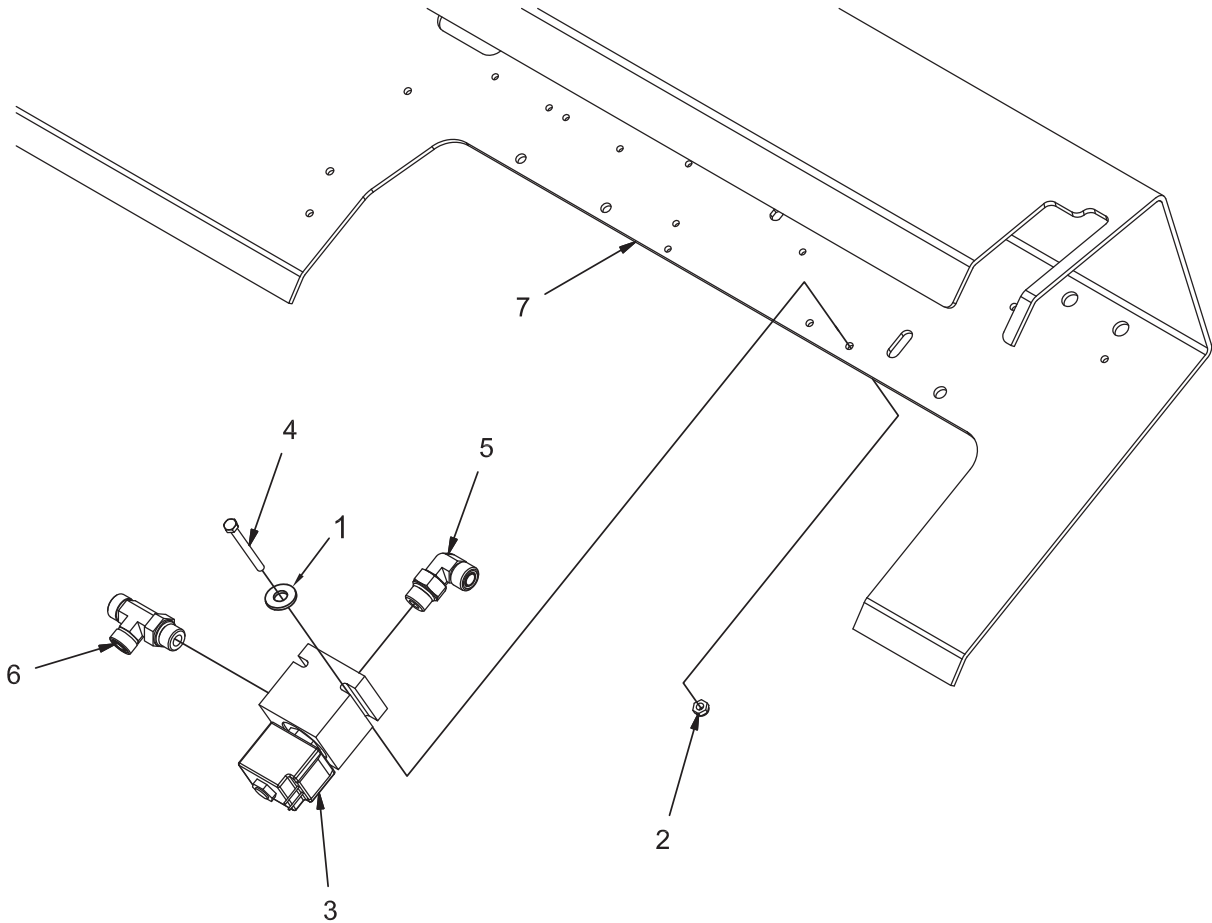


REV *

HYDRAULIC VALVE GROUP (600685-1)

Parts List 600685-1			
ITEM	PART NUMBER	QTY	DESCRIPTION
1	12040044	5	NUT, M6-1.00 ESN
2	600214	1	HYDRAULIC VALVE. 3-SPOOL
3	600218	3	ISOLATOR, MALE
4	600219	3	ISOLATOR - FEMALE
5	600263	3	HANDLE GRIP, .50
6	600532	1	LEVER, SWEEP CONT
7	600535	1	LEVER, HOPPER DOOR
8	600537	1	LEVER, HOPPER
9	600539	1	PLATE, VALVE MNT
10	600541	3	SPACER, .245 B .375 OD .625 T
11	600952	3	BOLT, M6-1.00 X 35 HH
12	600953	2	BOLT, M6-1.00 X 50 HH
13	620045	3	WASHER, .25 ID X 1.25 OD X .063 T
14	620140	3	CLEVIS, STEEL
15	620141	3	CLEVIS PIN, 3/16 X 3/4
16	620142	3	CHAIN LINK W/SPRING CLIP
17	620143	3	COTTERPIN, 5/64 X 1/2
18	675511	2	FITTING, STR, 4 ORFS - 6 O-RING
19	675515	1	FITTING, STR, 6 ORFS - 6 SAE
20	675524	1	FITTING, STR, -8 ORFS - 8 SAE
21	675526	1	FTG - RUN TEE -8 ORFS TO -8 ORFS TO -8 SAE
22	675564	1	FTG - ADAPTER 10 ORFS TO 8 SAE
23	675573	1	FTG - REDUCER -8 ORFS TO -4 ORFS
24	675609	1	FTG - RUN TEE -10 ORFS TO -10 ORFS TO -10 SAE
25	711504	18	WASHER, .56 OD .253 ID .048 T SS
26	675516	1	FITTING, RUN TEE, 6 ORFS - 6 SAE
27	675521	1	FITTING, STR, 6 ORFS - 8 O-RING
28	PART OF 620142	3	CHAIN LINK PLT

MAIN BROOM INTERLOCK GROUP (600644-1)



REV A

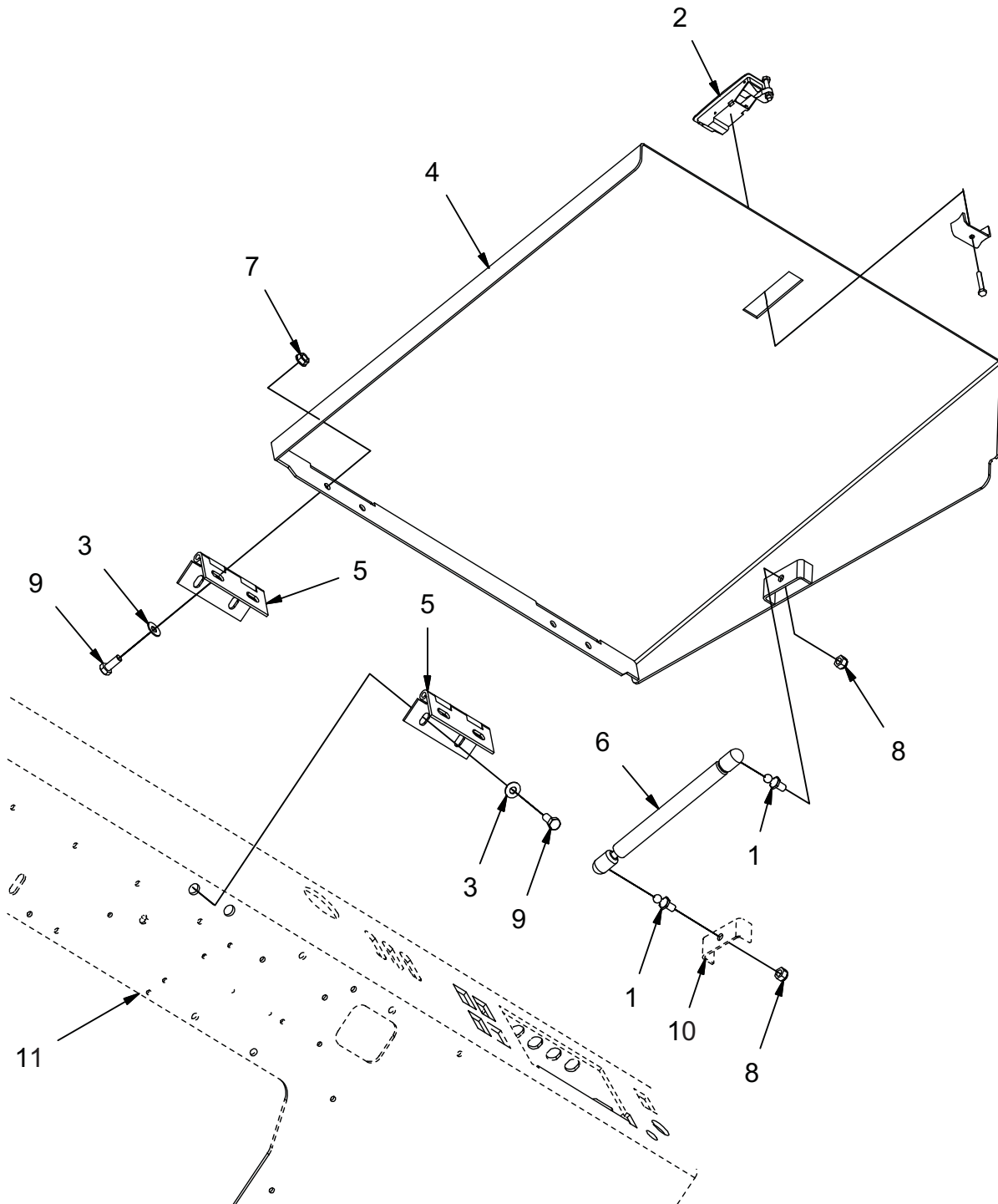
MAIN BROOM INTERLOCK GROUP (600644-1)

Parts List 600644-1			
ITEM	PART NUMBER	QTY	DESCRIPTION
1	3400089	2	WASHER-FLAT 1/4 ZP
2	600933	2	NUT, M6-1.00 ESN SS
3	620134-1	1	VALVE, SOLENOID, 2-POS 2-WAY, N.C.
4	620135	2	BOLT, M6-100 X 65 HH ZP
5	675523	1	FITTING, 90, -8 ORFS - 8 SAE
6	675525	1	FITTING, RUN TEE, 8 ORFS - 8 ORFS - 8 SAE
7	REF.	-	FRAME

COVER FRAME GROUP (600780)

Parts List			
ITEM	PART NUMBER	QTY	DESCRIPTION
1	11038098	3	BOLT, M6-100 X 20 HH
2	11038346	6	BOLT, M10-1.50 X 25 HH
3	12040044	3	NUT, M6-1.00 ESN
4	12310033	2	WASHER, M6
5	3300526	2	BUMPER, .25 ID .125 T
6	3400384	2	WASHER, 5/16 BELLEVILLE
7	3400385	6	WASHER, 3/8. BELLEVILLE
8	600356	1	WELDMENT, COVER FRAME
9	600362	1	HINGE LOCK
10	600367	1	CHANNEL, SUPPORT
11	600934	2	NUT, M8-1.25 FLNG
12	600936	6	NUT, M10-1.50 FLNG
13	717024	2	BOLT, M8-1.25 X 20 HH
14	REF	-	CONSOLE
15	REF	-	FRAME
16	REF	-	FRAME

TOP COVER GROUP (600760)

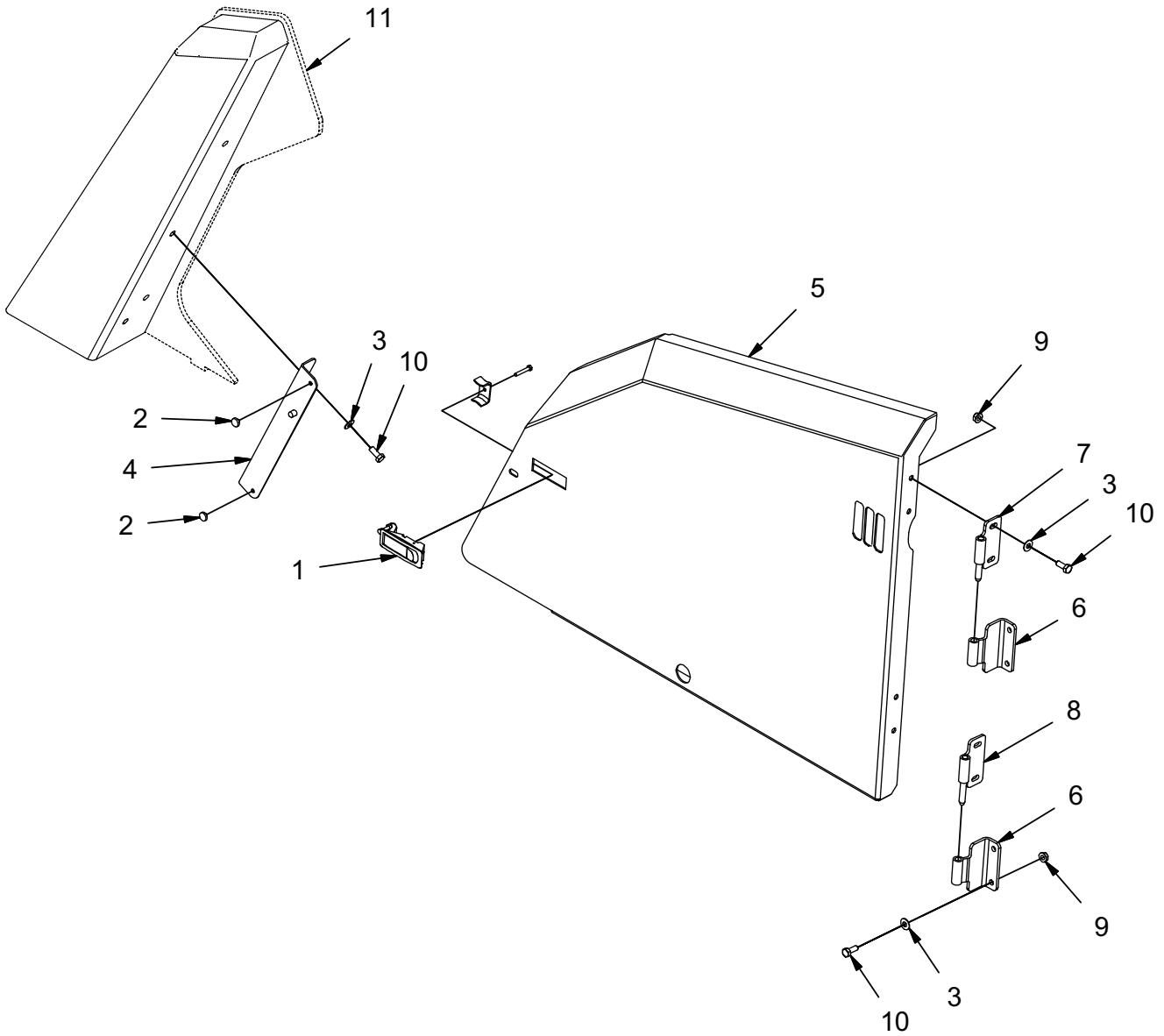


REV A

TOP COVER GROUP (600760)

Parts List			
ITEM	PART NUMBER	QTY	DESCRIPTION
1	3300376	2	STUD, 10MM BALL
2	3300380	1	LATCH ASSY
3	3400384	8	WASHER, 5/16 BELLEVILLE
4	600165	1	WELDMENT, TOP COVER
5	600369	2	HINGE, 4"
6	600508	1	GAS STRUT
7	600934	4	NUT, M8-1.25 FLNG
8	711374	2	NUT, FIBER INSERT 5/16-18
9	717024	8	BOLT, M8-1.25 X 20 HH
10	REF.	-	CONSOLE
11	REF.	-	FRAME

SIDE DOOR GROUP (600750)

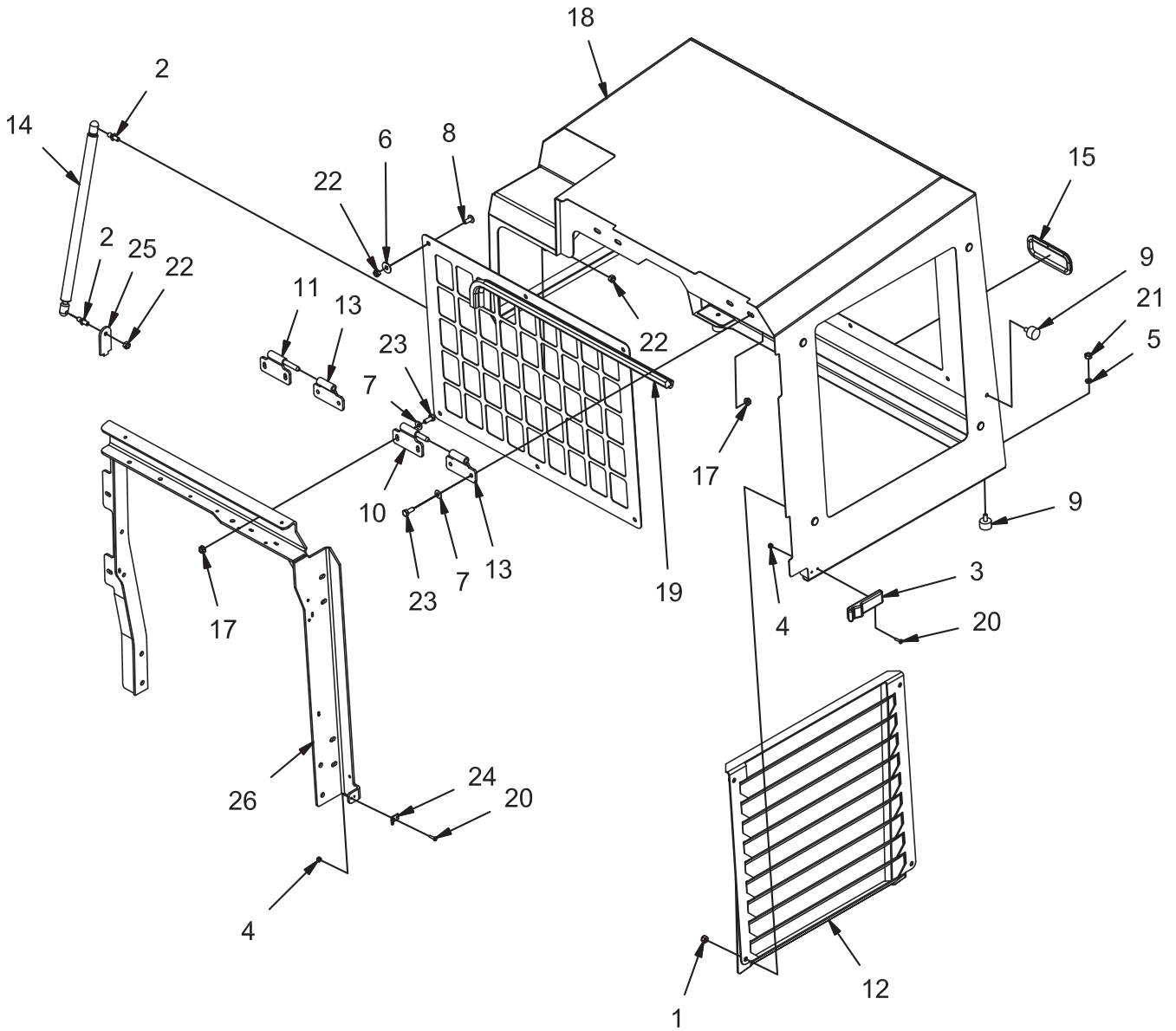


REV *

SIDE DOOR GROUP (600750)

Parts List			
ITEM	PART NUMBER	QTY	DESCRIPTION
1	3300380	1	LATCH ASSY
2	3300526	2	BUMPER, .25 ID .125 T
3	3400384	10	WASHER, 5/16 BELLEVILLE
4	600170	1	WELDMENT, DOOR STRIKER
5	600364	1	SIDE DOOR
6	600377	2	WELDMENT, HINGE, FEM
7	600380	1	WELDMENT, HINGE, MALE
8	600383	1	WELDMENT, HINGE, MALE, LG
9	600934	8	NUT, M8-1.25 FLNG
10	717024	10	BOLT, M8-1.25 X 20 HH
11	REF.	-	FRAME

ENGINE COVER GROUP (600661)

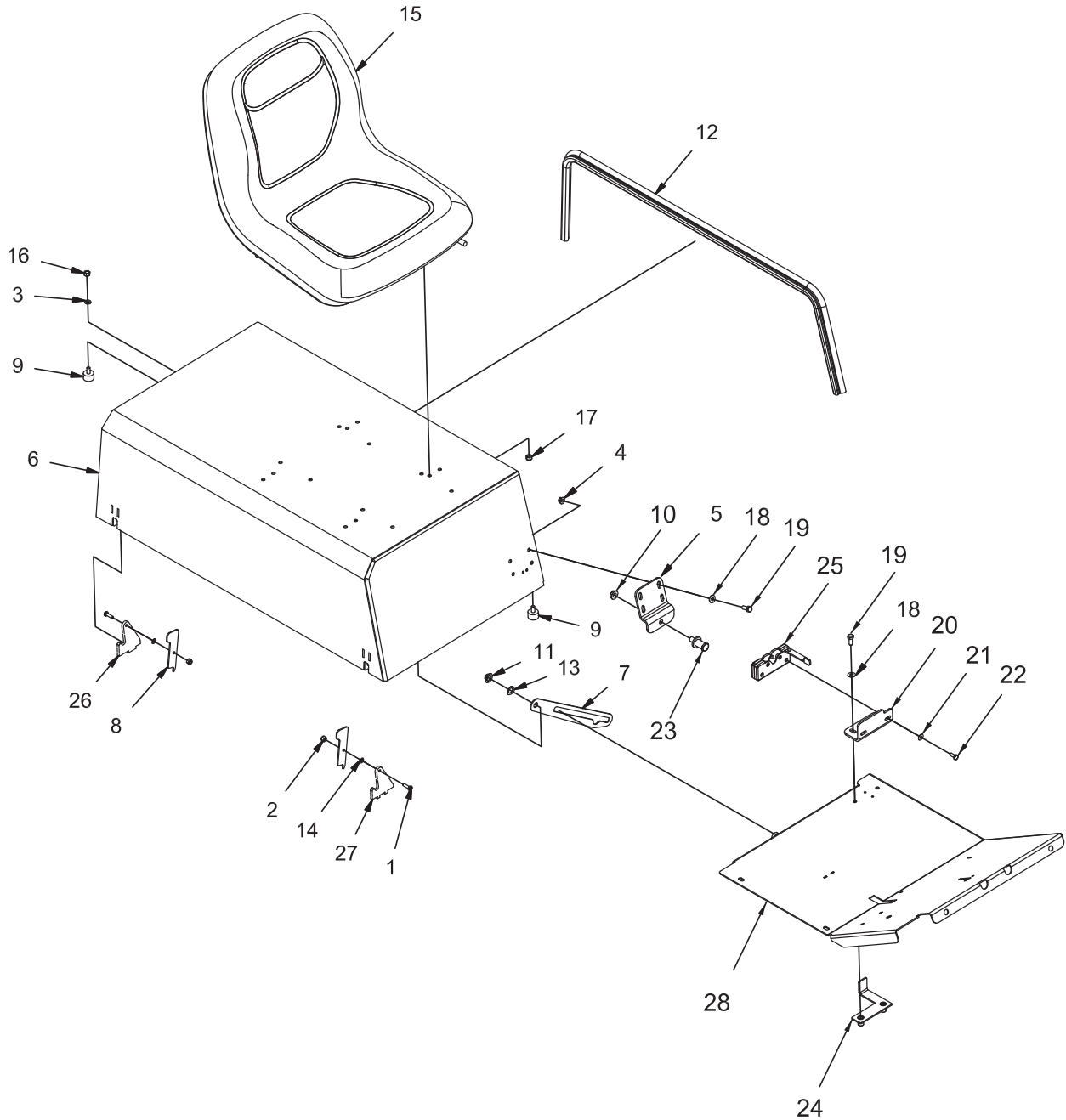


REV A

ENGINE COVER GROUP (600661)

Parts List 600661			
ITEM	PART NUMBER	QTY	DESCRIPTION
1	12040051	4	NUT, M8-1.25 ESN
2	3300376	2	STUD, 10MM BALL
3	3307719	1	DRAW LATCH
4	3400082	4	NUT, FIBER INSERT #8-32
5	3400102	3	LOCK WASHER, 5/16 HS MED
6	3400233	6	WASHER-FENDER 5/16 X 1.00 ZP
7	3400384	8	WASHER, 5/16 BELLEVILLE
8	3401032	6	SCR-THMS 5/16-18 X .75 SS
9	600220	3	BUMPER, 1.00 X .625 T
10	600380	1	WELDMENT, HINGE, MALE
11	600383	1	WELDMENT, HINGE, MALE, LG
12	600470	1	WELDMENT, GRILL
13	600484	2	WELDMENT, HINGE, FEM
14	600507L	1	GAS STRUT, 30.9 EXT X 13.8 STK
15	600582	1	EDGING
16	600674-1	1	PLATE ASSY, ENGINE COVER BACK W/TAPE
17	600934	8	NUT, M8-1.25 FLNG
18	620636	1	WELDMENT, ENGINE COVER
19	620642	1	EDGING, ENG COVER
20	710230	4	SCREW, #8-32 X .62 PAN HD
21	711319	3	NUT, HEX 5/16-18
22	711374	8	NUT, FIBER INSERT 5/16-18
23	717024	8	BOLT, M8-1.25 X 20 HH
24	PART OF 3307719	1	KEEPER
25	REF	-	FRAME
26	REF	-	COVER FRAME

SEAT AND PUMP COVER GROUP (600610)

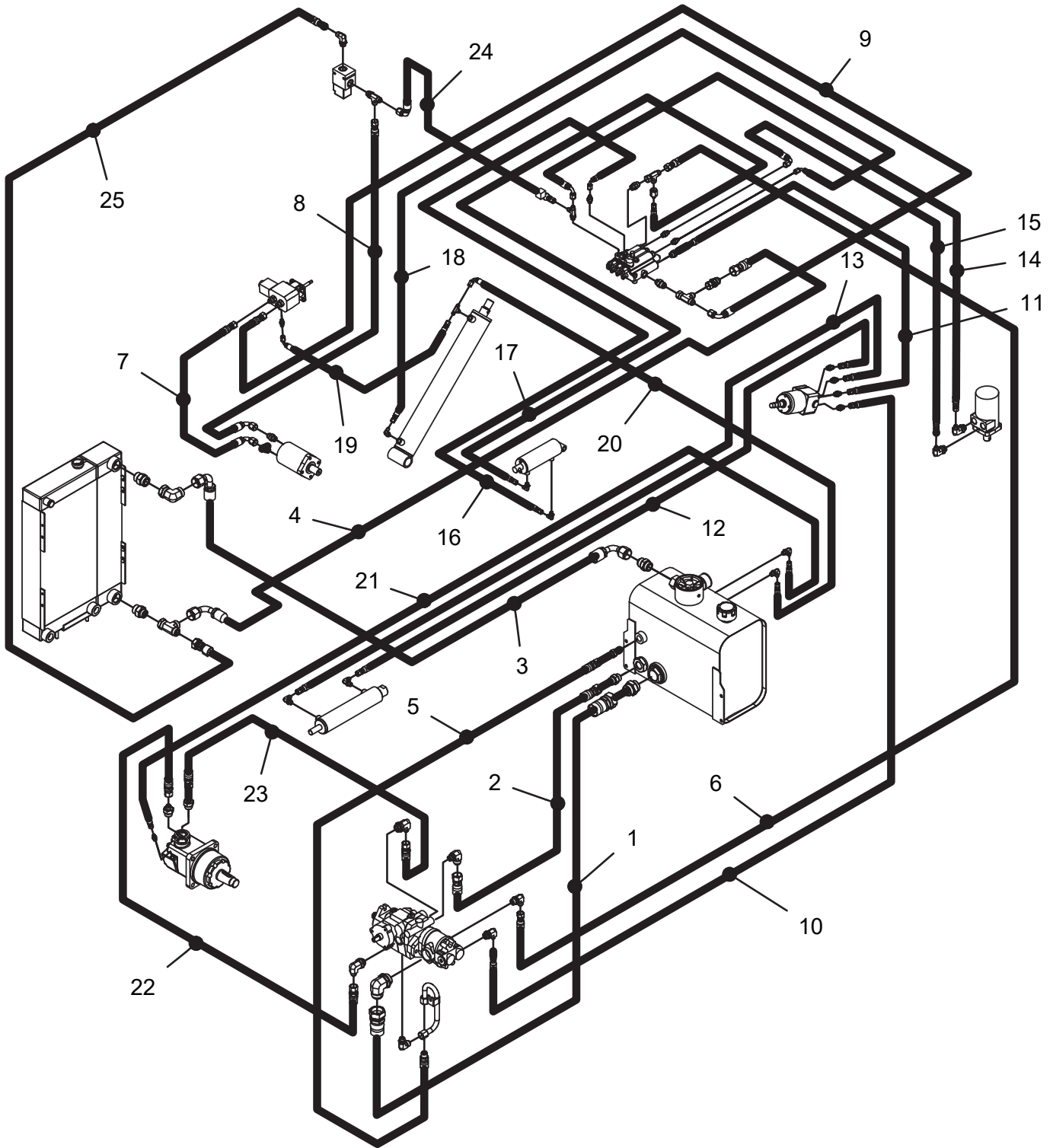


REV B

SEAT AND PUMP COVER GROUP (600610)

Parts List 600610			
ITEM	PART NUMBER	QTY	DESCRIPTION
1	11038098	2	BOLT, M6-100 X 20 HH
2	12040044	2	NUT, M6-1.00 ESN
3	3400102	2	LOCK WASHER, 5/16 HS MED
4	600934	4	NUT, M8-1.25 FLNG
5	620194	1	BRACKET, STRIKER
6	600155	1	WELDMENT, PUMP COVER
7	600193	1	RETAINER, COVER
8	600194	2	LATCH, COVER
9	600220	2	BUMPER, 1.00 X .625 T
10	3400394	1	NUT, 7/16-14 FLNG
11	600524	1	AXLE CAP NUT, .500
12	600819	1	EDGING, HOPPER ACCESS
13	600948	1	WASHER, .50 CURVED SPRING
14	600963	2	WASHER, M6, CURVED SPRING
15	620219	1	SEAT
16	711319	2	NUT, HEX 5/16-18
17	711374	4	NUT, FIBER INSERT 5/16-18
18	3400384	6	WASHER, 5/16 BELLEVILLE
19	717024	6	BOLT, M8-1.25 X 20 HH
20	661303	1	BRACKET, LATCH
21	3400383	2	WASHER, 1/4 BELLEVILLE
22	713001	2	SCREW, 1/4-20 X .625 HHC
23	3307248	1	STRIKER-LATCH
24	620216-1	1	ASSEMBLY, NUT PLATE
25	3307246	1	LATCH, LH
26	REF.	1	FRAME
27	REF.	1	FRAME
28	REF.	1	FLOOR

HYDRAULIC HOSE GROUP (600850-1)

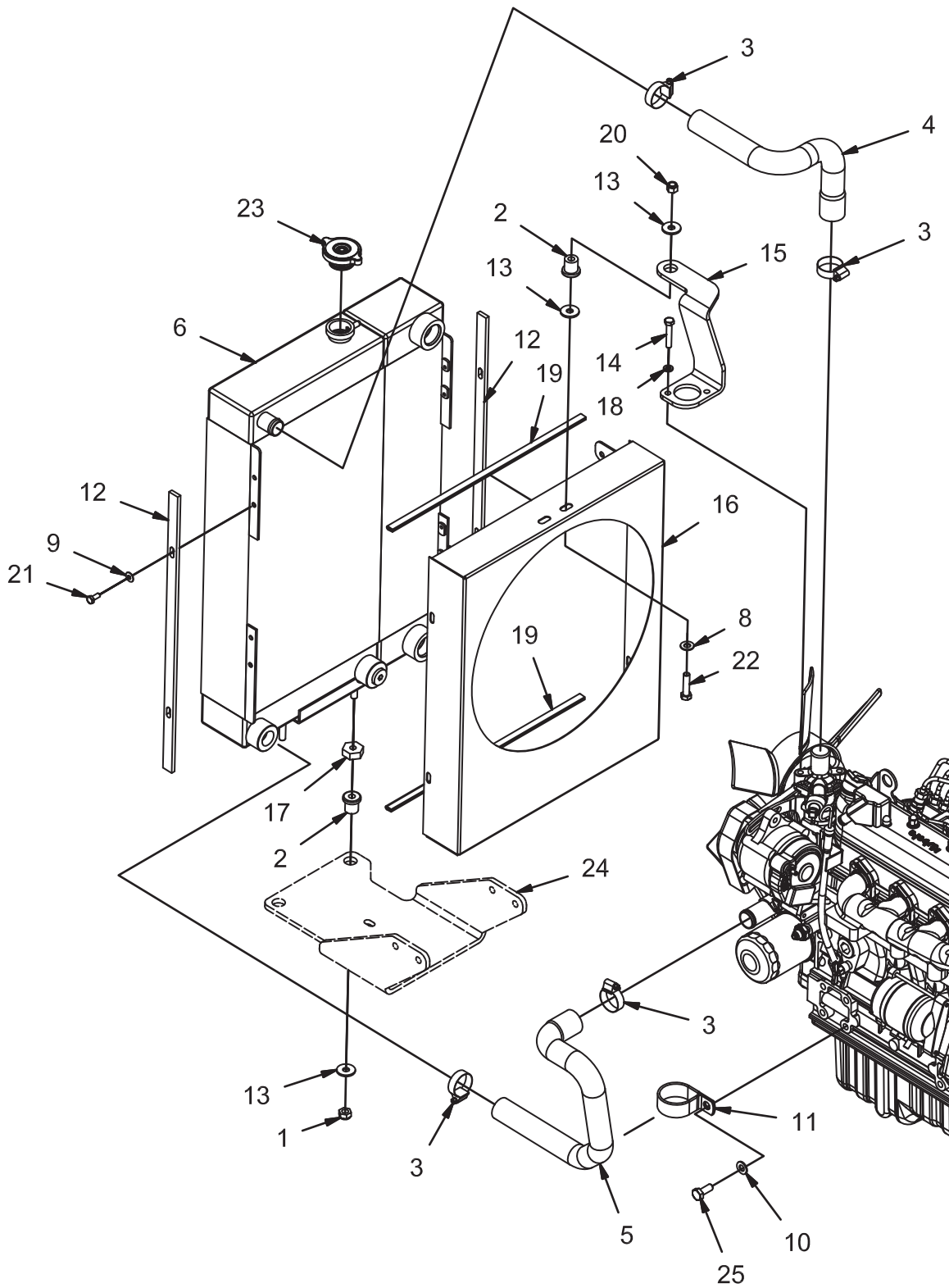


REV B

HYDRAULIC HOSE GROUP (600850-1)

Parts List 600850-1			
ITEM	PART NUMBER	QTY	DESCRIPTION
1	600968-1	1	HOSE, 20 STR - 20 STR SUC (RES TO AUX)
2	600969-1	1	HOSE, 12 STR - 12 STR SUC (RES TO CASE)
3	620084-1	1	HOSE, 16 90 - 16 90 RET (COOLER TO RES)
4	600971-1	1	HOSE, 12 STR - 12 90 RET (VALVE TO COOLER)
5	600972-1	1	HOSE, 10 STR - 10 STR MALE RET (CASE TO RES)
6	600973-1	1	HOSE, 8 STR - 8 STR MED (AUX TO VALVE)
7	600974-1	1	HOSE, 8 STR - 8 90 MED (MB TO IMP)
8	600975-1	1	HOSE, 8 STR - 8 90 MED (SOLENOID TO MB)
9	600977-1	1	HOSE, 8 STR - 10 90 MED (IMP TO VALVE RET)
10	600978-1	1	HOSE, 6 STR - 6 STR MED (AUX TO STR PRESS)
11	600979-1	1	HOSE, 6 STR - 6 STR MED (STR TO VALVE RET)
12	600980-1	1	HOSE, 6 STR - 6 STR MED (STR TO CYL F)
13	600981-1	1	HOSE, 6 STR - 6 STR MED (STR TO CYL R)
14	600982-1	1	HOSE, 6 STR - 6 90 MED (SB TO MB THRU VALVE)
15	600983-1	1	HOSE, 6 STR - 6 90 MED (VALVE TO SB)
16	600984-1	1	HOSE, 4 STR - 4 90 MED (VALVE TO DOOR CYL F)
17	600985-1	1	HOSE, 4 STR - 4 STR MED (VALVE TO DOOR CYL R)
18	600986-1	1	HOSE, 4 STR - 4 90 MED (VALVE TO LIFT CYL L)
19	600987-1	1	HOSE, 4 STR - 4 90 RET (IMP TO LIFT CYL U)
20	600988-1	1	HOSE, 4 STR - 4 STR RET (LIFT CYL U TO RES)
21	600989-1	1	HOSE, 4 STR - 4 STR RET (WM CASE TO RES)
22	600990-1	1	HOSE, 8 STR - 8 STR SPCL (VDP R TO WM R)
23	600991-1	1	HOSE, 8 STR - 8 STR SPCL (VDP F TO WM L)
24	620121-1	1	HOSE, 6 STR - 8 90 MED (VALVE OUT TO SOLENOID)
25	620122-1	1	HOSE, 8 STR - 12 STR MED (SOLENOID TO COOLER)

RADIATOR GROUP - DIESEL, GAS, LPG (600615)

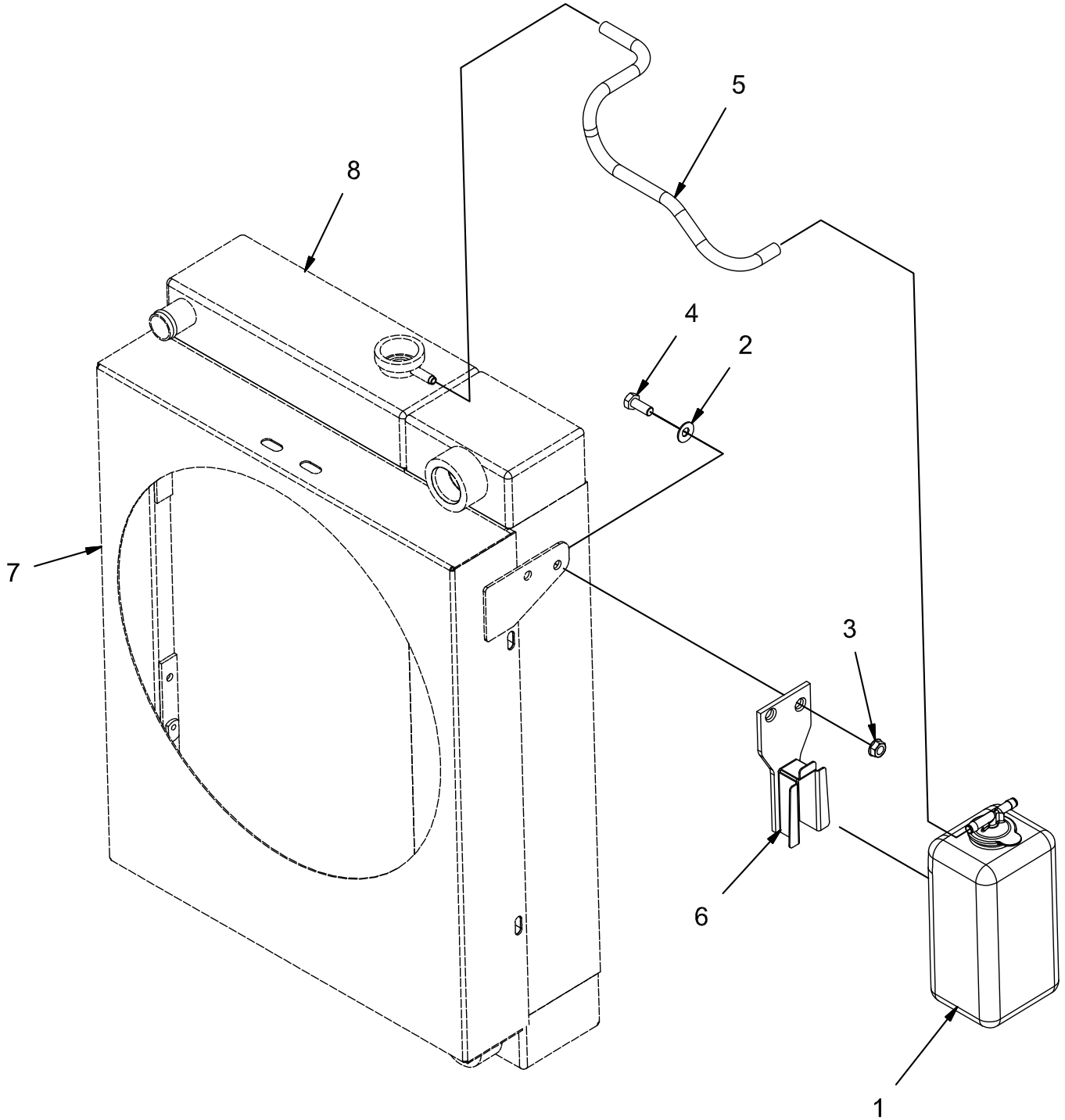


REV D

RADIATOR GROUP - DIESEL, GAS, LPG (600615)

Parts List			
ITEM	PART NUMBER	QTY	DESCRIPTION
1	12040069	2	NUT, M10-1.50 ESN
2	3300465	3	ISOLATOR, VIB
3	3302193	4	CLAMP, HOSE, .75 - 1.25
4	3332643	1	HOSE, UPPER RAD, DIESEL
5	690020	1	HOSE, LOWER RAD, DIESEL
6	690125	1	RADIATOR - OIL COOLER
8	3400087	1	WASHER, 3/8
9	3400383	4	WASHER, 1/4 BELLEVILLE
10	3400385	1	WASHER, 3/8. BELLEVILLE
11	3402005	1	CLAMP, 2"
12	600198	2	SPACER, SHROUD
13	600363	4	WASHER, ISOLATOR
14	600820	2	BOLT, M8-1.25 X 45 HH
15	600867	1	MOUNT, UPPER SHROUD, DIESEL
16	600875	1	WELDMENT, FAN SHROUD, DIESEL
17	600884	2	WASHER, ISOLATOR
18	600959	2	LOCK WASHER, M8
19	620064	2	SEAL, SHROUD
20	711380	1	NUT, FIBER INSERT 3/8-16
21	713001	4	SCREW, 1/4-20 X .625 HHC
22	713044	1	SCREW, 3/8-16 X 1.500 HHC
23	PART OF 690125	1	RADIATOR CAP
24	REF	-	FRONT ENGINE MOUNT
25	REF.	-	BOLT, ENGINE MOUNT
26	REF.	-	ENGINE, DIESEL

RADIATOR OVERFLOW GROUP (600602)

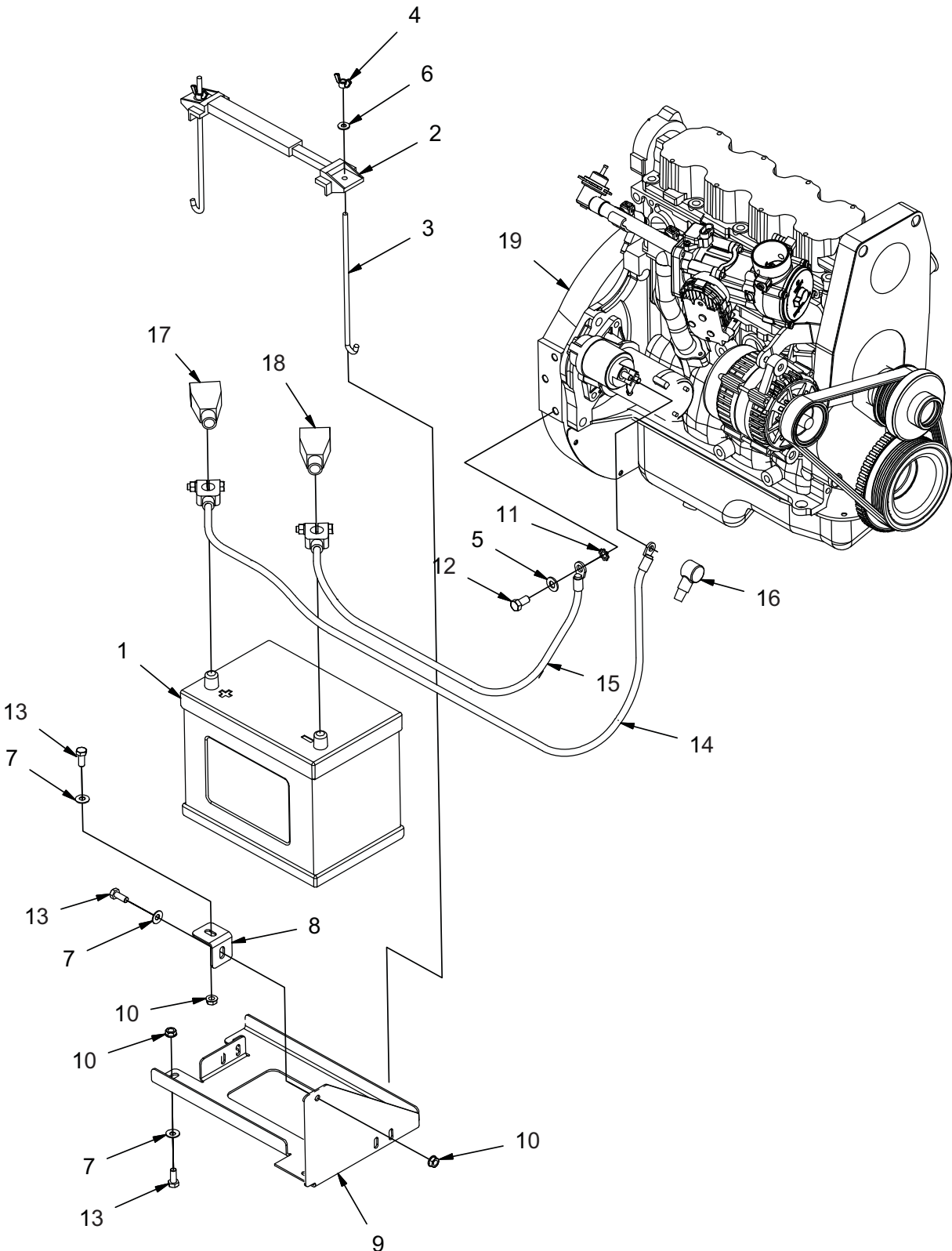


REV A

RADIATOR OVERFLOW GROUP (600602)

Parts List			
ITEM	PART NUMBER	QTY	DESCRIPTION
1	3318752	1	OVERFLOW BOTTLE
2	3400384	2	WASHER, 5/16 BELLEVILLE
3	600934	2	NUT, M8-1.25 FLNG
4	717024	2	BOLT, M8-1.25 X 20 HH
5	PART OF 3318752	1	HOSE,OVERFLOW
6	PART OF 3318752	1	BRACKET, BOTTLE
7	REF.	-	FAN SHROUD, DIESEL
8	REF.	-	RADIATOR

BATTERY GROUP (600770)

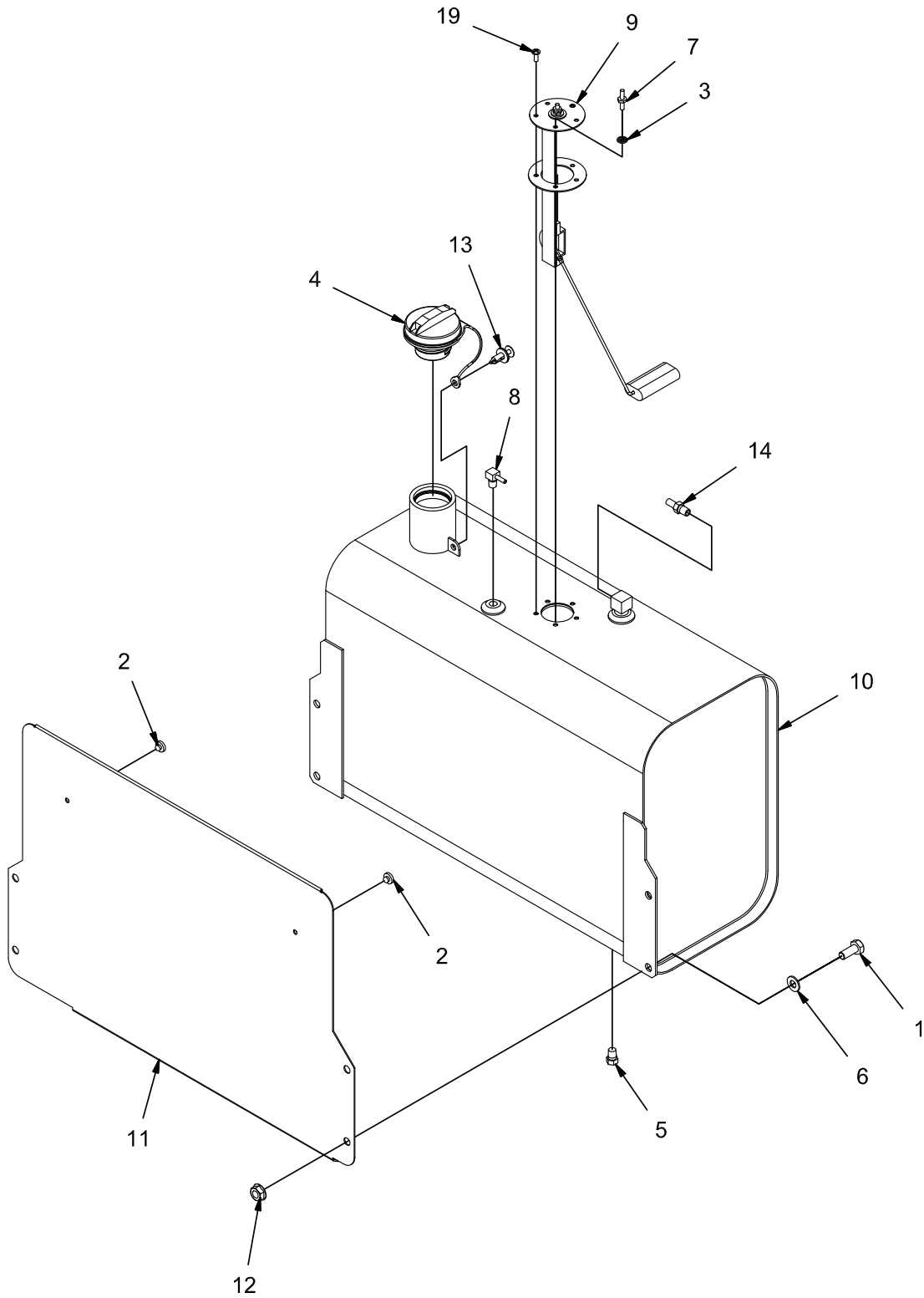


REV C

BATTERY GROUP (600770)

Parts List			
ITEM	PART NUMBER	QTY	DESCRIPTION
1	3300440	1	BATTERY, 12V
2	3301076	1	HOLD DOWN, BATTERY
3	3301079	2	ROD, BATTERY TIE DOWN
4	3400085	2	WING NUT, 1/4-20 ZP
5	3400087	1	WASHER, 3/8
6	3400089	2	WASHER, 1/4 .625 X .281 X .063
7	3400384	5	WASHER, 5/16 BELLEVILLE
8	600512	1	CLIP
9	600513	1	BATTERY TRAY
10	600934	5	NUT, M8-1.25 FLNG
11	600946	1	LOCK WASHER, 3/8 INT STAR
12	713041	1	SCREW, 3/8-16 X .750 HHC
13	717024	5	BOLT, M8-1.25 X 20 HH
14	748567	1	CABLE, BATTERY, POS
15	748902	1	CABLE, BATTERY, NEG
16	PART OF 748901	1	BOOT, TERM, RED
17	PART OF 748901	1	BOOT, BATTERY, RED
18	PART OF 748902	1	BOOT, BATTERY, BLACK
19	REF.	-	ENGINE

FUEL TANK GROUP - DIESEL (600618)

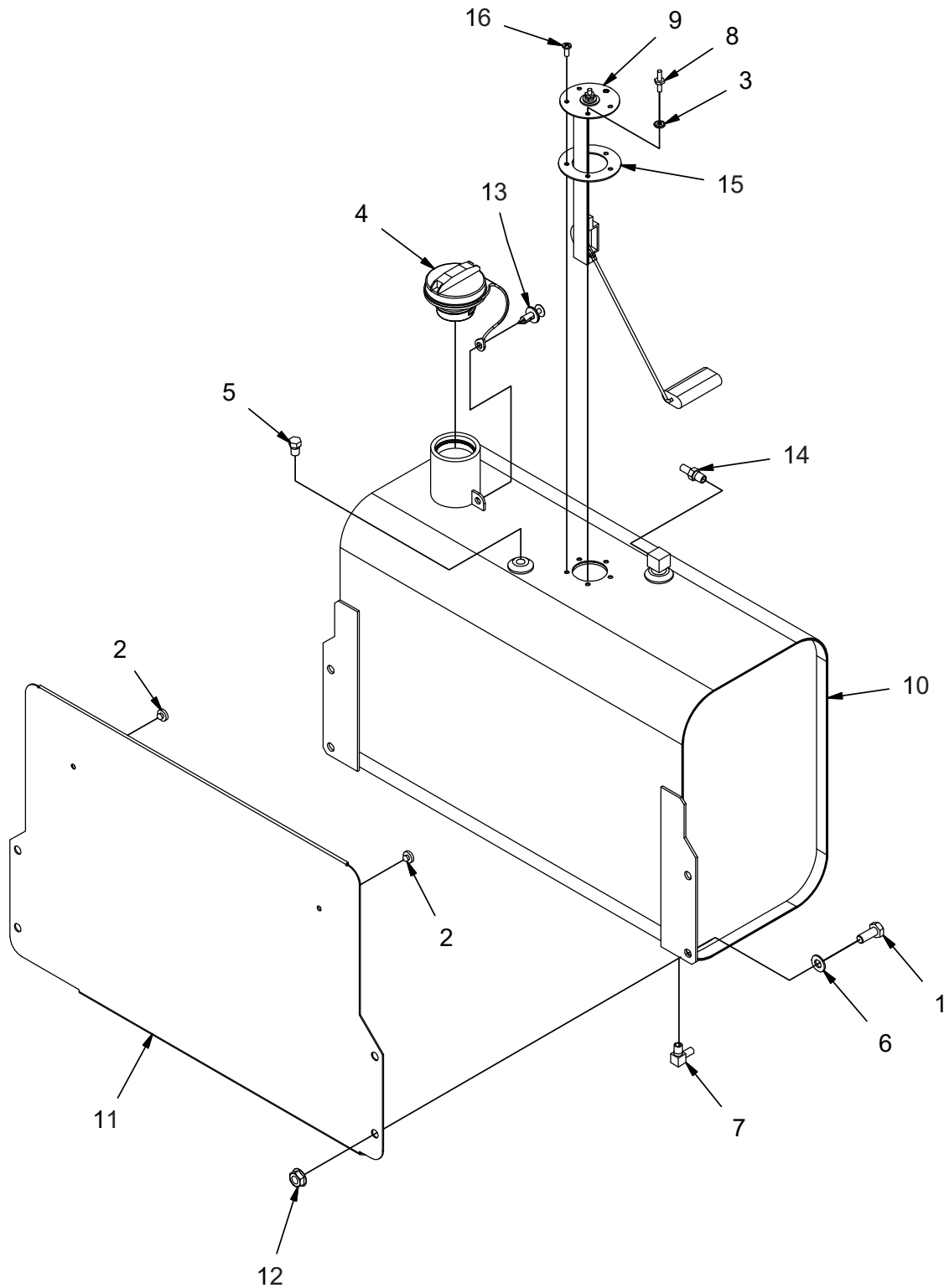


REV F

FUEL TANK GROUP - DIESEL (600618)

Parts List			
ITEM	PART NUMBER	QTY	DESCRIPTION
1	11038346	4	BOLT, M10-1.50 X 25 HH
2	3300526	2	BUMPER, .25 ID .125 T
3	3337019	1	SEAL, #10
4	3343413	1	CAP, FUEL TANK
5	3400256	1	PLUG, 1/4 NPT
6	3400385	4	WASHER, 3/8. BELLEVILLE
7	3401579	1	SCREW, HEX, STANDOFF, 2X #10-32 X .50
8	3402022	1	FITTING, 90, 1/4 NPT X .184 BARB
9	600179	1	SENDING UNIT, FUEL LEVEL
10	600181	1	FUEL TANK
11	600505	1	OVERFLOW PLT
12	600936	4	NUT, M10-1.50 FLNG
13	600965	1	FASTENER, PRESS-IN
14	620052	1	FITTING, STR, 1/4 NPT - 5/16 BARB
-	748937	1	WIRE ASSY - FUEL SENDING UNIT
-	748938	1	FUEL GAUGE ASSEMBLY INSTRUCTIONS
-	748946	1	QC5, WIRE JUNCTION
18	PART OF 84-2041	1	GASKET
19	PART OF 84-2041	4	SCREW #10-32 X .50

FUEL TANK GROUP - GAS (600634)

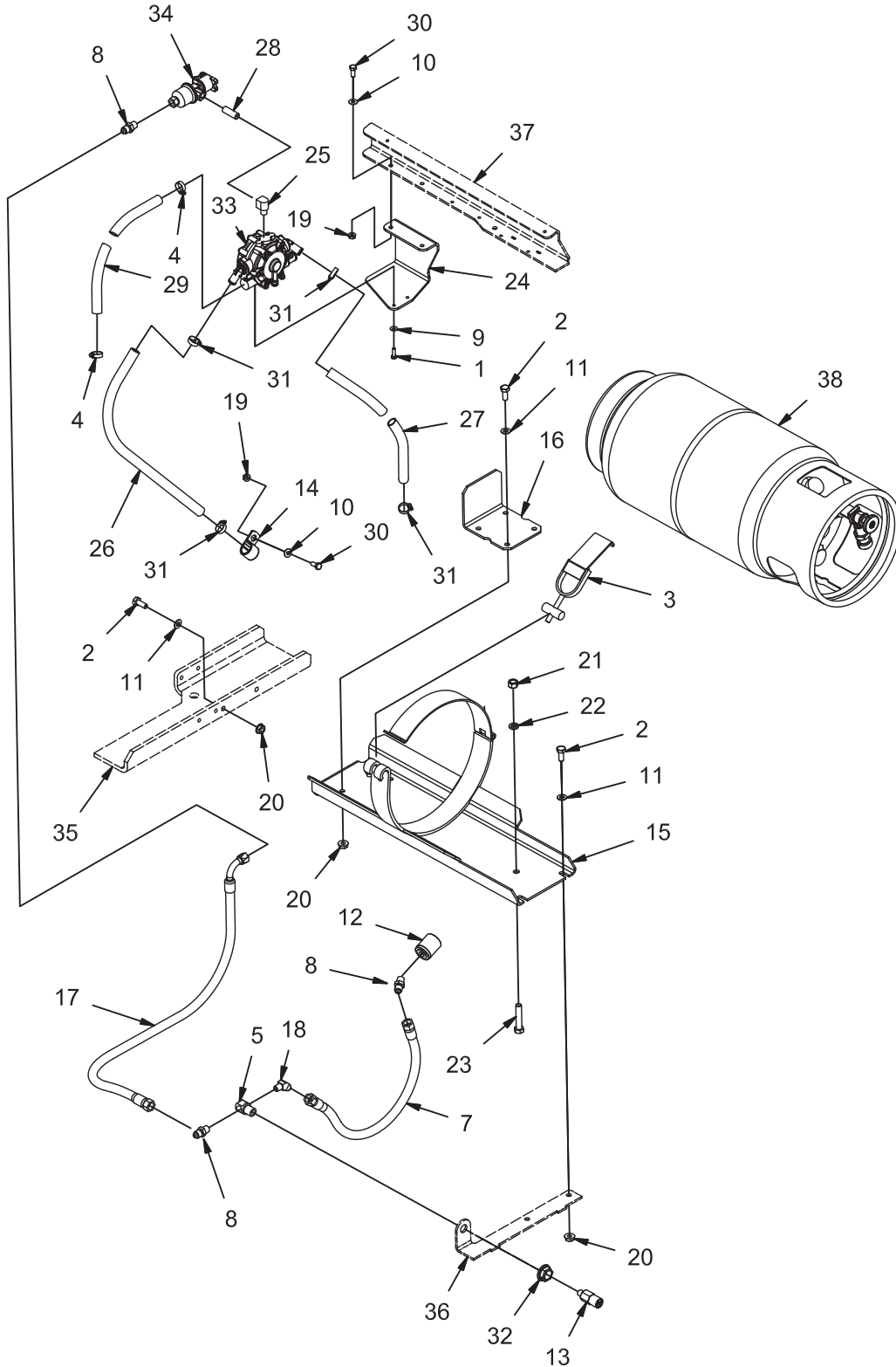


REV D

FUEL TANK GROUP - GAS (600634)

Parts List			
ITEM	PART NUMBER	QTY	DESCRIPTION
1	11038346	4	BOLT, M10-1.50 X 25 HH
2	3300526	2	BUMPER, .25 ID .125 T
3	3337019	1	SEAL, #10
4	3343413	1	CAP, FUEL TANK
5	3400256	1	PLUG, 1/4 NPT
6	3400385	4	WASHER, 3/8. BELLEVILLE
7	3401445	1	FITTING, 90, 1/4 NPT X 5/16 BARB
8	3401579	1	SCREW, HEX, STANDOFF, 2X #10-32 X .50
9	600179	1	SENDING UNIT, FUEL LEVEL
10	600181	1	FUEL TANK
11	600505	1	OVERFLOW PLT
12	600936	4	NUT, M10-1.50 FLNG
13	600965	1	FASTENER, PRESS-IN
14	620052	1	FITTING, STR, 1/4 NPT - 5/16 BARB
15	811023	1	GASKET
16	3401636	4	SCREW #10-32 X .50
-	748937	1	WIRE ASSY - FUEL SENDING UNIT
-	748938	1	FUEL GAUGE ASSEMBLY INSTRUCTIONS
-	748946	1	QC5, WIRE JUNCTION

LPG TANK GROUP (600710)

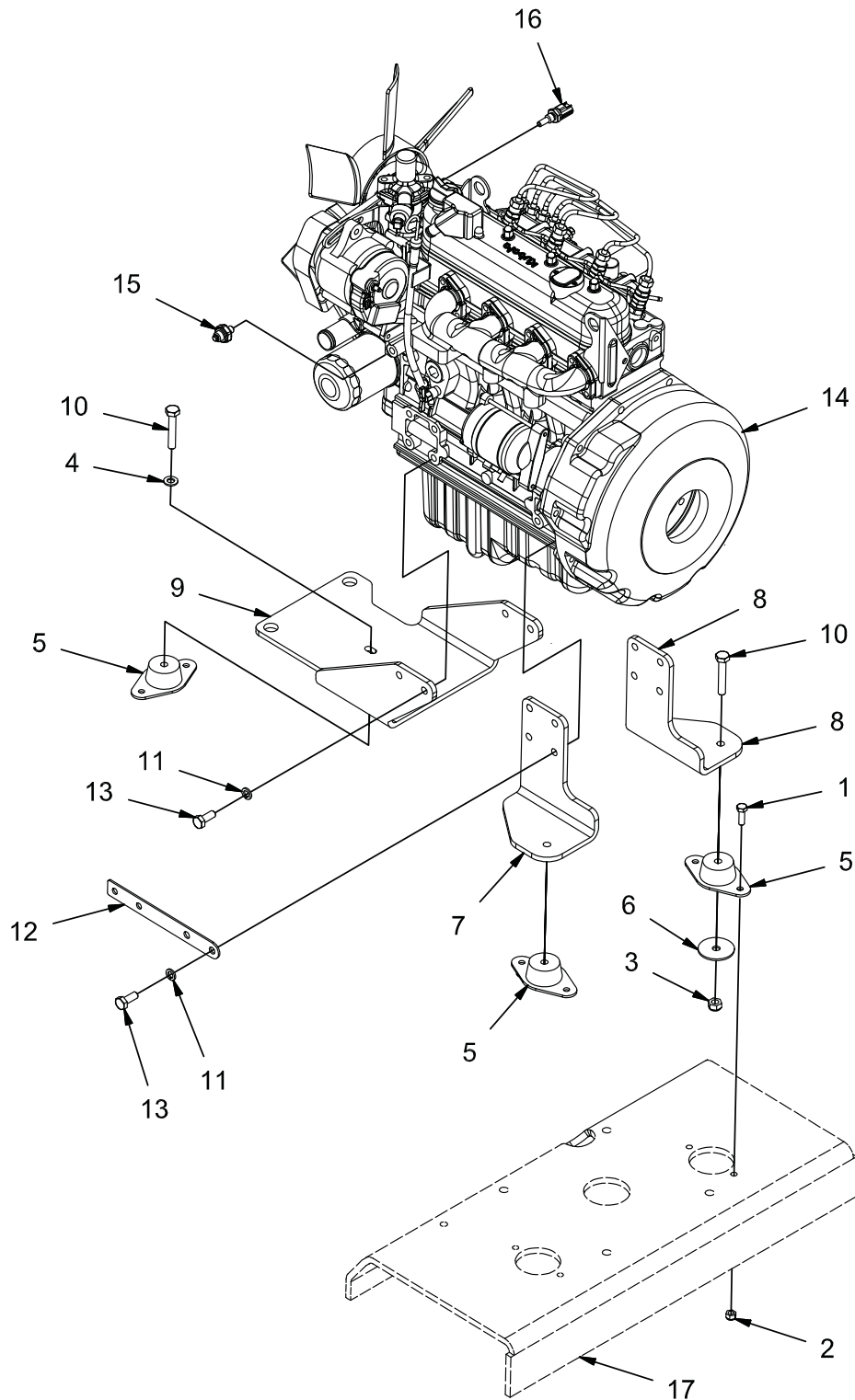


REV H

LPG TANK GROUP (600710)

Parts List 600710			
ITEM	PART NUMBER	QTY	DESCRIPTION
1	11038098	2	BOLT, M6-100 X 20 HH
2	11038346	6	BOLT, M10-1.50 X 25 HH
3	220131	1	BUCKLE
4	3300535	2	CLAMP, HOSE, .50
5	3316511	1	BOD, VALVE MOUNT
7	3335375	1	HOSE, LPG, TO TANK
8	3342097	3	FTG 3/8 MALE SAE FLARE X 1/4 NPT
9	3400383	2	WASHER, 1/4 BELLEVILLE
10	3400384	3	WASHER, 5/16 BELLEVILLE
11	3400385	6	WASHER, 3/8. BELLEVILLE
12	3400860	1	FTG-LP TANK CONNECT
13	3400862	1	LPG RELIEF VALVE
14	3400999	1	CLAMP, HOSE
15	600459-1	1	WELDMENT, LPG MNT
16	600461-1	1	ANGLE, LPG STOP
17	600906	1	HOSE, LPG, TO ENG
18	600908	1	FITTING, 45, BRASS, LPG
19	600934	3	NUT, M8-1.25 FLNG
20	600936	6	NUT, M10-1.50 FLNG
21	600949	1	NUT, M12-1.75
22	600961	1	LOCK WASHER, M12
23	620036	1	BOLT, M12-1.75 X 60 HH FULL THREAD
24	620237	1	MOUNT, VAPORIZER
25	620238	1	FITTING, 1/4 NPT STREET ELBOW, BRASS
26	620654	1	HOSE, WATER PUMP OUTLET
27	620655	1	HOSE, WATER RETURN
28	3400498	1	FITTING, NIPPLE
29	620666	1	HOSE, LP, 3/4 ID, 24 IN LG
30	717024	3	BOLT, M8-1.25 X 20 HH
31	829129	4	CLAMP, HOSE
32	PART OF 3316511	1	NUT, VALVE MOUNT
33	PART OF ENGINE	1	VAPORIZER (13098-62401)
34	PART OF ENGINE	1	SOLENOID AND LOCK OFF (EG523-46951)
35	REF	-	FRAME
36	REF	-	FRAME
37	REF	-	COVER FRAME
38	REF	-	TANK, LPG

ENGINE MOUNT GROUP - DIESEL (600657)

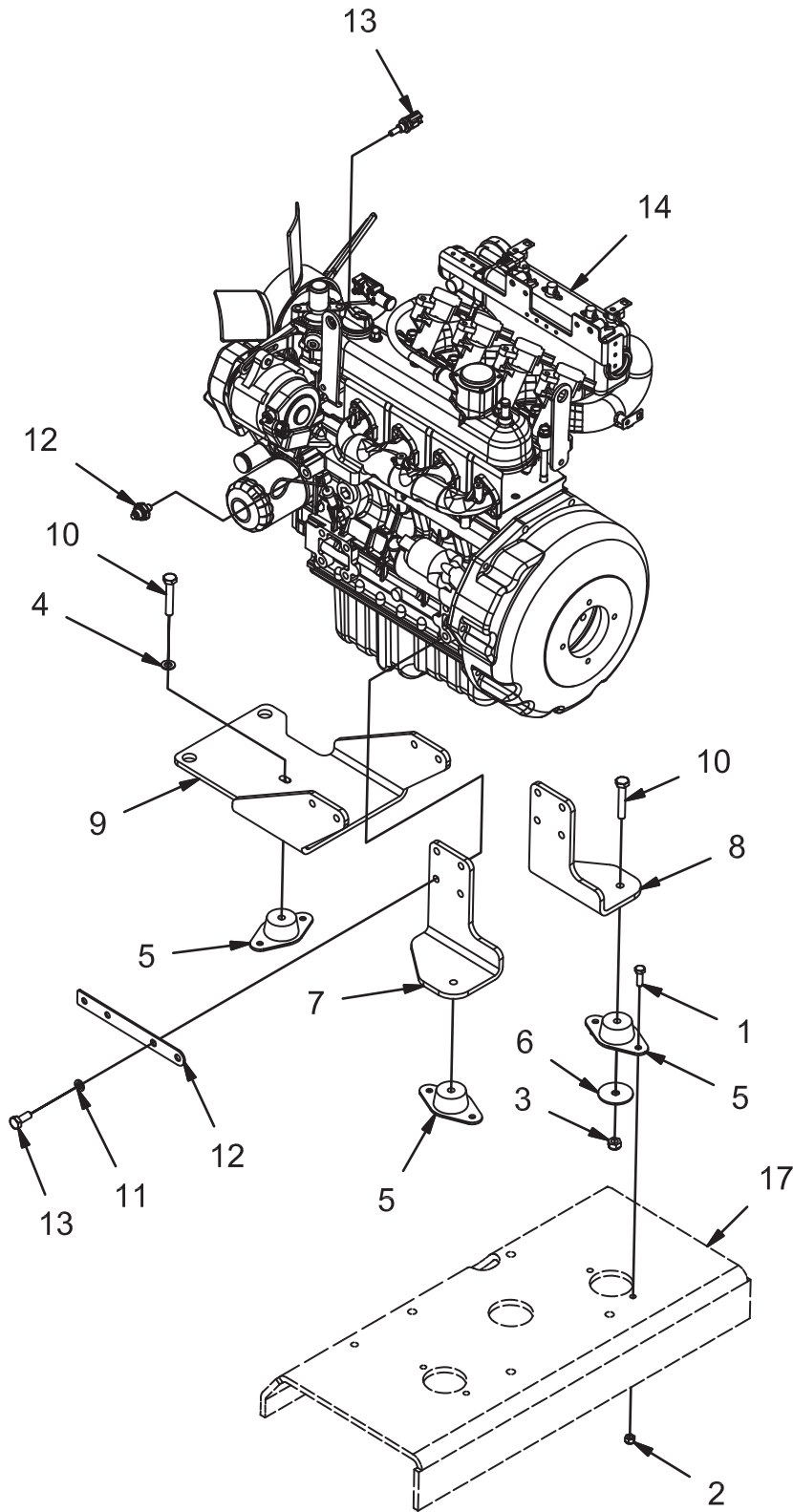


REV *

ENGINE MOUNT GROUP - DIESEL (600657)

Parts List			
ITEM	PART NUMBER	QTY	DESCRIPTION
1	11038247	6	BLT-HH M8-125 X 25 STL ZINC
2	12040051	6	NUT, M8-1.25 ESN
3	12040069	3	NUT, M10-1.50 ESN
4	12310058	1	WASHER, M10
5	600212	3	ISOLATOR, VIBRATION
6	600333	3	WASHER, SAFETY
7	600881	1	MOUNT, REAR OUTER DIESEL ENG
8	600882	1	MOUNT, REAR INNER DIESEL ENG
9	600899	1	MOUNT, FRONT DIESEL ENG
10	600925	3	BOLT, M10-1.50 X 60 HH
11	600945	12	LOCK WASHER, M10
12	620081	1	MOUNT, HARNESS
13	620082	12	BOLT, M10-1.25 X 25 HH ZP
14	620234	1	ENGINE, DSL, (KUBOTA V1505-11995)
15	PART OF 620234	1	SWITCH, OIL PRESSURE (603015)
16	PART OF 620234	1	SWITCH, WATER TEMP (603014)
17	REF.	-	FRAME

ENGINE MOUNT GROUP - GAS (600658)

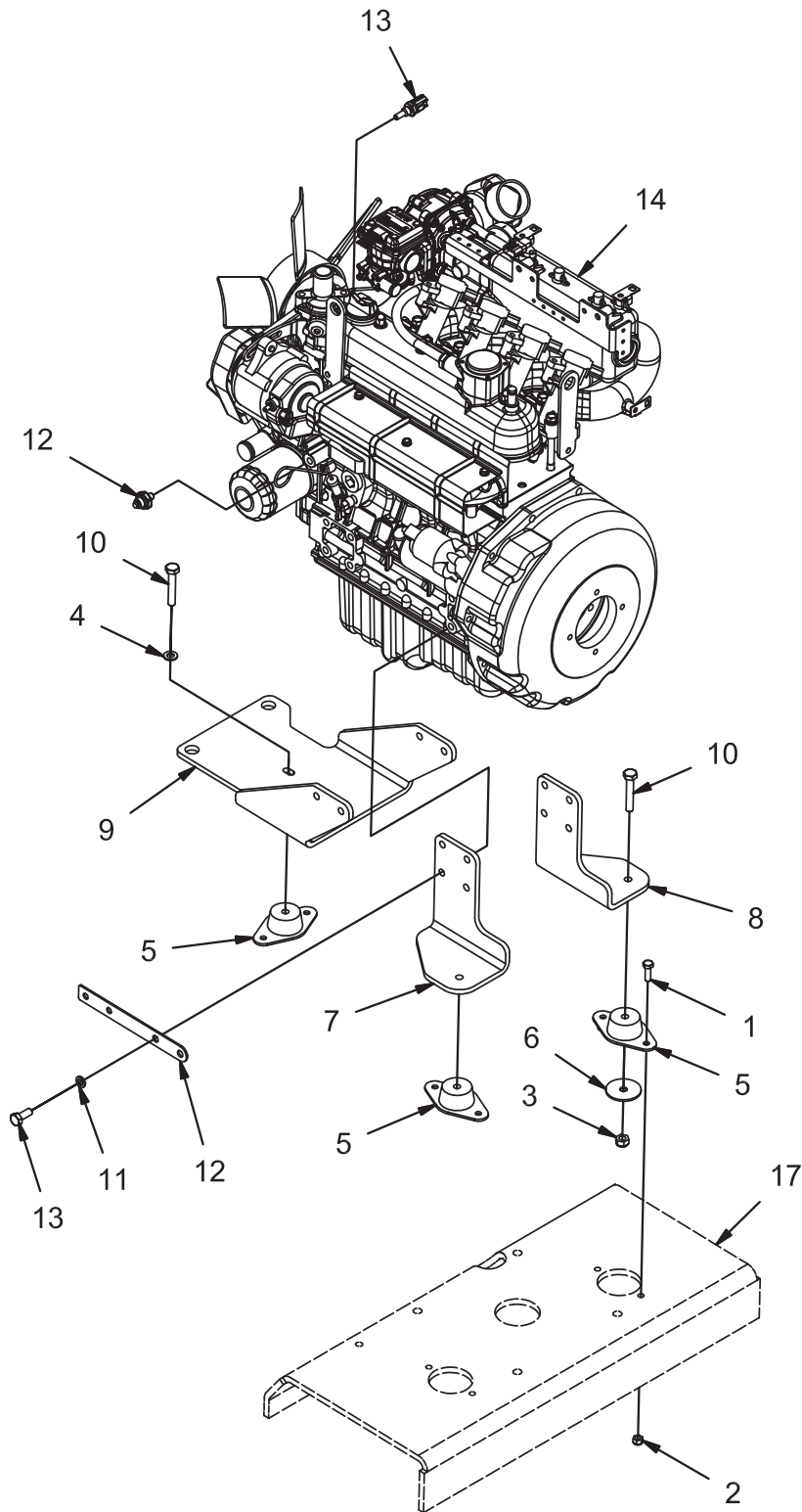


REV B

ENGINE MOUNT GROUP - GAS (600658)

Parts List 600658			
ITEM	PART NUMBER	QTY	DESCRIPTION
1	11038247	6	BLT-HH M8-125 X 25 STL ZINC
2	12040051	6	NUT, M8-1.25 ESN
3	12040069	3	NUT, M10-1.50 ESN
4	12310058	1	WASHER, M10
5	600212	3	ISOLATOR, VIBRATION
6	600333	3	WASHER, SAFETY
7	600881	1	MOUNT, REAR OUTER DIESEL ENG
8	600882	1	MOUNT, REAR INNER DIESEL ENG
9	600899	1	MOUNT, FRONT DIESEL ENG
10	600925	3	BOLT, M10-1.50 X 60 HH
11	600945	12	LOCK WASHER, M10
12	620081	1	MOUNT, HARNESS
13	620082	12	BOLT, M10-1.25 X 25 HH ZP
14	620700	1	ENGINE, GAS (KUBOTA WG1605G-12380)
15	PART OF 620700	1	SWITCH, OIL PRESSURE (603001)
16	PART OF 620700	1	SWITCH, WATER TEMP (603000)
17	REF.	-	FRAME
-	748423	1	WIRE ASSY, FUEL PUMP

ENGINE MOUNT GROUP - LPG (600659)

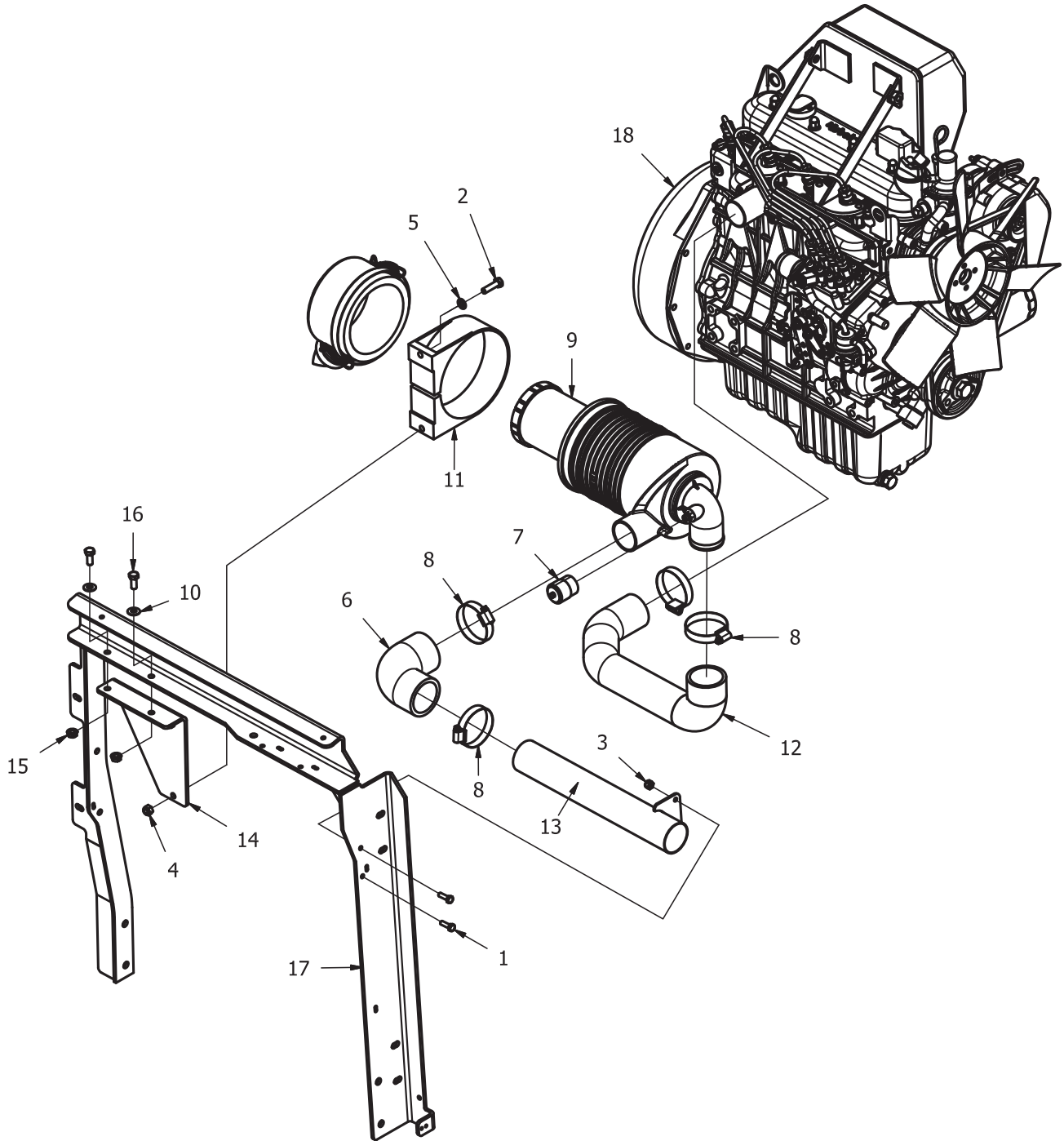


REV A

ENGINE MOUNT GROUP - LPG (600659)

Parts List 600659			
ITEM	PART NUMBER	QTY	DESCRIPTION
1	11038247	6	BLT-HH M8-125 X 25 STL ZINC
2	12040051	6	NUT, M8-1.25 ESN
3	12040069	3	NUT, M10-1.50 ESN
4	12310058	1	WASHER, M10
5	600212	3	ISOLATOR, VIBRATION
6	600333	3	WASHER, SAFETY
7	600881	1	MOUNT, REAR OUTER DIESEL ENG
8	600882	1	MOUNT, REAR INNER DIESEL ENG
9	600899	1	MOUNT, FRONT DIESEL ENG
10	600925	3	BOLT, M10-1.50 X 60 HH
11	600945	12	LOCK WASHER, M10
12	620081	1	MOUNT, HARNESS
13	620082	12	BOLT, M10-1.25 X 25 HH ZP
14	620699	1	ENGINE, LPG (KUBOTA WG1605L-12293)
15	PART OF 620699	1	SWITCH, OIL PRESSURE (603001)
16	PART OF 620699	1	SWITCH, WATER TEMP (603000)
17	REF.	-	FRAME

AIR CLEANER GROUP - DIESEL (600614)

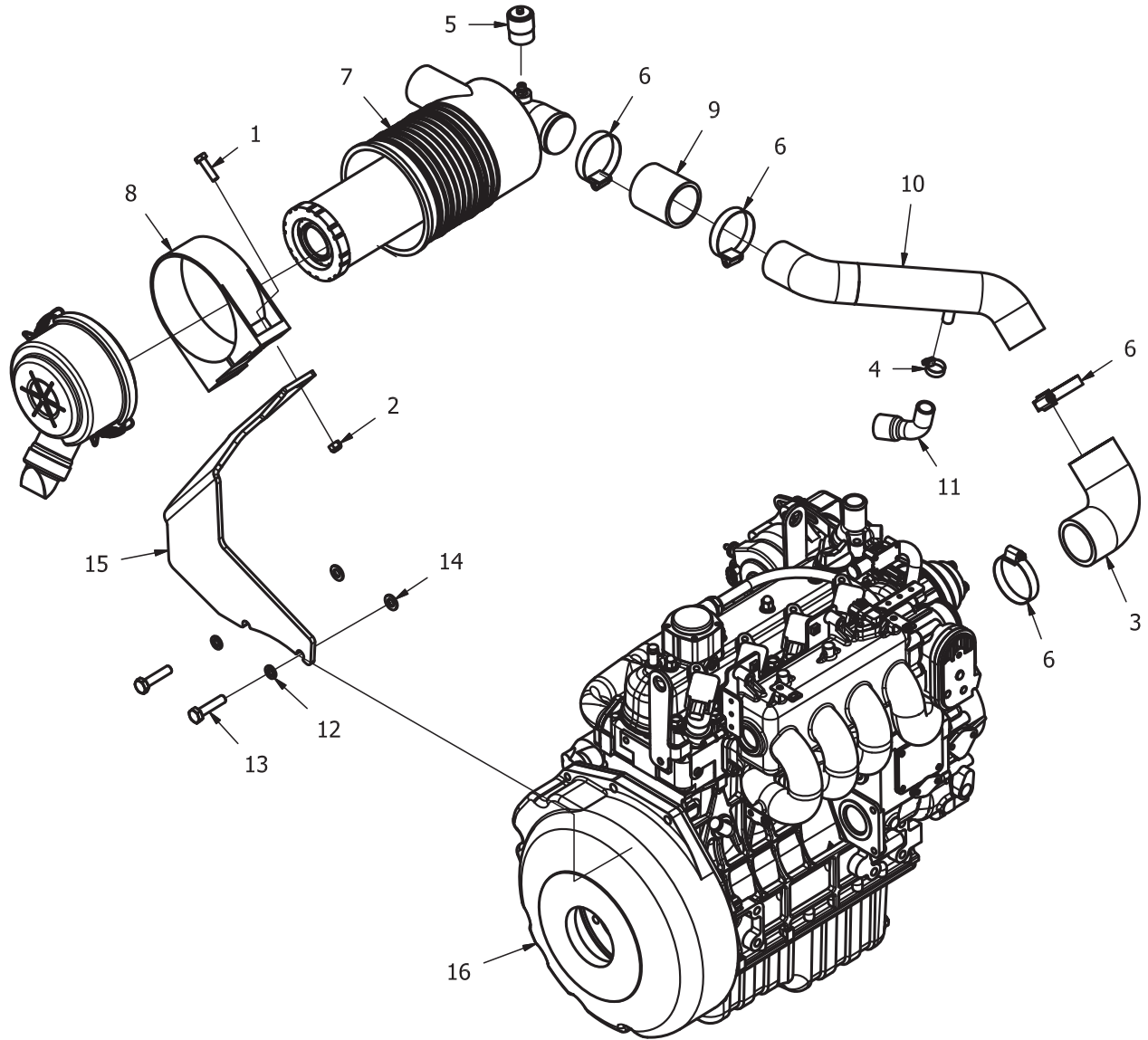


REV A

AIR CLEANER GROUP - DIESEL (600614)

PARTS LIST			
ITEM	PART NUMBER	QTY	DESCRIPTION
1	11038098	2	BOLT, M6-100 X 20 HH
2	11038254	2	BOLT, M8-125 X 30 HH
3	12040044	2	NUT, M6-1.00 ESN
4	12040051	2	NUT, M8-1.25 ESN
5	12310041	2	WASHER, M8
6	3300396	1	ADAPTER, 2" 90
7	3303991	1	INDICATOR, FLTR SERVICE
8	3312189	4	CLAMP, HOSE, 2.00
9	3317917	1	HOUSING, AIR FLTR
10	3400384	2	WASHER, 5/16 BELLEVILLE
11	600385	1	MOUNTING BAND, AIR CLEANER
12	600866	1	HOSE, DIESEL INTAKE
13	600877	1	WELDMENT, AIR INTAKE, DIESEL
14	600883	1	MOUNT, AIR CLEANER, DIESEL
15	600934	2	NUT, M8-1.25 FLNG
16	717024	2	BOLT, M8-1.25 X 20 HH
17	REF.	1	WELDMENT, COVER FRAME
18	REF.	1	DIESEL ENGINE

AIR CLEANER GROUP - GAS (600629)

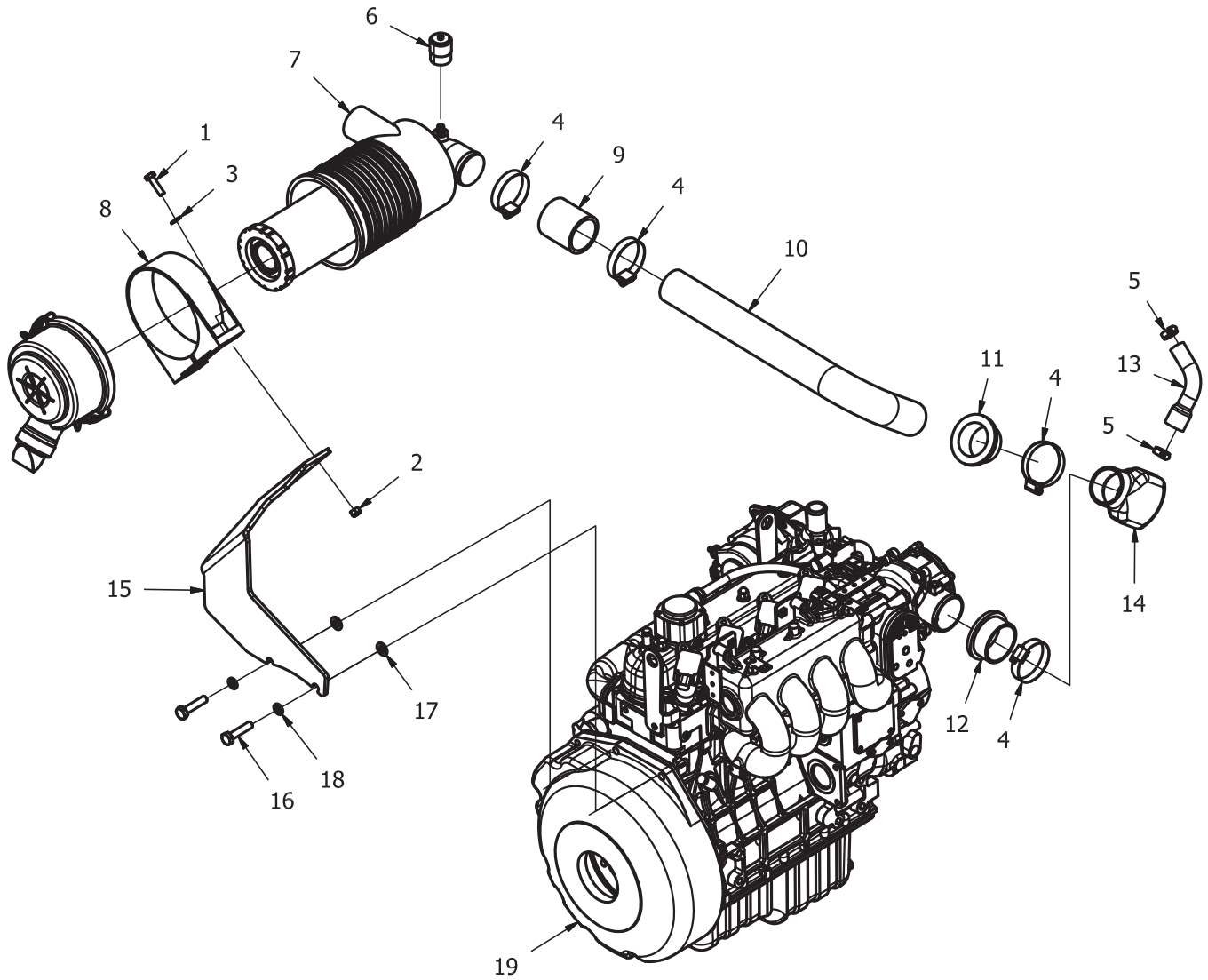


REV D

AIR CLEANER GROUP - GAS (600629)

PARTS LIST			
ITEM	PART NUMBER	QTY	DESCRIPTION
1	11038254	2	BOLT, M8-125 X 30 HH
2	12040051	2	NUT, M8-1.25 ESN
3	3300396	1	ADAPTER, 2" 90
4	3300535	1	CLAMP, HOSE, .50
5	3303991	1	INDICATOR, FLTR SERVICE
6	3312189	4	CLAMP, HOSE, 2.00
7	3317917	1	HOUSING, AIR FLTR
8	600385	1	MOUNTING BAND, AIR CLEANER
9	600580	1	HOSE, 2.00 X 2.50
10	620648	1	WELDMENT, INTAKE TUBE, GAS
11	620659	1	HOSE, PCV, 20 IN
12	600945	2	LOCK WASHER, M10
13	620667	2	SCR-HH M10-45
14	12310058	2	WASHER
15	620664	1	AIR CLEANER MOUNT
16	REF.	1	LPG ENGINE

AIR CLEANER GROUP - LPG (600605)

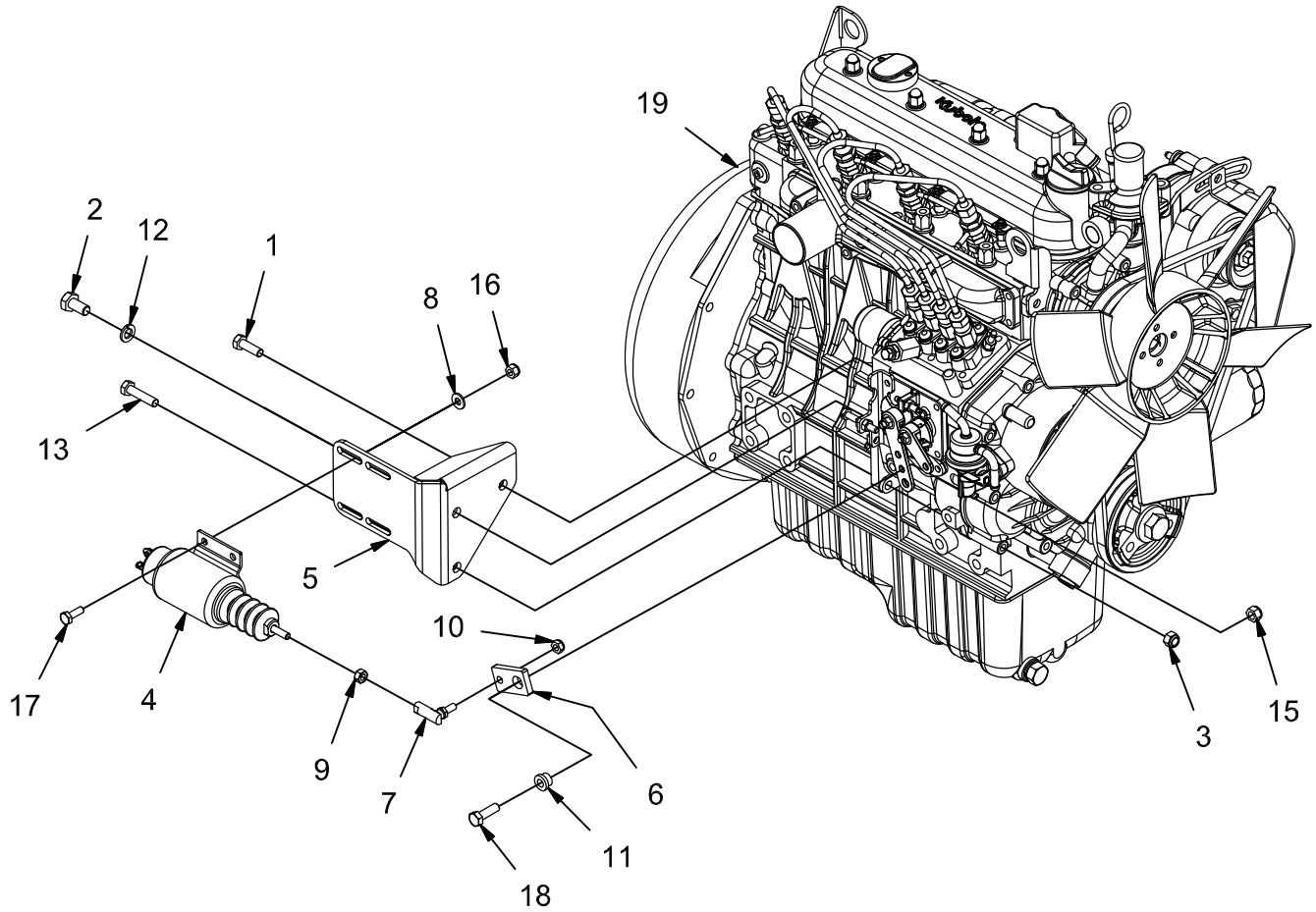


REV E

AIR CLEANER GROUP - LPG (600605)

PARTS LIST			
ITEM	PART NUMBER	QTY	DESCRIPTION
1	11038254	2	BOLT, M8-125 X 30 HH
2	12040051	2	NUT, M8-1.25 ESN
3	12310041	2	WASHER, M8
4	3044112	4	CLAMP, HOSE
5	3300535	2	CLAMP, HOSE, .50
6	3303991	1	INDICATOR, FLTR SERVICE
7	3317917	1	HOUSING, AIR FLTR
8	600385	1	MOUNTING BAND, AIR CLEANER
9	730056	1	HOSE, 2.00 X 2.50
10	620652	1	TUBE, AIR INTAKE, LPG
11	620656	1	INSERT, 2.25 IN TO 2.00 IN ID
12	620657	1	INSERT, 2.25 IN ID TO 2.00 ID
13	620660	1	HOSE, PCV, 26 IN
14	620662	1	COBRA AIR INTAKE
15	620664	1	AIR CLEANER MOUNT
16	620667	2	SCR-HH M10-45 X 1.25 ZP
17	12310058	2	WASHER
18	600945	2	LOCK WASHER, M10
19	REF.	1	LPG ENGINE

THROTTLE SOLENOID GROUP - DIESEL (600628)

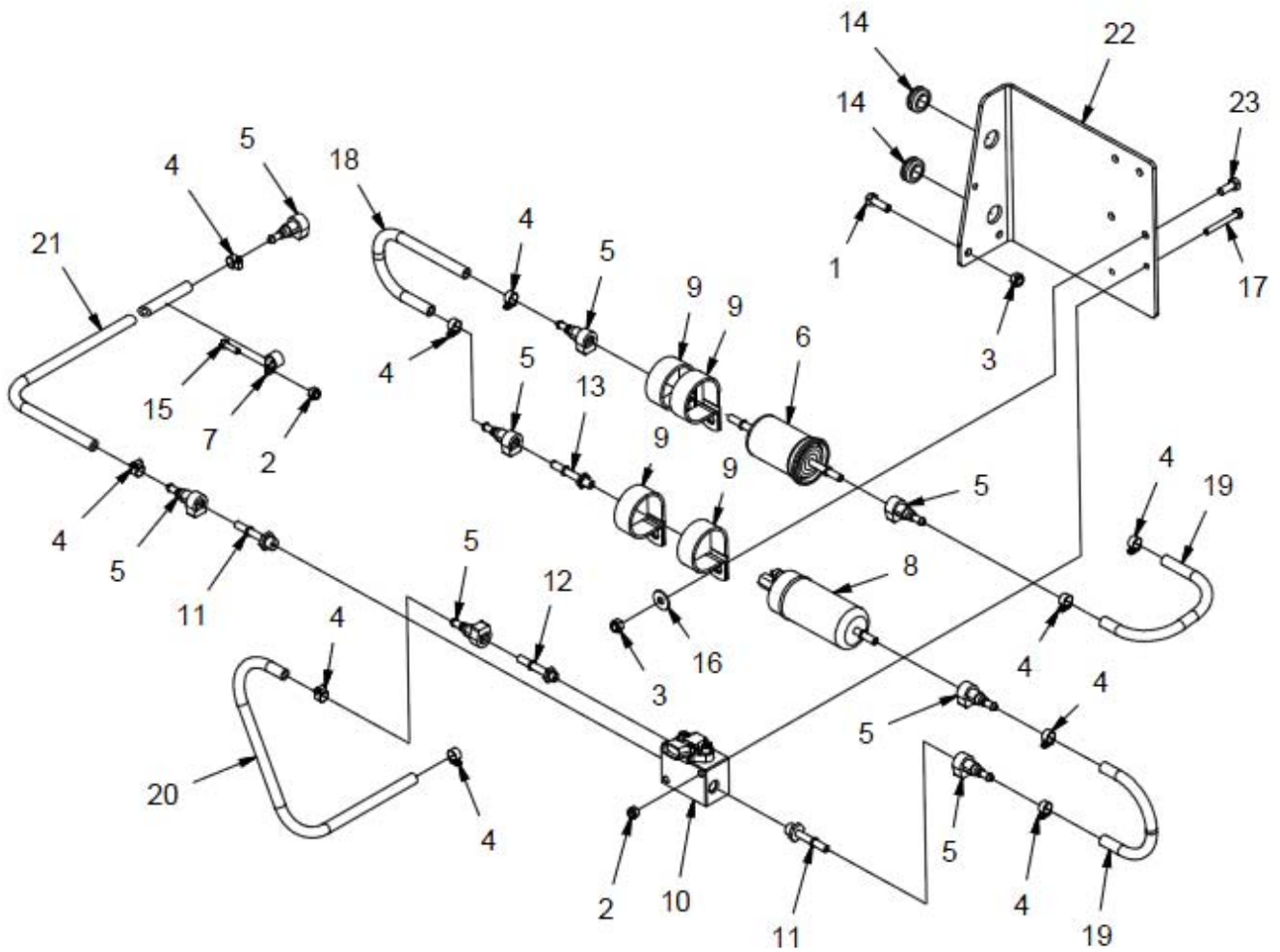


REV B

THROTTLE SOLENOID GROUP - DIESEL (600628)

Parts List			
ITEM	PART NUMBER	QTY	DESCRIPTION
1	11038247	1	BLT-HH M8-125 X 25 STL ZINC
2	11038353	1	BOLT, M10-1.50 X 20 HH
3	12040051	1	NUT, M8-1.25 ESN
4	3335303	1	SOLENOID, THROTTLE
5	3335358	1	BRACKET, THROTTLE SOLENOID
6	3335364	1	PLT, KBA V1505 DSL SOLENOID THROTTLE
7	3342225	1	BALL JOINT, 1/4-28 STD LG
8	3400089	4	WASHER, 1/4 .625 X .281 X .063
9	3400180	1	NUT, 1/4-28
10	3400373	1	NUT, LOW HEIGHT 1/4-28 ESN
11	3401071	1	BUSHING, FLNG, .312 ID X .50 OD X .375
12	3401458	1	LOCK WASHER, M10
13	600918	1	BOLT, M8-125 X 35 HH
14	600959	2	LOCK WASHER, M8
15	711374	1	NUT, FIBER INSERT 5/16-18
16	711377	4	NUT, FIBER INSERT 1/4-20
17	713002	4	SCREW, 1/4-20 X .750 HHC
18	713027	1	SCREW, 5/16-18 X 1.000 HHM
19	REF.	-	ENGINE, DIESEL

FUEL COMPONENT GROUP - GAS (600635)

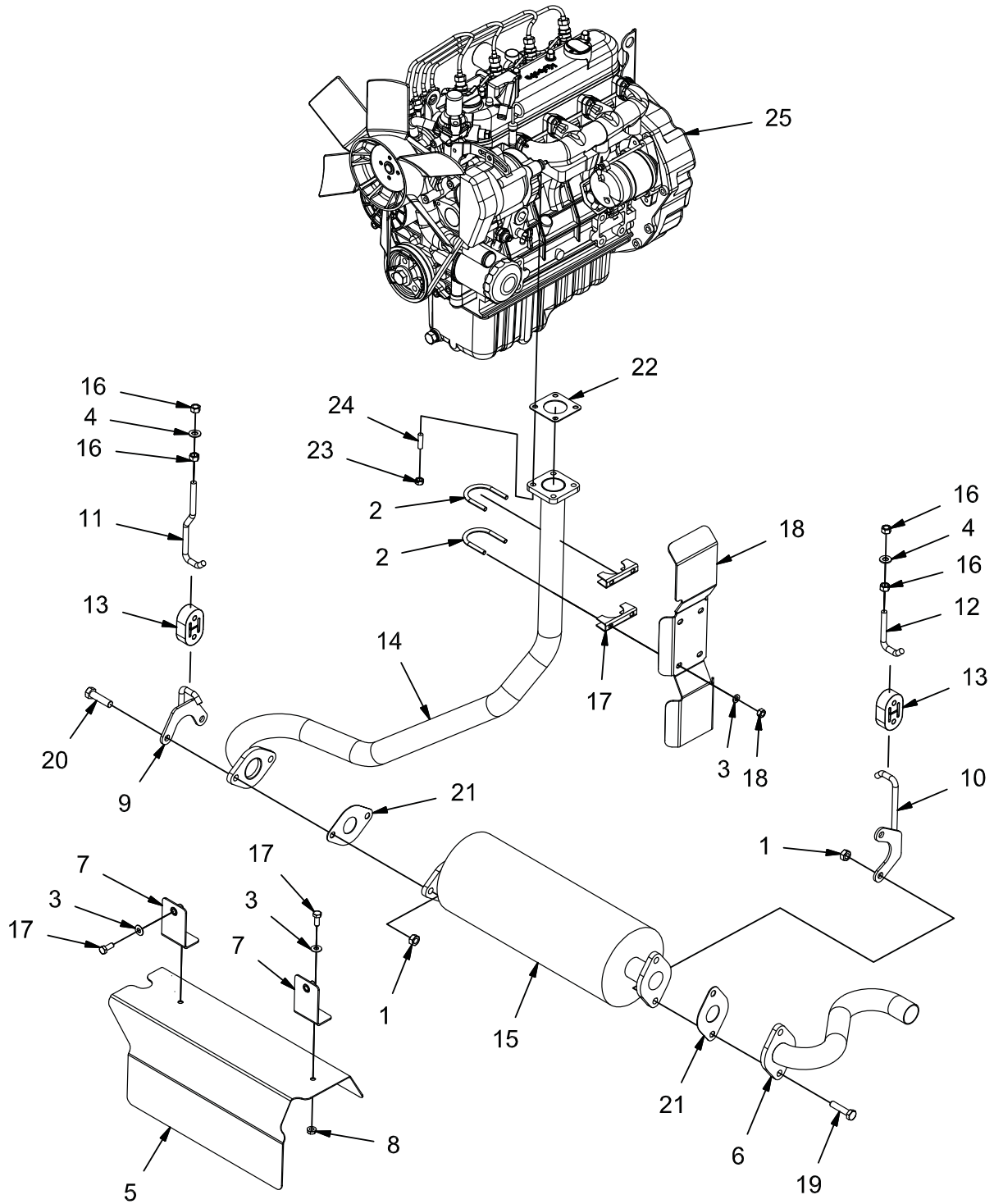


REV A

FUEL COMPONENT GROUP - GAS (600635)

Parts List			
ITEM	PART NUMBER	QTY	DESCRIPTION
1	11038247	2	SCR-HH M8-1.25 X 25 ZP CLASS 8.8
2	12040044	3	NUT-NYLOC M6 X 1.0 ZP CLASS 6
3	12040051	6	NUT-NYLOC M8 X 1.25 ZP CLASS 8
4	3302338	10	CLAMP-HOSE .22 TO .62
5	3342207	8	FTG-FUEL HOSE BARB
6	3342209	1	FILTER-FUEL GM 1.6/3.0
7	3343082	1	CLAMP-PIPE, 9/16 DIA, INSULATED (STRAP)
8	3343536	1	PUMP-FUEL GM1.6L & GM3.0
9	3343539	4	CLAMP-P TYPE, 2 DIA
10	3343617	1	MANIFOLD-FUEL TEMP/RETURN
11	3401088	2	FTG-6 STOR-5/16 SAE J2044
12	3401089	1	FTG-3 STOR-3/8 SAE J2044
13	3401090	1	FTG-ADAPTER, FUEL 3/8-24 NO RING
14	600151	2	GROMMET, .63 ID .88 OD .25 T
15	600913	1	SCR-HH M6-1.00 X 20 SS
16	600940	4	WASHER-FENDER M8 X 24 ZP
17	600953	2	SCR-HH M6-1.00 X 50 SS
18	620001	1	HOSE - FUEL 5/16 ID 12.00 LG, EVAP RATED
19	620002	2	HOSE - FUEL 5/16 ID 10.00 LG, EVAP RATED
20	620003	1	HOSE - FUEL 5/16 ID 17.00, EVAP RATED
21	620004	1	HOSE - FUEL 5/16 ID 36.00 LG, EVAP RATED
22	620643	1	MOUNT, FUEL FILTER
23	717024	4	SCR-HH M8-1.25 X 20 ZP GRADE 8.8

EXHAUST GROUP - DIESEL (600671)

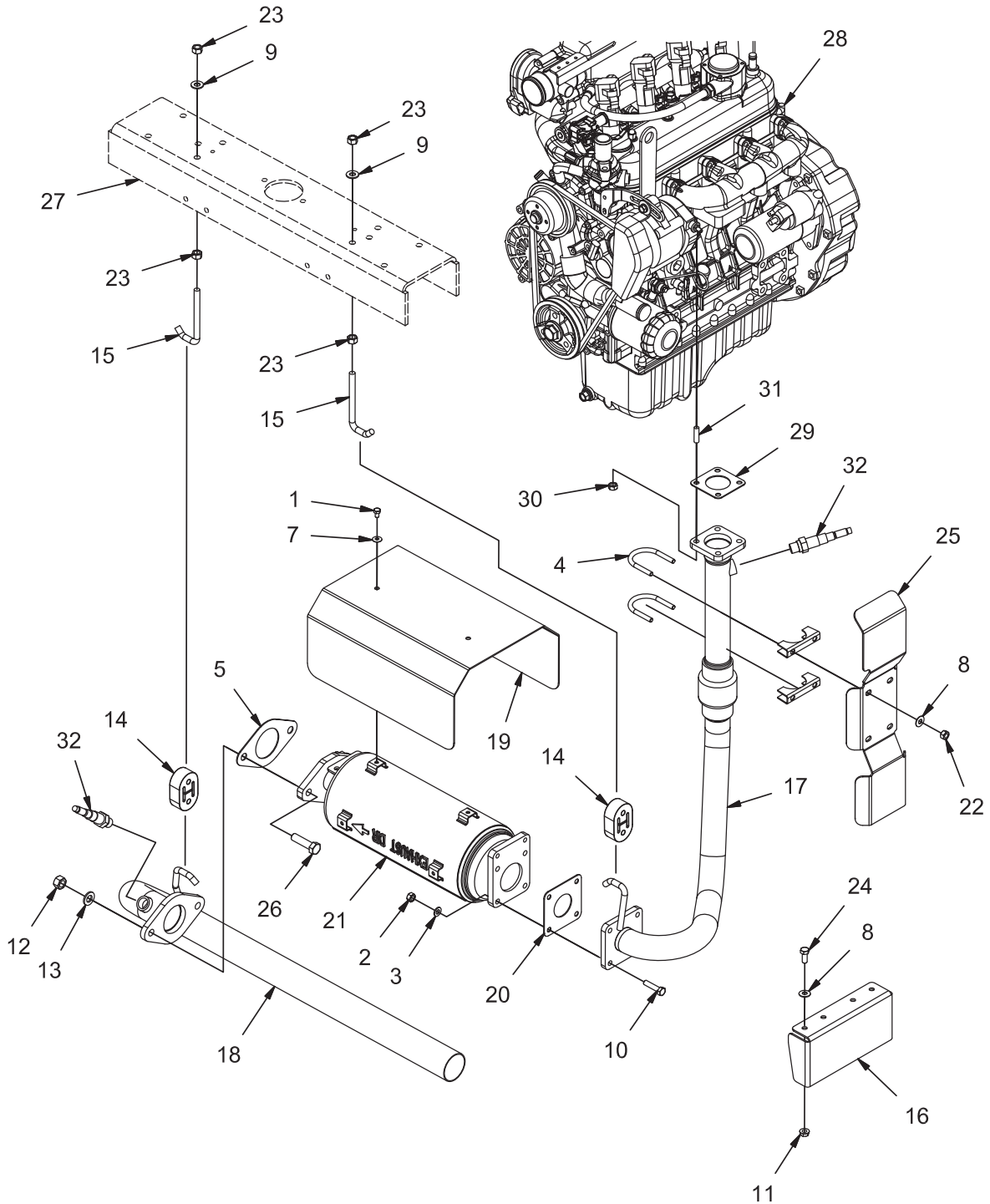


REV B

EXHAUST GROUP - DIESEL (600671)

Parts List 600671			
ITEM	PART NUMBER	QTY	DESCRIPTION
1	12022067	4	NUT, M10-1.50 HEX
2	3301641	2	CLAMP
3	3400384	4	WASHER, 5/16 BELLEVILLE
4	3400385	2	WASHER, 3/8. BELLEVILLE
5	600497	1	HEAT SHIELD
6	600501	1	WELDMENT, TAILPIPE
7	600805-1	2	ASSEMBLY, SHIELD MNT
8	600934	2	NUT, M8-1.25 FLNG
9	620197	1	WELDMENT, EXHAUST HANGER, FRONT
10	620199	1	WELDMENT, EXHAUST HANGER, REAR
11	620203	1	EXHAUST HANGER, UPPER FRONT
12	620204	1	EXHAUST HANGER, UPPER REAR
13	620205	2	EXHAUST ISOLATOR
14	620271	1	PIPE, EXHAUST
15	620644	1	MUFFLER
16	711328	4	NUT, HEX 3/8-16
17	717024	4	BOLT, M8-1.25 X 20 HH
18	730665	1	HEAT SHIELD
19	730666	2	BOLT, M10-1.50 X 45 HH
20	730667	2	BOLT, M12-1.75 X 45 HH
21	3333656	2	GASKET, EXHAUST
22	PART OF ENGINE	1	GASKET, EXHAUST
23	PART OF ENGINE	4	NUT, M8-1.25 SS
24	PART OF ENGINE	4	STUD, M8-1.25
25	REF.	-	DIESEL ENGINE

SINGLE EXHAUST GROUP GAS & LPG (620698)

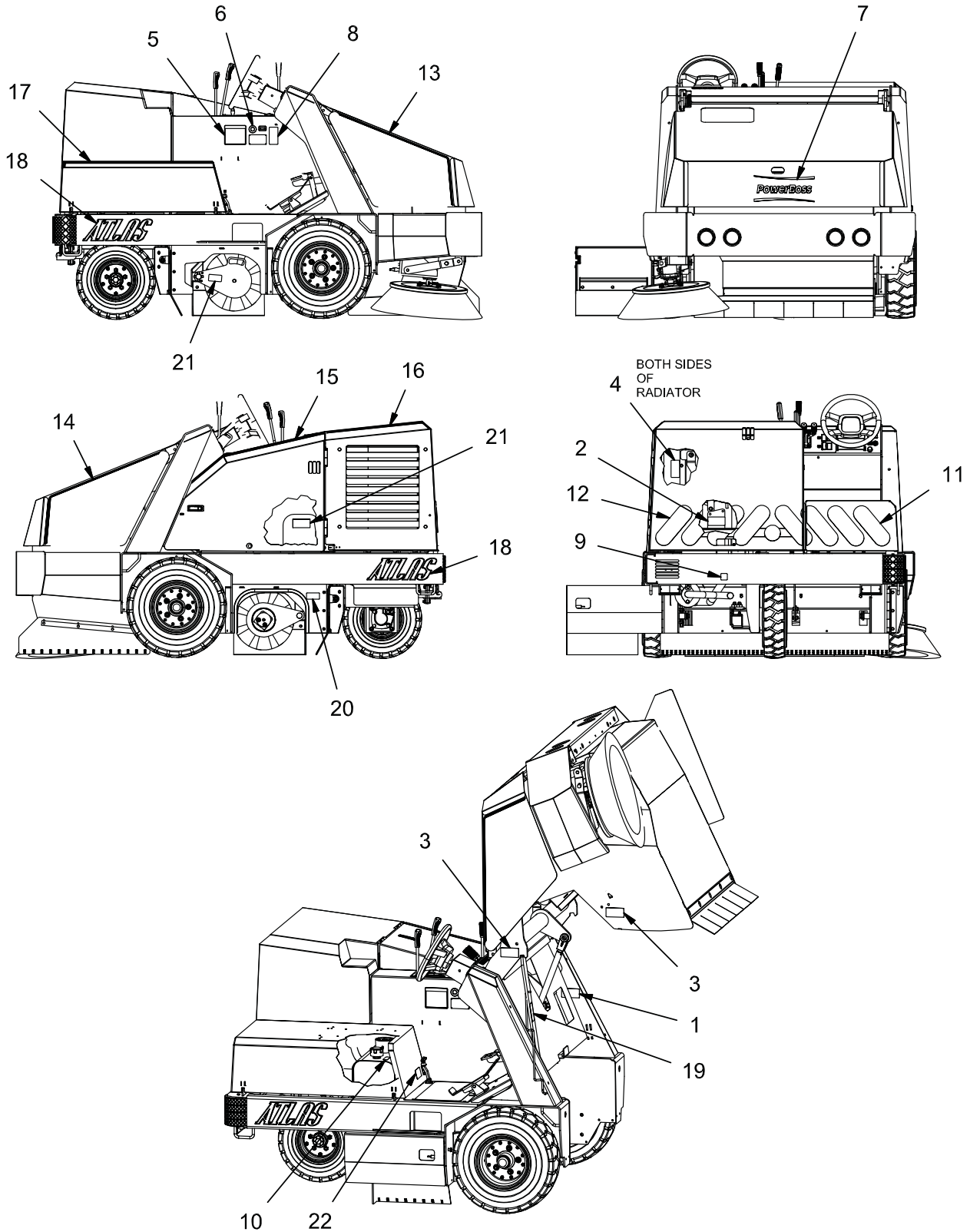


REV B

SINGLE EXHAUST GROUP GAS & LPG (620698)

Parts List 620698			
ITEM	PART NUMBER	QTY	DESCRIPTION
1	11038056	2	BOLT, M6-1.00 X 10 HH YZP
2	12022059	4	NUT, M8-1.25
3	12310041	4	WASHER, M8
4	3301641	2	CLAMP
5	3345028	1	GASKET - CAT 3605
7	3400383	2	WASHER, 1/4 BELLEVILLE
8	3400384	6	WASHER, 5/16 BELLEVILLE
9	3400385	2	WASHER, 3/8. BELLEVILLE
10	600918	4	BOLT, M8-125 X 35 HH
11	600934	2	NUT, M8-1.25 FLNG
12	600949	2	NUT, M12-1.75
13	600950	2	WASHER, M12
14	620205	2	EXHAUST ISOLATOR
15	620632	2	EXHAUST HANGER
16	620634	1	SHIELD, HEAT
17	620690	1	WELDMENT, EXHAUST PIPE
18	620691	1	WELDMENT, TAILPIPE
19	620697	1	HEAT SHIELD
20	690190	1	GASKET, CATALYST, 4-BOLT
21	690191	1	CATALYTIC CONVERTER, LPG - GAS
22	711319	4	NUT, HEX 5/16-18
23	711328	4	NUT, HEX 3/8-16
24	717024	2	BOLT, M8-1.25 X 20 HH
25	730665	1	HEAT SHIELD
26	730667	2	BOLT, M12-1.75 X 45 HH
27	REF.	-	FRAME, ENG MNT
28	REF.	-	ENGINE
29	WITH ENGINE	1	GASKET, EXHAUST
30	WITH ENGINE	4	NUT, M8-1.25 SS
31	WITH ENGINE	4	STUD, M8-1.25
32	WITH ENGINE	2	O2 SENSOR

DECAL GROUP - DIESEL (600643)

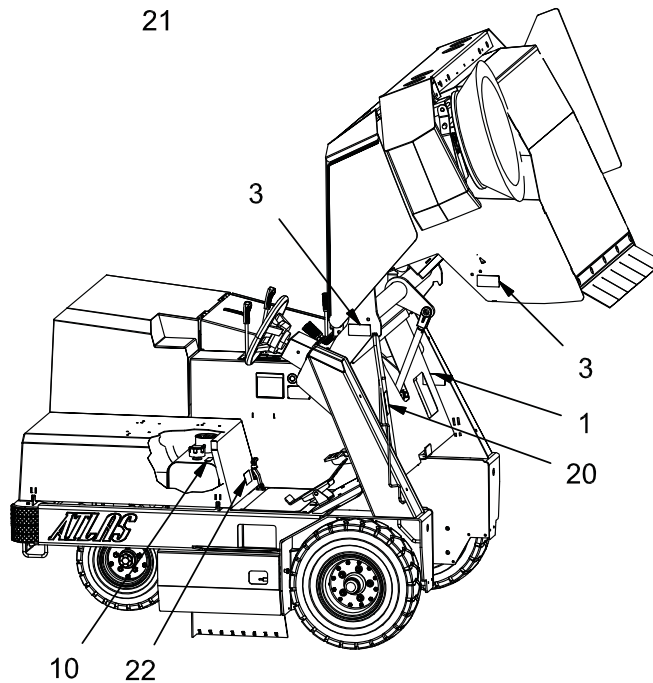
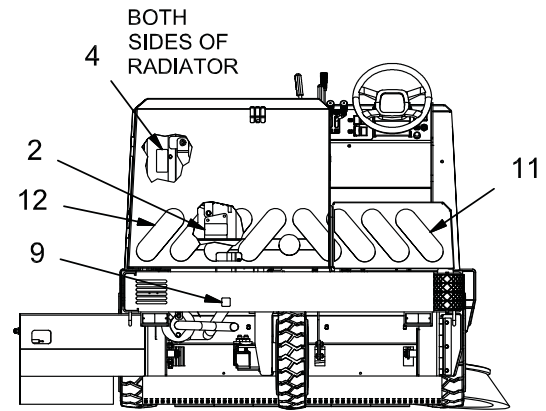
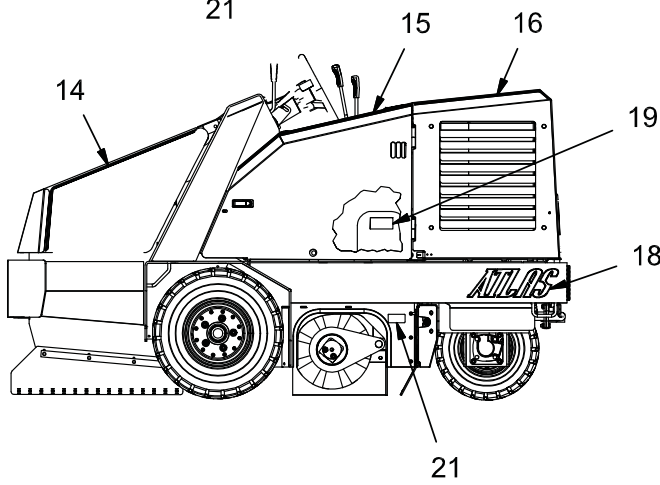
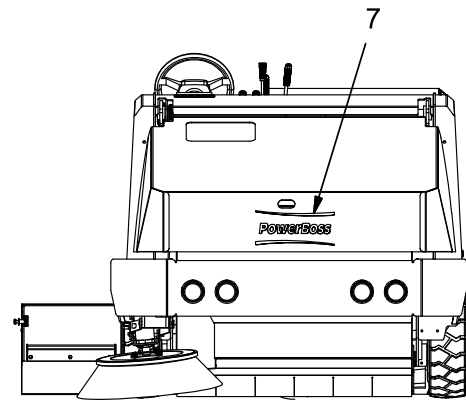
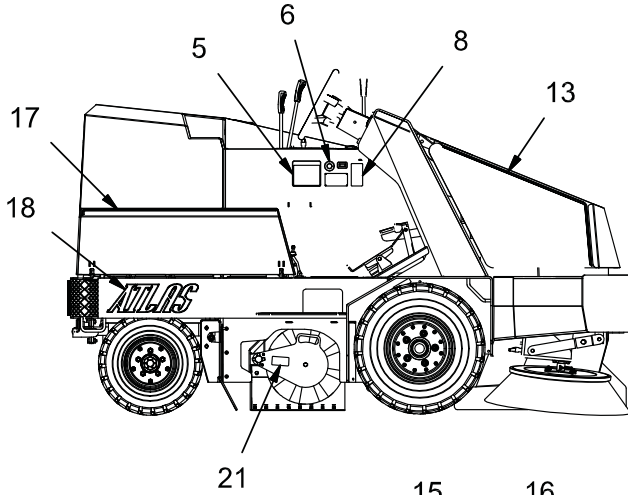


REV B

DECAL GROUP - DIESEL (600643)

Parts List 600643			
ITEM	PART NUMBER	QTY	DESCRIPTION
1	3301729	1	DECAL, WARNING, FAN INLET
2	3301730	1	DECAL, WARNING FAN BELT (ENG)
3	3301732	4	DECAL, WARNING, HOPPER (2 PER SIDE)
4	3301733	2	DECAL, WARNING FAN (RAD SHROUD)
5	3301854	1	DECAL, CAUTION
6	3334827	1	DECAL, MADE IN USA
7	3334900	1	DECAL, POWERBOSS
8	3342264	1	DECAL, READ MANUAL
9	3342978	1	DECAL, HOT SURFACE
10	715023	1	DECAL, HYDRAULIC OIL
11	715939	1	DECAL, HATCH, RH
12	715940	1	DECAL, HATCH, LH
13	715943	1	DECAL, PINSTRIPE, HOPPER, RH
14	715944	1	DECAL, PINSTRIPE, HOPPER, LH
15	715945	1	DECAL, PINSTRIPE, SIDE DOOR
16	715946	1	DECAL, PINSTRIPE, ENG COVER
17	715947	1	DECAL, PINSTRIPE, PUMP COVER
18	715948	2	DECAL, ATLAS
19	715951	1	DECAL, SAFETY ARM
20	715952	2	DECAL, WARNING, ROTATING BROOM
21	715953	1	DECAL, WARNING, DIESEL FUEL
22	715954	1	DECAL, COVER LATCH

DECAL GROUP - GAS (600641)

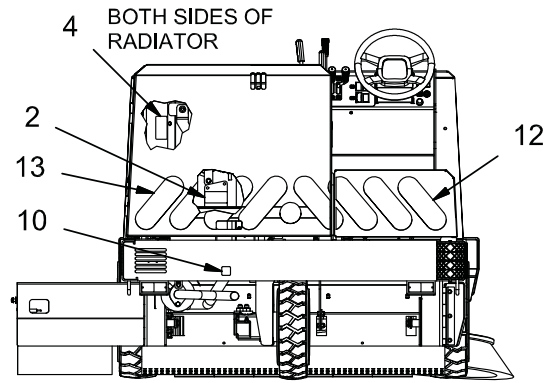
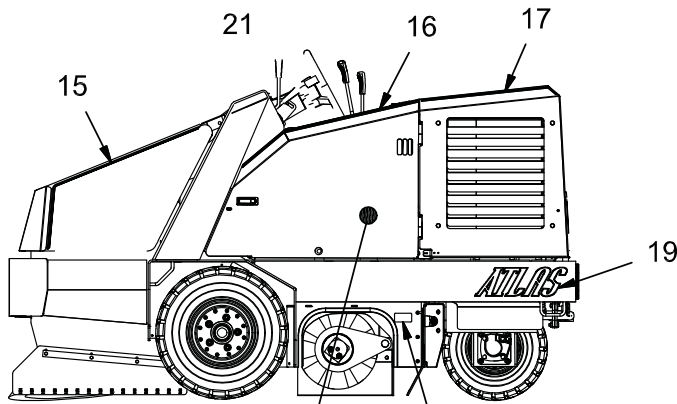
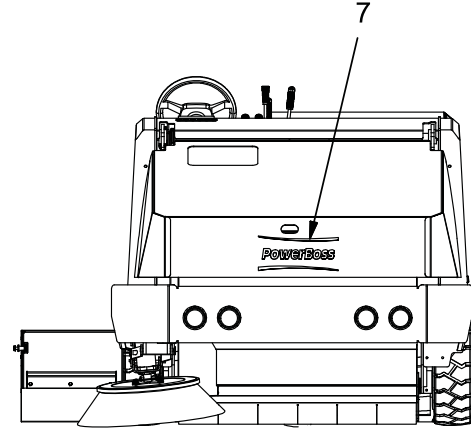
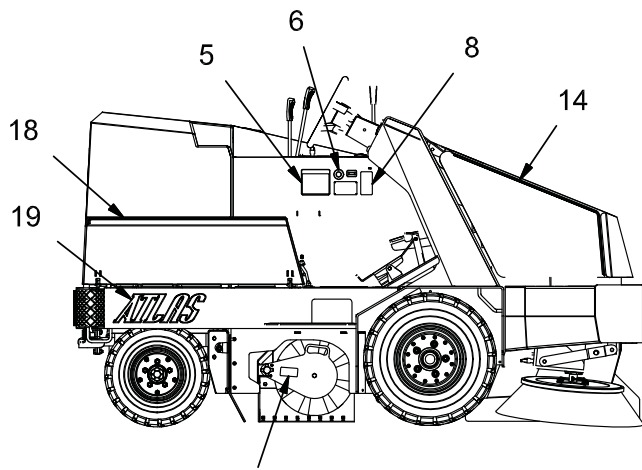


REV B

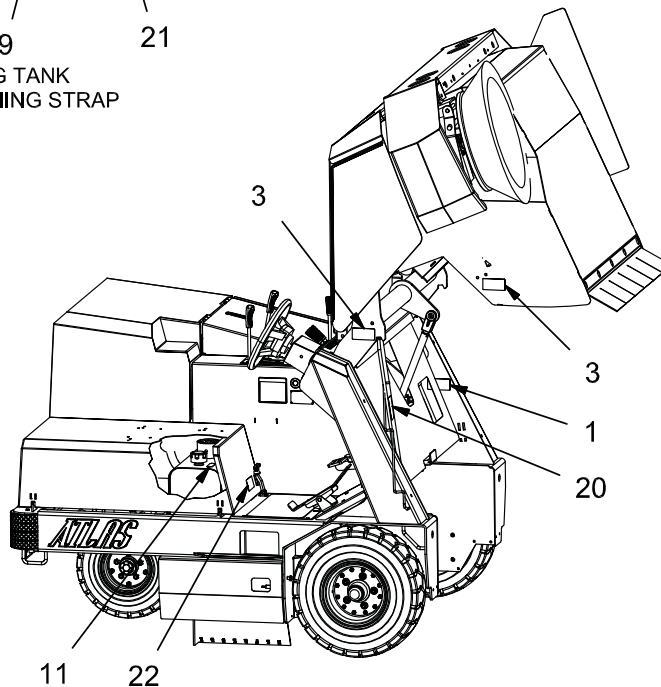
DECAL GROUP - GAS (600641)

Parts List 600641			
ITEM	PART NUMBER	QTY	DESCRIPTION
1	3301729	1	DECAL, WARNING, FAN INLET
2	3301730	1	DECAL, WARNING FAN BELT (ENG)
3	3301732	4	DECAL, WARNING, HOPPER (2 PER SIDE)
4	3301733	2	DECAL, WARNING FAN (RAD SHROUD)
5	3301854	1	DECAL, CAUTION
6	3334827	1	DECAL, MADE IN USA
7	3334900	1	DECAL, POWERBOSS
8	3342264	1	DECAL, READ MANUAL
9	3342978	1	DECAL, HOT SURFACE
10	715023	1	DECAL, HYDRAULIC OIL
11	715939	1	DECAL, HATCH, RH
12	715940	1	DECAL, HATCH, LH
13	715943	1	DECAL, PINSTRIPE, HOPPER, RH
14	715944	1	DECAL, PINSTRIPE, HOPPER, LH
15	715945	1	DECAL, PINSTRIPE, SIDE DOOR
16	715946	1	DECAL, PINSTRIPE, ENG COVER
17	715947	1	DECAL, PINSTRIPE, PUMP COVER
18	715948	2	DECAL, ATLAS
19	715949	1	DECAL, WARNING, GASOLINE
20	715951	1	DECAL, SAFETY ARM
21	715952	2	DECAL, WARNING, ROTATING BROOM
22	715954	1	DECAL, COVER LATCH

DECAL GROUP - LPG (600642)



ON LPG TANK
RETAINING STRAP



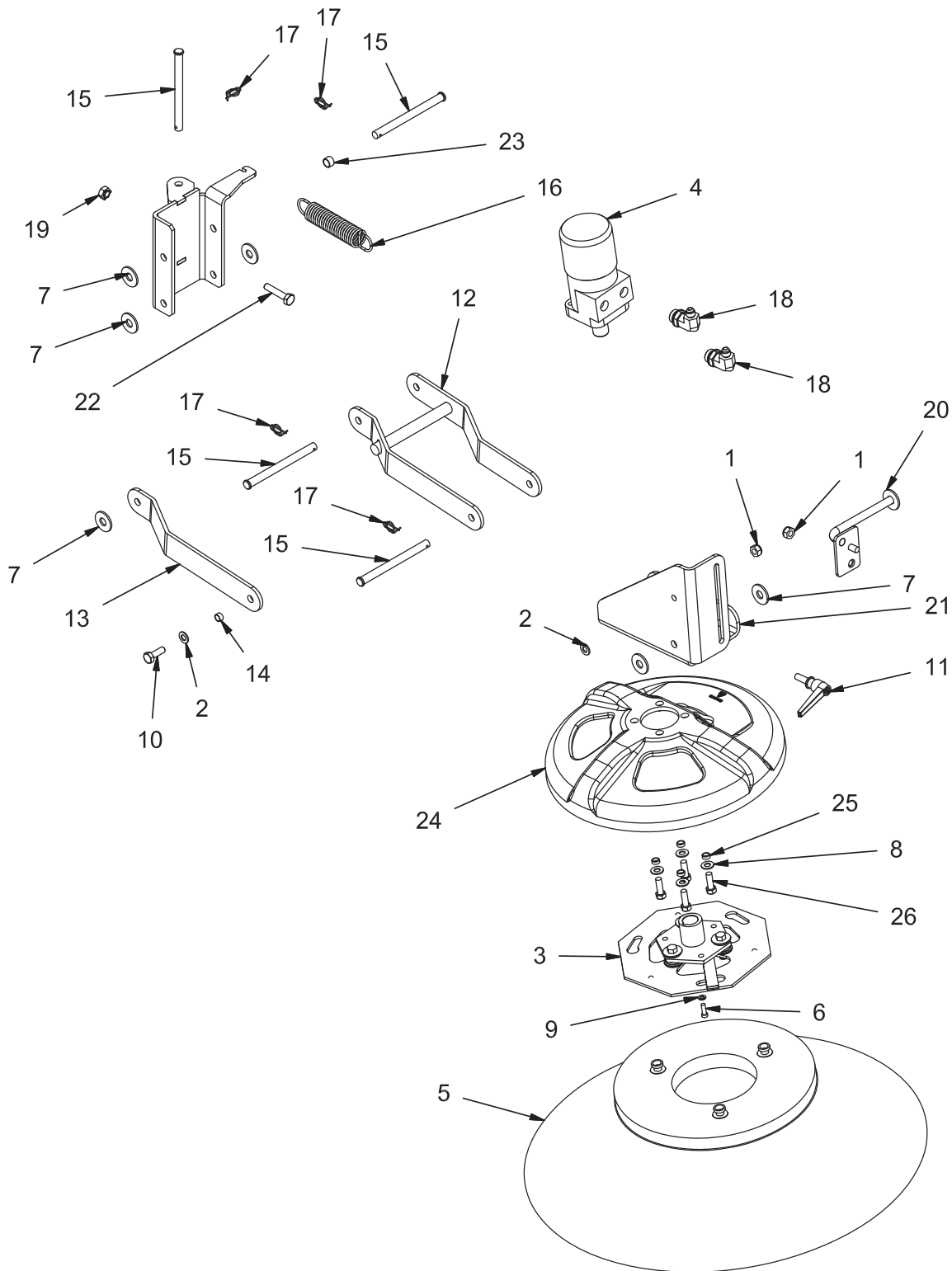
REV B

DECAL GROUP - LPG (600642)

Parts List 600642			
ITEM	PART NUMBER	QTY	DESCRIPTION
1	3301729	1	DECAL, WARNING, FAN INLET
2	3301730	1	DECAL, WARNING FAN BELT (ENG)
3	3301732	4	DECAL, WARNING, HOPPER (2 PER SIDE)
4	3301733	2	DECAL, WARNING FAN (RAD SHROUD)
5	3301854	1	DECAL, CAUTION
6	3334827	1	DECAL, MADE IN USA
7	3334900	1	DECAL, POWERBOSS
8	3342264	1	DECAL, READ MANUAL
9	3342971	1	DECAL, WARNING, LPG FUEL
10	3342978	1	DECAL, HOT SURFACE
11	715023	1	DECAL, HYDRAULIC OIL
12	715939	1	DECAL, HATCH, RH
13	715940	1	DECAL, HATCH, LH
14	715943	1	DECAL, PINSTRIPE, HOPPER, RH
15	715944	1	DECAL, PINSTRIPE, HOPPER, LH
16	715945	1	DECAL, PINSTRIPE, SIDE DOOR
17	715946	1	DECAL, PINSTRIPE, ENG COVER
18	715947	1	DECAL, PINSTRIPE, PUMP COVER
19	715948	2	DECAL, ATLAS
20	715951	1	DECAL, SAFETY ARM
21	715952	2	DECAL, WARNING, ROTATING BROOM
22	715954	1	DECAL, COVER LATCH

DUAL SIDE BROOM (DSB)

DSB LH SIDE BROOM GROUP W/ SHROUD DSB (620733)

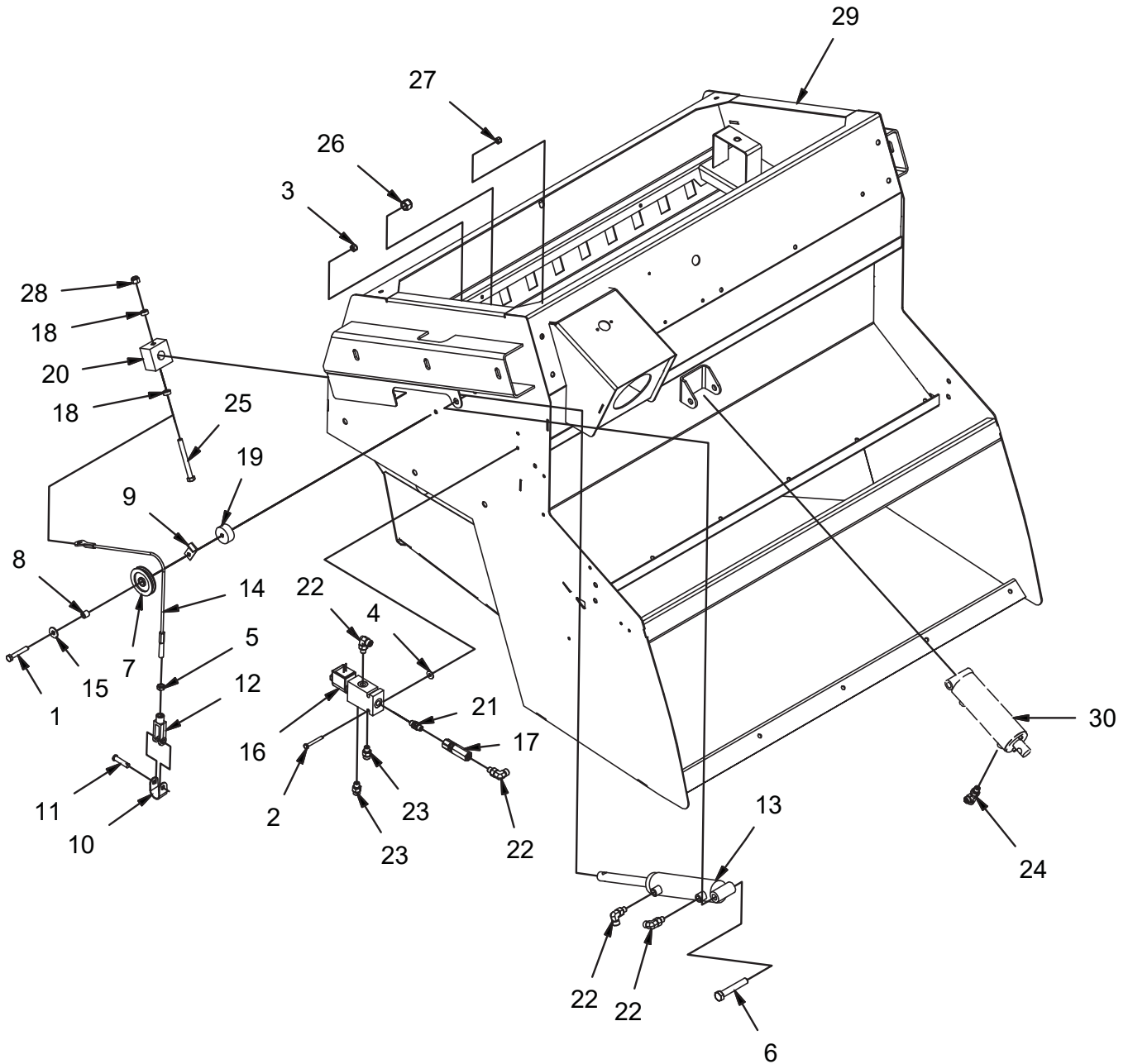


REV B

DSB LH SIDE BROOM GROUP W/ SHROUD DSB (620733)

Parts List - 620733			
ITEM	PART NUMBER	QTY	DESCRIPTION
1	12040069	2	NUT, M10-1.50 ESN
2	12310058	3	WASHER, M10
3	3301474	1	ASSY- DRIVE SCRUB BRUSH CB SUB
4	3316897	1	MOTOR-HYD CURB BRM
5	3339964	1	BROOM, SIDE 26" POLY
6	3400049	1	SCR-SHCS 1/4-20 X 0.75 BLK OX NYL PATCH
7	3400086	6	WASHER, 1/2, 1.063 X .531 X .094
8	3400087	4	WASHER-FLAT 3/8 ZP
9	3400103	1	LOCK WASHER, 1/4 HS MED
10	3401051	1	BOLT, M10-1.50 X 30 HH
11	600260	1	KNOB, LEVER
12	600303	1	WELDMENT, SB TRAILING ARM
13	600325	1	SB LINK
14	600327	1	SPACER, .406 B .50 OD .280 T
15	600571	4	PIN, CLEVIS 1/2 X 6.00
16	600572	1	SPRING, EXT, .14 W 1.25 OD 6.50 L
17	600578	4	RUE-RING, .50
18	600592	2	FITTING, 90, 6 JIC - 10 O-RING
19	600856	1	WELDMENT, LH SB PIVOT
20	600864	1	WELDMENT, SB ADJ, DUAL SB
21	600865	1	MOUNT, LH SB MOTOR
22	600926	1	BOLT, M10-1.50 X 80 HH ALL-THRD
23	600993	1	SPACER, .516 B .625 OD .375 T
24	690773	1	SHROUD, SIDE BROOM
25	690784	4	SPACER- .500 OD, .382 ID, .188 THK, ALU
26	711251	4	SCR-HH 3/8-16 X 1.125 ZP GR 5
27	717014	1	NUT, M10-1.50 JAM

DSB LH SIDE LIFT GROUP (600653-1)

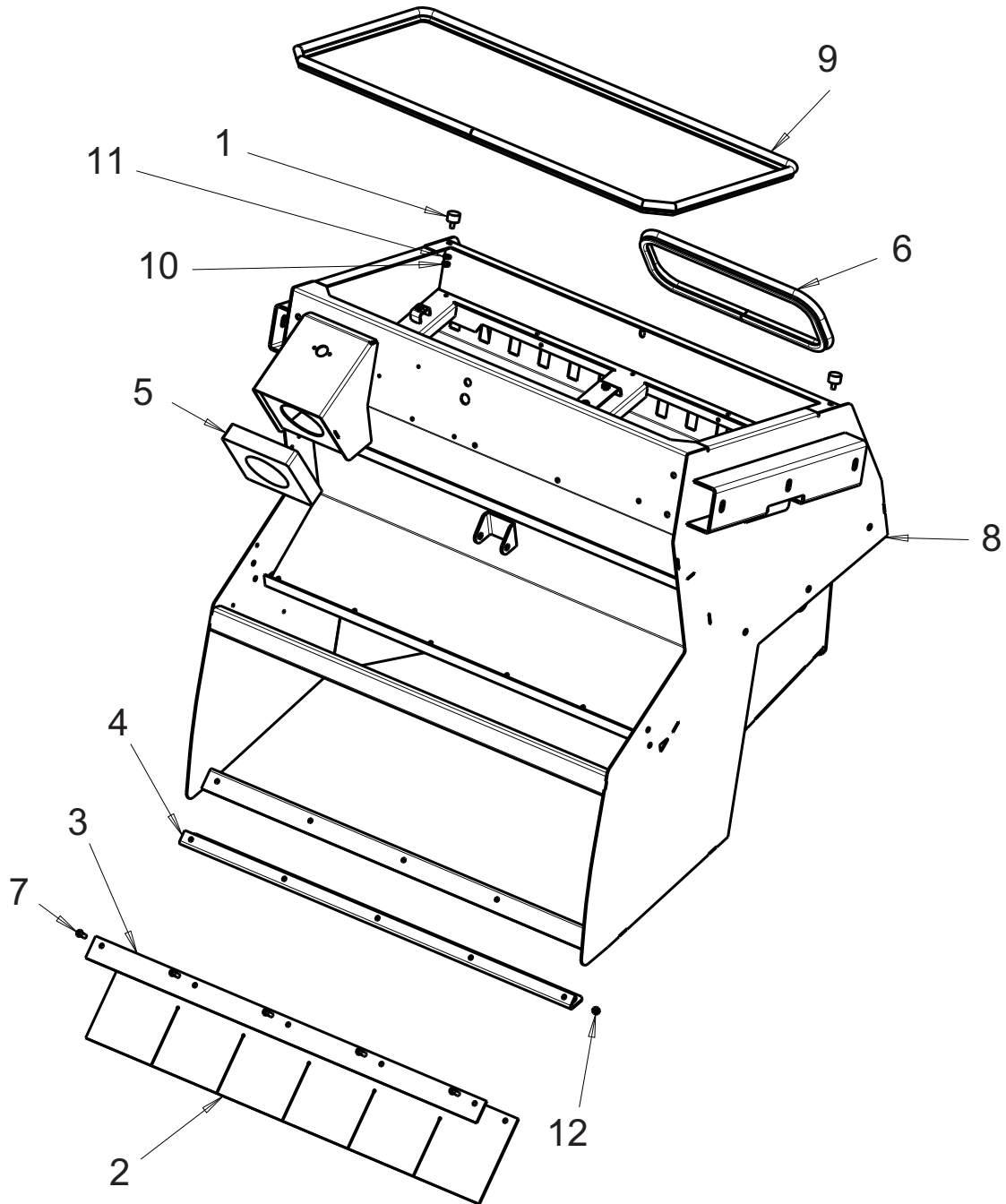


REV *

DSB LH SIDE LIFT GROUP (600653-1)

Parts List 600653-1			
ITEM	PART NUMBER	QTY	DESCRIPTION
1	11038296	1	BOLT, M8-125 X 50 HH
2	11038817	2	BOLT, M6-100 X 45 HH
3	12040051	1	NUT, M8-1.25 ESN
4	12332011	2	WASHER, FENDER, M6
5	3400075	1	NUT, HEX JAM 3/8-24
6	3400405	1	SCR-HEX 1/2-13 X 3 ZP
7	600113	1	PULLEY, .50 B, 2.00 D, .44 T
8	600114	1	SPACER, .328 B .498 OD .500 T
9	600115	1	RETAINER, CABLE
10	600558	1	BRACKET
11	600573	1	PIN, CLEVIS, 3/8 X 1.50
12	600813	1	CLEVIS, 3/8-24
13	600897	1	CYLINDER, LH SB
14	600898	1	CABLE, 20.69 OAL
15	600940	1	WASHER, M8 FENDER
16	620005	1	SOLENOID, 2-POS, 4-WAY, CROSSOVER
17	620008	1	CHECK VALVE
18	620009	2	SPACER, .391 B .63 OD .250 T
19	620010	1	SPACER, .328 B 1.500 OD .680 T
20	620014	1	BLOCK, DUAL SB
21	620110	1	ADAPTER, #4 O-RING - #4 O-RING
22	675507	4	FITTING, 90, -4 ORFS - 4 SAE
23	675508	2	FITTING, STR, 4 ORFS - 4-SAE
24	675509	1	FITTING, RUN TEE -4 ORFS TO -4 SAE
25	711280	1	SCREW, 3/8-16 X 3.50 HHC
26	711376	1	NUT, FIBER INSERT 1/2-13
27	711377	2	NUT, FIBER INSERT 1/4-20
28	711380	1	NUT, FIBER INSERT 3/8-16
29	REF.	-	DUAL SIDE BROOM HOPPER
30	REF.	-	CYLINDER, HOPPER DOOR

DSB HOPPER SKIRTS SEALS GROUP (600701)

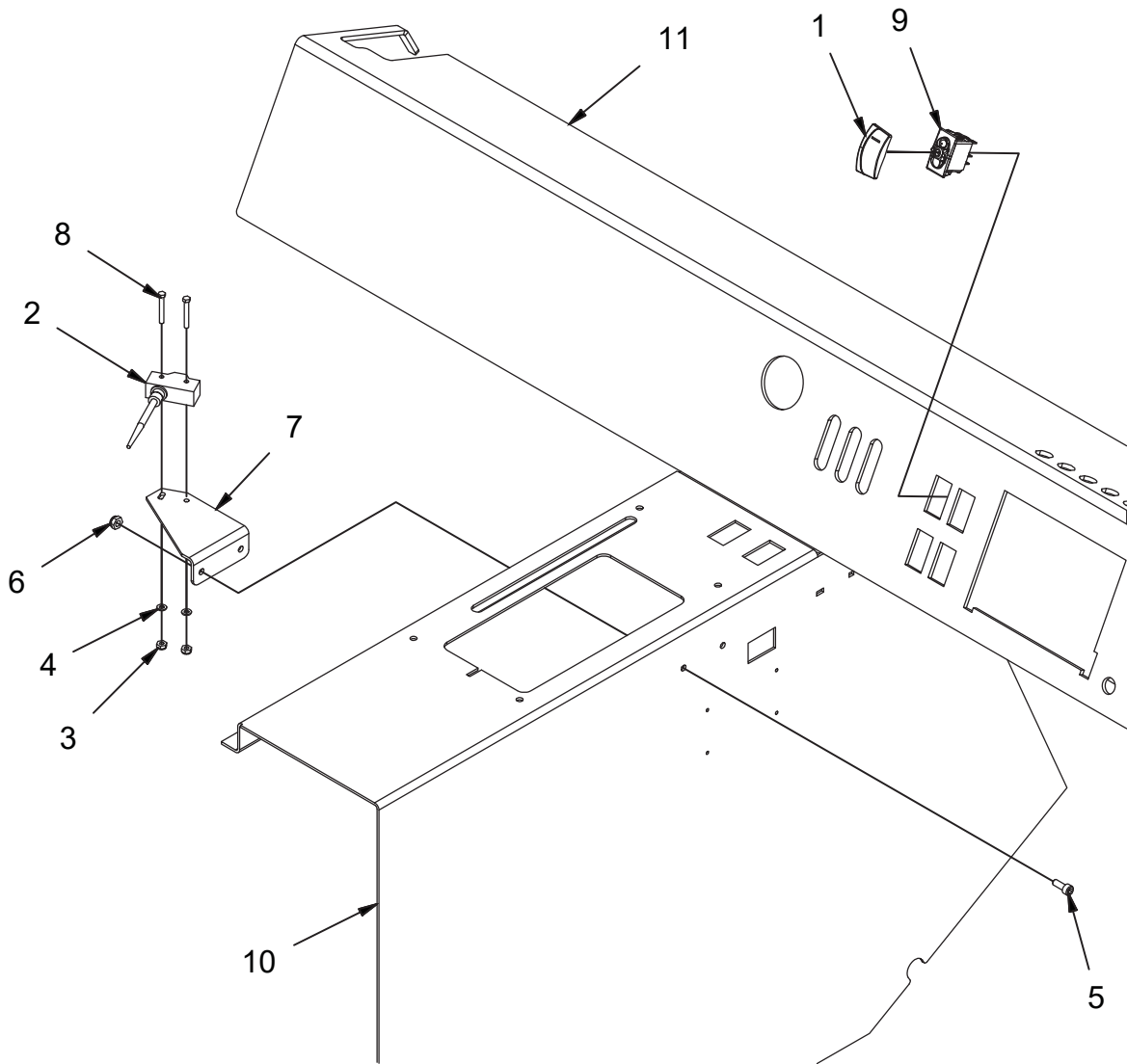


REV A

DSB HOPPER SKIRT SEALS GROUP (600701)

Parts List			
ITEM	PART NUMBER	QTY	DESCRIPTION
1	600220	2	BUMPER 1.00X0.625T
2	600230	1	SKIRT HOPPER LIP
3	600345	1	RETAINER HOPPER FLAP,ZP
4	600346	1	ANGLE HOPPER LIP,ZP
5	600521	1	SEAL, HOPPER EXHAUST
6	600563	1	EDG HPR ACSS (48.25")
7	600917	5	SCR-BHSCS M8-1.25 X 25 SS
8	620264-1	1	ASSEMBLY, HOPPER, DUAL FILTER, DUAL SB
9	620290	1	EDG HOP CVR (113.50")
10	711319	2	NUT-HEX 5/16-18 ZP
11	3400102	2	WASHER-LOCK 5/16 SPLIT ZP
12	12040259	2	NUT-NYLOC M8 X 1.25 SS

DSB SWITCH GROUP (600655)

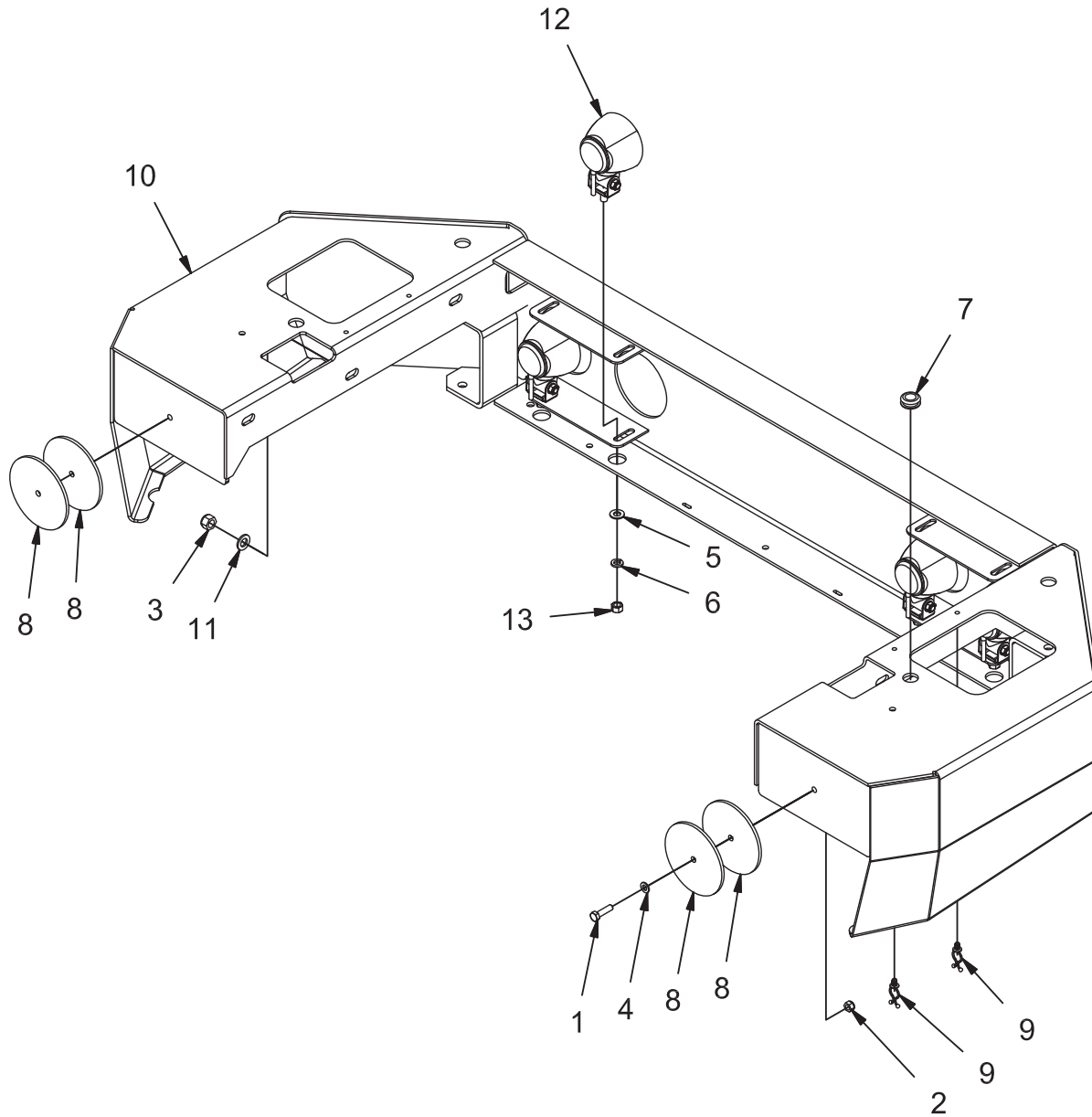


REV B

DSB SWITCH GROUP (600655)

Parts List			
ITEM	PART NUMBER	QTY	DESCRIPTION
1	3342273	1	SWITCH COVER - BLACK, CLEAR LENS
2	3342546	1	SWITCH, WHISKER
3	3400082	2	NUT, FIBER INSERT #8-32
4	3400096	2	FLATWASHER, #8
5	600912	2	BOLT, M6-1.00 X 16 AHCS
6	600933	2	NUT, M6-1.00 ESN SS
7	620124	1	BRACKET, SB SWITCH
8	620136	2	BOLT, #8-32 X 1.25 HH ZP
9	620137	1	SWITCH BODY, DPST W/GREEN LAMP
10	REF.	-	CONSOLE
11	REF.	-	FRAME
-	748722	1	DSB HARNESS #1
-	748723	1	DSB HARNESS #2

DSB BUMPER GROUP (600645)

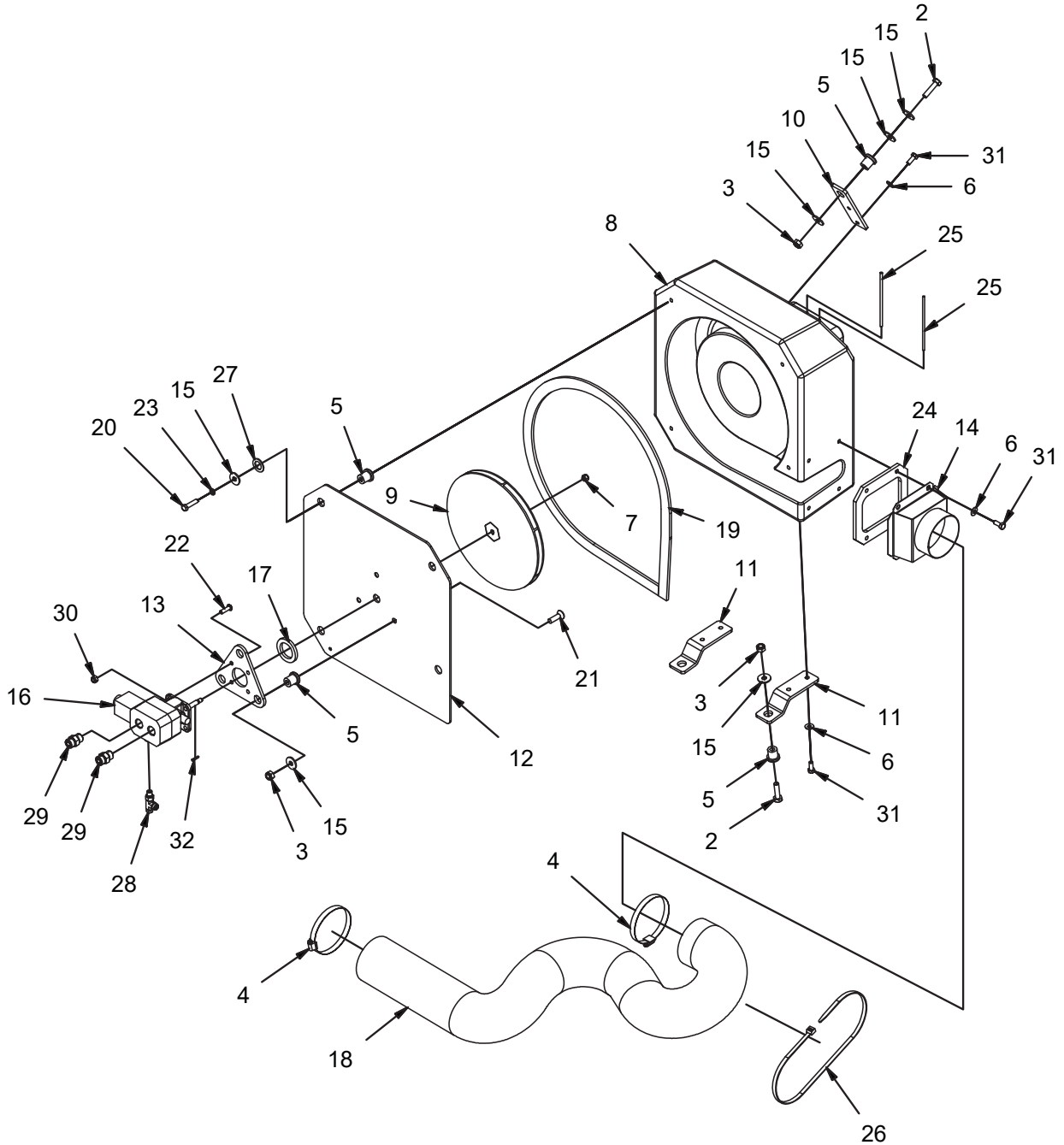


REV D

DSB BUMPER GROUP (600645)

Parts List			
ITEM	PART NUMBER	QTY	DESCRIPTION
1	11038254	2	BOLT, M8-125 X 30 HH
2	12040051	2	NUT, M8-1.25 ESN
3	12040077	6	NUT-NYLOC M12-1.75 STL ZINC
4	12310041	2	WASHER, M8
5	3400087	4	WASHER, 3/8
6	3400101	4	LOCK WASHER, 3/8 HS MED
7	600151	1	GROMMET, .63 ID .88 OD .25 T
8	600226	4	BUMPER
9	600581	2	CLAMP, WIRE CLIP
10	600846	1	WELDMENT, BUMPER, DUAL SB
11	600950	6	WASHER, M12
12	620209	4	HEADLIGHT, 12VDC
13	711328	4	NUT, HEX 3/8-16

DSB IMPELLER GROUP (600656-1)

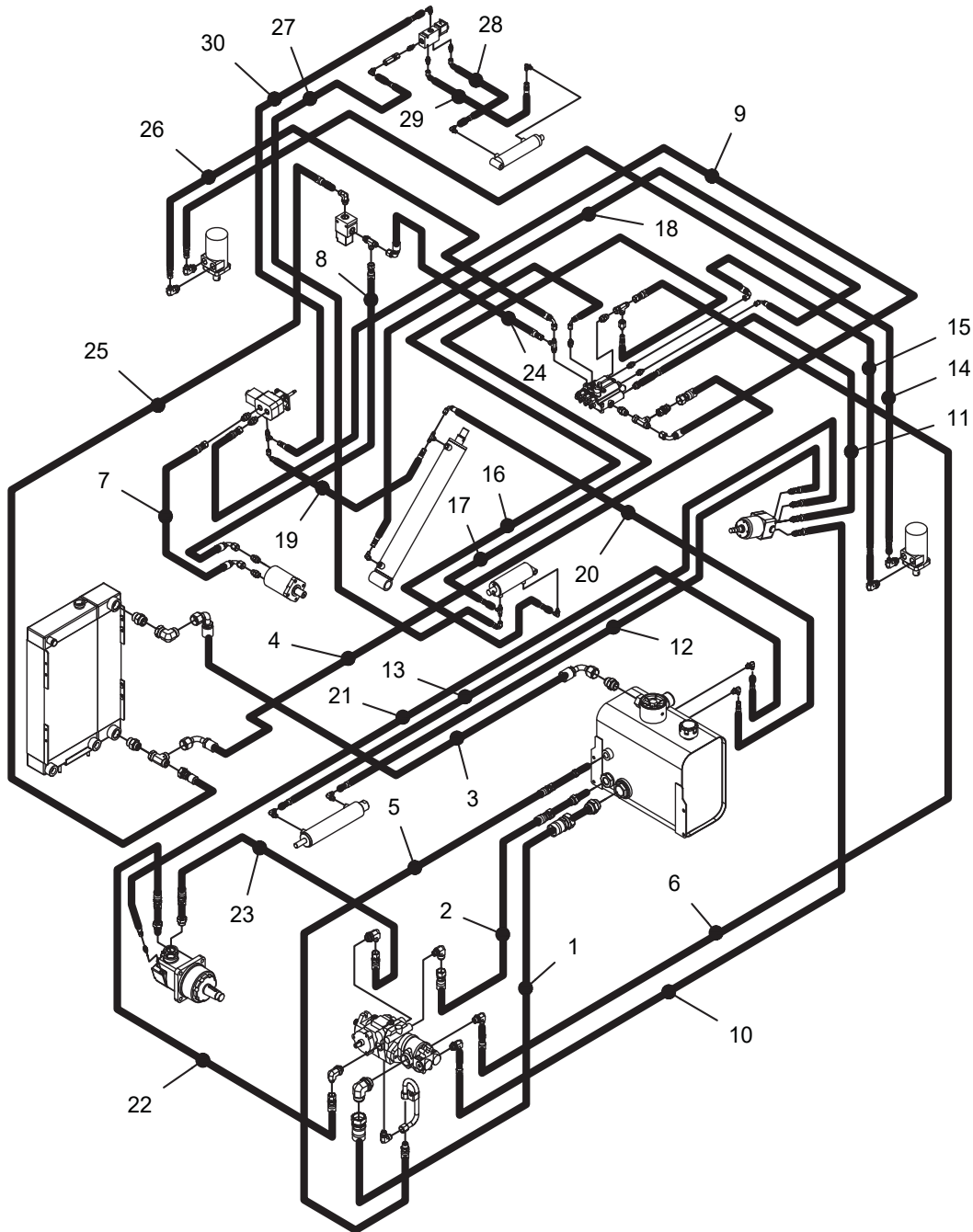


REV A

DSB IMPELLER GROUP (600656-1)

Parts List 600656-1			
ITEM	PART NUMBER	QTY	DESCRIPTION
1	000710	-	ADHESIVE 3M #847 (USED ON 600903)
2	11038395	3	BOLT, M10-1.50 X 40 HH
3	12040069	6	NUT, M10-1.50 ESN
4	3300351	2	CLAMP, HOSE, 4.50
5	3300465	10	ISOLATOR, VIB
6	3400384	10	WASHER, 5/16 BELLEVILLE
7	3400420	1	NUT, 5/16-24 ESN
8	600100	1	SHROUD, IMPELLER
9	600101	1	ASSY, IMPELLER
10	600202	1	BRACKET, SHROUD, UPPER
11	600203	2	BRACKET, SHROUD, LOWER
12	600204	1	PLATE, SHROUD
13	600205	1	PLATE, MOTOR MNT
14	600206	1	WELDMENT, DIFFUSER
15	600363	12	WASHER, ISOLATOR
16	600366	1	MOTOR, IMPELLER
17	600469	1	SEAL, DUST
18	600574	1	HOSE, 4.00 IMPELLER
19	600903	1	SEAL, IMPELLER
20	600918	4	BOLT, M8-125 X 35 HH
21	710028	3	SCREW, M10-1.50 X 40 SLOTTED FHMS
22	600958	4	BOLT, 5/16-18 X 1.00 BUTTON HD CAP
23	600959	4	LOCK WASHER, M8
24	620028	1	GASKET, OUTLET
25	620031	2	ROD, GUARD
26	620037	1	CABLE TIE, .35 X 34
27	66-431-A	4	WASHER, .77 B 1.25 OD .075 T
28	675509	1	FITTING, RUN TEE -4 ORFS TO -4 SAE
29	675524	2	FITTING, STR, -8 ORFS - 8 SAE
30	711374	4	NUT, FIBER INSERT 5/16-18
31	717024	10	BOLT, M8-1.25 X 20 HH
32	PART OF 600366	1	KEY, .125 SQ X .75

DSB HYDRAULIC HOSE GROUP (600652-1)

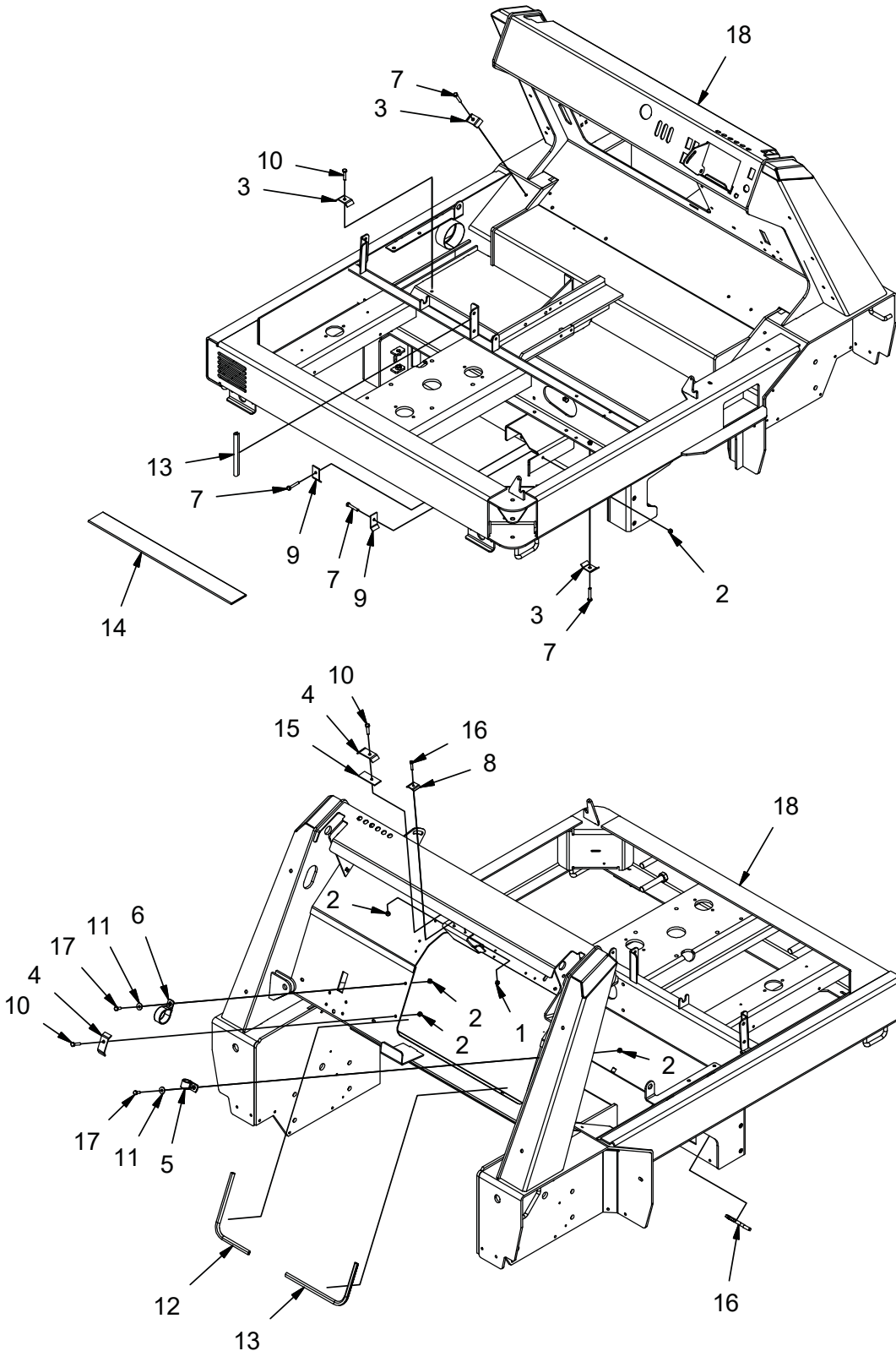


REV *

DSB HYDRAULIC HOSE GROUP (600652-1)

Parts List 600652-1			
ITEM	PART NUMBER	QTY	DESCRIPTION
1	600968-1	1	HOSE, 20 STR - 20 STR SUC (RES TO AUX)
2	600969-1	1	HOSE, 12 STR - 12 STR SUC (RES TO CASE)
3	620084-1	1	HOSE, 16 90 - 16 90 RET (COOLER TO RES)
4	600971-1	1	HOSE, 12 STR - 12 90 RET (VALVE TO COOLER)
5	600972-1	1	HOSE, 10 STR - 10 STR MALE RET (CASE TO RES)
6	600973-1	1	HOSE, 8 STR - 8 STR MED (AUX TO VALVE)
7	600974-1	1	HOSE, 8 STR - 8 90 MED (MB TO IMP)
8	600975-1	1	HOSE, 8 STR - 8 90 MED (MB SOL TO MB)
9	600977-1	1	HOSE, 8-STR - 10 90 MED (IMP TO VALVE RET)
10	600978-1	1	HOSE, 6 STR - 6 STR MED (AUX TO STR PRESS)
11	600979-1	1	HOSE, 6 STR - 6 STR MED (STR TO VALVE RET)
12	600980-1	1	HOSE, 6 STR - 6 STR MED (STR TO CYL F)
13	600981-1	1	HOSE, 6 STR - 6 STR MED (STR TO CYL R)
14	620126-1	1	HOSE, 6 STR - 6 STR MED (RH SB TO LH SB)
15	600983-1	1	HOSE, 6 STR - 6 90 MED (VALVE TO RH SB)
16	600984-1	1	HOSE, 4 STR - 4 90 MED (VALVE TO DOOR CYL)
17	600985-1	1	HOSE, 4 STR - 4 STR MED (VALVE TO DOOR CYL R)
18	600986-1	1	HOSE, 4 STR - 4 90 MED (VALVE TO LIFT CYL L)
19	600987-1	1	HOSE, 4 STR - 4 90 RET (IMP TO LIFT CYL U)
20	600988-1	1	HOSE, 4 STR - 4 STR RET (LIFT CYL U TO RES)
21	600989-1	1	HOSE, 4 STR - 4 STR RET (WM CASE TO RES)
22	600990-1	1	HOSE, 8 STR - 8 STR SPCL (VDP R TO WM R)
23	600991-1	1	HOSE, 8 STR - 8 STR SPCL (VDP F TO WM L)
24	620121-1	1	HOSE, 6 STR - 8 90 MED (VALVE OUT TO MB SOLENOID)
25	620122-1	1	HOSE, 8 STR - 12 STR MED (MB SOLENOID TO COOLER)
26	620125-1	1	HOSE, 6 STR - 6 90 MED (LHSB TO MB THRU VALVE)
27	620127-1	1	HOSE, 4 STR - 4 90 MED (DOOR CYL R TO SB SOL PRESS)
28	620128-1	1	HOSE, 4 STR - 4 45 MED (SB SOL TO SB CYL R)
29	620129-1	1	HOSE, 4 STR - 4 45 MED (SB SOL TO SB CYL F)
30	620130-1	1	HOSE, 4 STR - 4 STR MED (SB SOL TO IMP CASE)

DSB HOSE CLAMP GROUP 1 (600647)

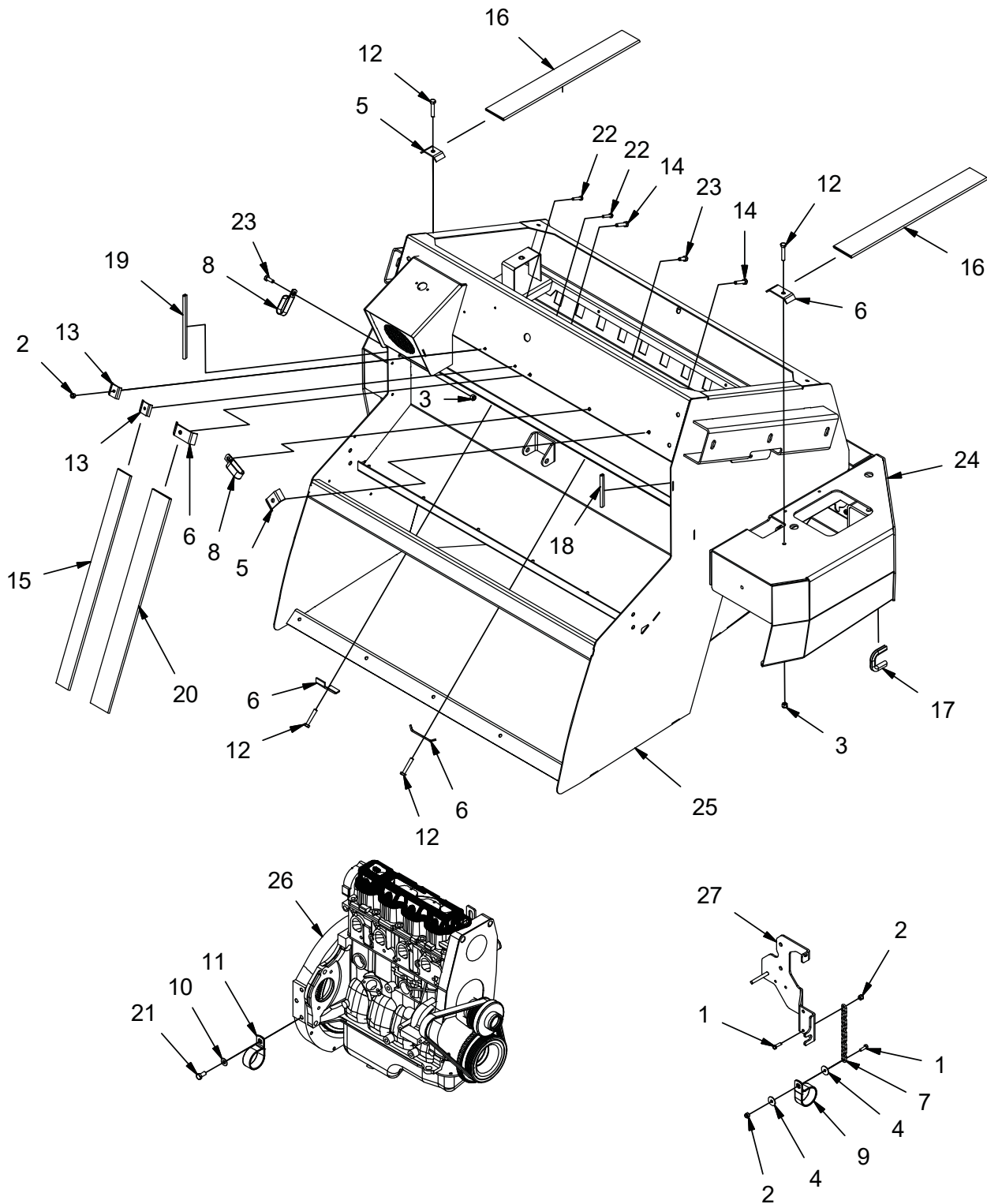


REV *

DSB HOSE CLAMP GROUP 1 (600647)

Parts List			
ITEM	PART NUMBER	QTY	DESCRIPTION
1	12040044	1	NUT, M6-1.00 ESN
2	12040051	9	NUT, M8-1.25 ESN
3	3301437	3	RETAINER, HOSE, SYM, 8
4	3305398	2	RETAINER, HOSE, OFFSET, 8
5	3400999	1	CLAMP, HOSE
6	3402005	1	CLAMP, 2"
7	600820	4	BOLT, M8-1.25 X 45 HH
8	600822	1	RETAINER, HOSE, SYM, 6
9	600823	2	RETAINER, HOSE, OFFSET, 8
10	600918	3	BOLT, M8-125 X 35 HH
11	600940	2	WASHER, M8 FENDER
12	620038	2	EDGING, 3/16 X 15.0"
13	620040	1	EDGING. 5/16 X 7.0"
14	620043	1	SLEEVE, AS-B-33 X 28.0"
15	620123	1	BAR, HOSE RETAINER
16	717021	1	BOLT, M6-100 X 30 HH
17	717024	2	BOLT, M8-1.25 X 20 HH
18	REF	-	FRAME

DSB HOSE CLAMP GROUP 2 (600649)



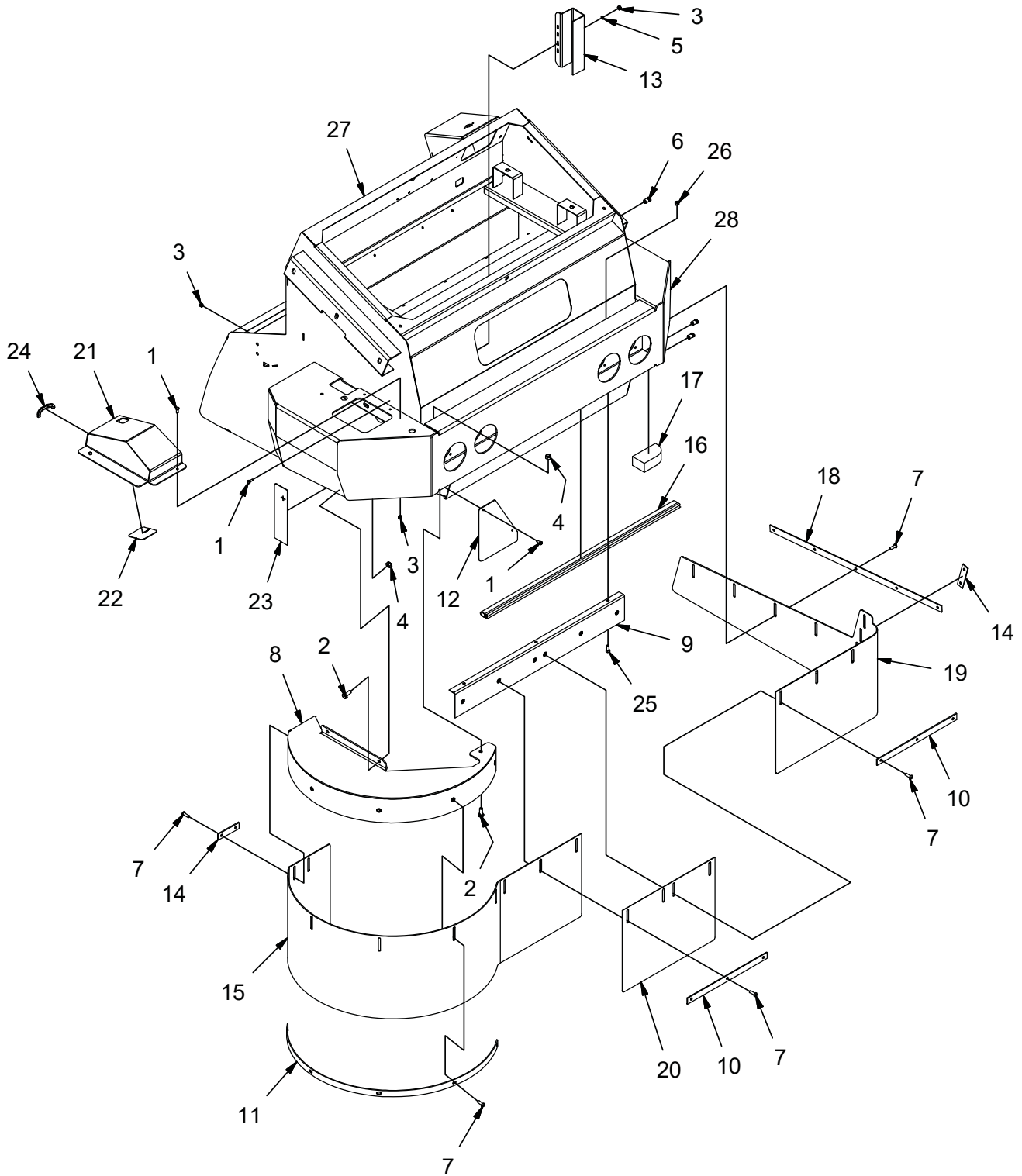
REV *

DSB HOSE CLAMP GROUP 2 (600649)

Parts List			
ITEM	PART NUMBER	QTY	DESCRIPTION
1	11038098	2	BOLT, M6-100 X 20 HH
2	12040044	4	NUT, M6-1.00 ESN
3	12040051	6	NUT, M8-1.25 ESN
4	12347027	2	WASHER, M6 FENDER
5	3301437	2	RETAINER, HOSE, SYM, 8
6	3305398	4	RETAINER, HOSE, OFFSET, 8
7	3307658	1	CHAIN, GROUND
8	3335599	2	CLAMP, HOSE
9	3343539	1	CLAMP, 2"
10	3400385	1	WASHER, 3/8. BELLEVILLE
11	3402005	1	CLAMP, 2"
12	600820	4	BOLT, M8-1.25 X 45 HH
13	600822	2	RETAINER, HOSE, SYM, 6
14	600918	2	BOLT, M8-125 X 35 HH
15	620041	1	SLEEVE, AS-B-17 X 24.5"
16	620042	2	SLEEVE, AS-B-27 X 20.0"
17	620046	1	EDGING, 3/16 X 4.75"
18	620120	1	EDGING, 4"
19	620138	1	EDGING, 8"
20	620139	1	SLEEVE, AS-B-27 X 24.5"
21	713041	1	SCREW, 3/8-16 X .750 HHC
22	717021	2	BOLT, M6-100 X 30 HH
23	717024	2	BOLT, M8-1.25 X 20 HH
24	REF.	-	DUAL SIDE BROOM BUMPER
25	REF.	-	DUAL SIDE BROOMHOPPER
26	REF.	-	ENGINE
27	REF.	1-	CAM MOUNT

OPTIONS - PARTS BREAKDOWN

OPTION - VACUUMIZED SIDE BROOM GROUP - PAGE 1 (600003)



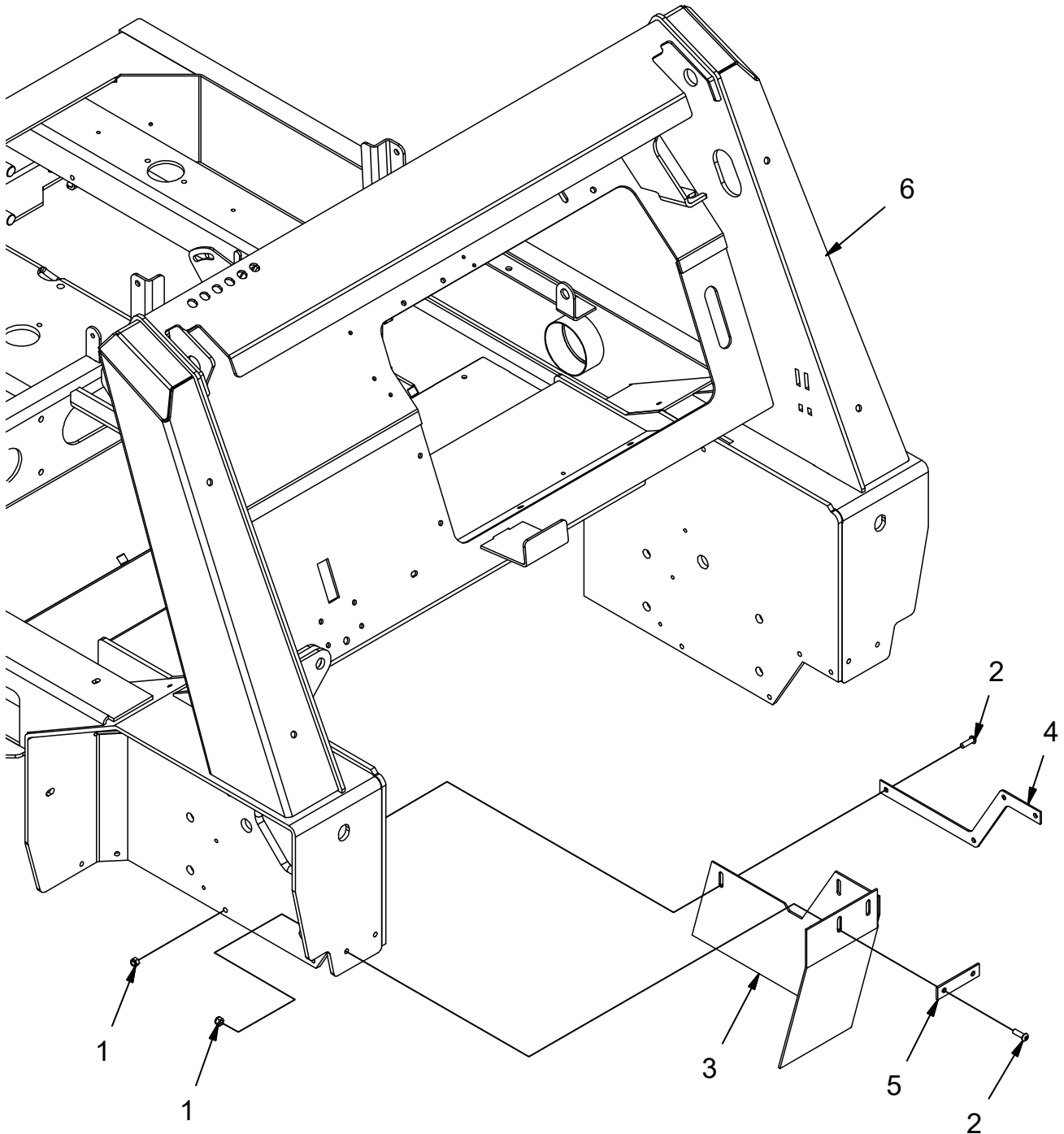
REV *

OPTION - VACUUMIZED SIDE BROOM GROUP - PAGE 1 (600003)

Parts List			
ITEM	PART NUMBER	QTY	DESCRIPTION
1	11038072	6	BOLT, M6-100 X 16 HH
2	11038346	3	BOLT, M10-1.50 X 25 HH
3	12040044	6	NUT, M6-1.00 ESN
4	12040069	3	NUT, M10-1.50 ESN
5	12310033	2	WASHER, M6
6	600852	3	M8-1.25 INSERT, .188 GRIP
7	600917	20	SCREW, M8-1.25 X 25 BUTTON HD CAP SS
8	620016-1	1	ASSEMBLY, RH VAC SB COVER
9	620021-1	1	ASSEMBLY, BUMPER SKIRT MNT
10	620023	2	STRAP, BUMPER SKIRT
11	620024	1	STRAP, SIDE SKIRT
12	620047	1	PLATE, AIR DAM
13	620048	1	TUBE, AIR
14	620049	2	STRAP, SHORT
15	620051	1	SKIRT, VAC SB
16	620053	1	SEAL, BUMPER
17	620054	1	SEAL, CORNER
18	620055	1	STRAP, VAC SB SKIRT
19	620056	1	SKIRT, VAC SB, LH
20	620101	1	SKIRT, FRONT
21	620102	1	WELDMENT, VAC SB HOSE COVER
22	620105	1	SEAL, CABLE
23	620109	1	SEAL, BUMPER
24	620119	1	EDGING
25	717024	3	BOLT, M8-1.25 X 20 HH
26	717029	3	NUT, M8-1.25 ESN SS
27	REF	-	HOPPER
28	REF	-	FRONT BUMPER

**OPTION GROUP (600003) - VACUUMIZED SIDE BROOM GROUP, INCLUDES:
600003 PAGE 1 & 600003 PAGE 2.**

OPTION - VACUUMIZED SIDE BROOM GROUP - PAGE 2 (600003)



REV *

OPTION - VACUUMIZED SIDE BROOM GROUP - PAGE 2 (600003)

Parts List			
ITEM	PART NUMBER	QTY	DESCRIPTION
1	12040051	6	NUT, M8-1.25 ESN
2	600917	6	SCREW, M8-1.25 X 25 BUTTON HD CAP SS
3	620025	1	SKIRT, MID
4	620026	1	STRAP, MID SKIRT
5	620049	1	STRAP, SHORT
6	REF	-	FRAME

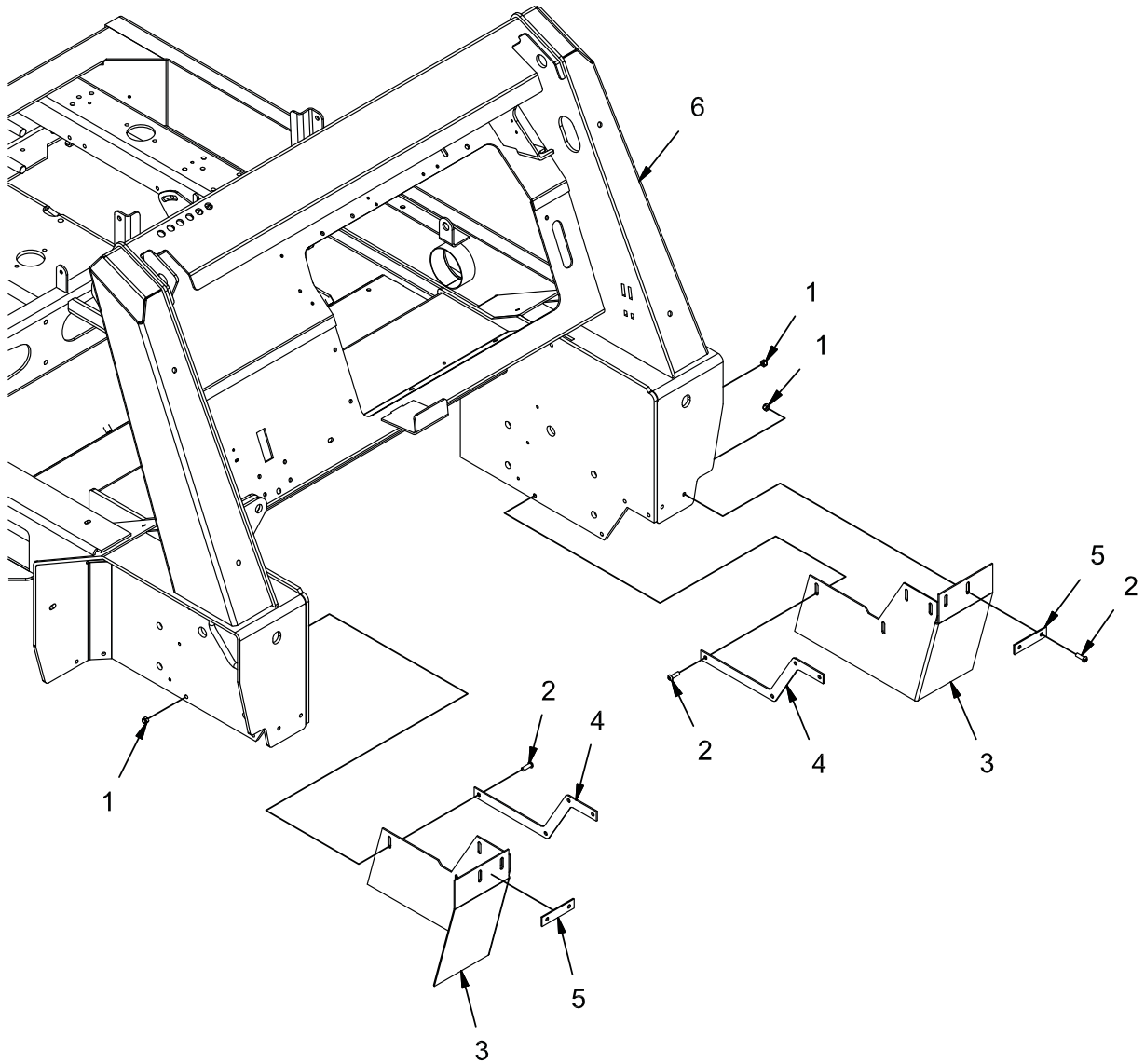
**OPTION GROUP (600003) - VACUUMIZED SIDE BROOM GROUP, INCLUDES:
600003 PAGE 1 & 600003 PAGE 2.**

OPTION - DUAL VACUUMIZED SIDE BROOM GROUP - PAGE 1 (600004)

Parts List			
ITEM	PART NUMBER	QTY	DESCRIPTION
1	11038072	12	BOLT, M6-100 X 16 HH
2	11038346	6	BOLT, M10-1.50 X 25 HH
3	12040044	12	NUT, M6-1.00 ESN
4	12040069	6	NUT, M10-1.50 ESN
5	600917	20	SCREW, M8-1.25 X 25 BUTTON HD CAP SS
6	620016-1	1	ASSEMBLY, RH VAC SB COVER
7	620019-1	1	ASSEMBLY, LH VAC SB COVER
8	620021-1	1	ASSEMBLY, BUMPER SKIRT MNT
9	620023	2	STRAP, BUMPER SKIRT
10	620024	2	STRAP, SIDE SKIRT
11	620047	2	PLATE, AIR DAM
12	620048	2	TUBE, AIR
13	620049	2	STRAP, SHORT
14	620050	1	SEAL, BUMPER
15	620051	2	SKIRT, VAC SB
16	620101	1	SKIRT, FRONT
17	620102	1	WELDMENT, VAC SB HOSE COVER
18	620105	2	SEAL, CABLE
19	620106	1	WELDMENT, VAC SB HOSE COVER, LH
20	620109	2	SEAL, BUMPER
21	620119	2	EDGING
22	717024	3	BOLT, M8-1.25 X 20 HH
23	717029	3	NUT, M8-1.25 ESN SS
24	REF.	-	ASSEMBLY, HOPPER, DUAL SB
25	REF.	-	BUMPER, DUAL SB

**OPTION GROUP (600004) - DUAL VACUUMIZED SIDE BROOM GROUP, INCLUDES:
600004 PAGE 1 & 600004 PAGE 2.**

OPTION - DUAL VACUUMIZED SIDE BROOM GROUP - PAGE 2 (600004)



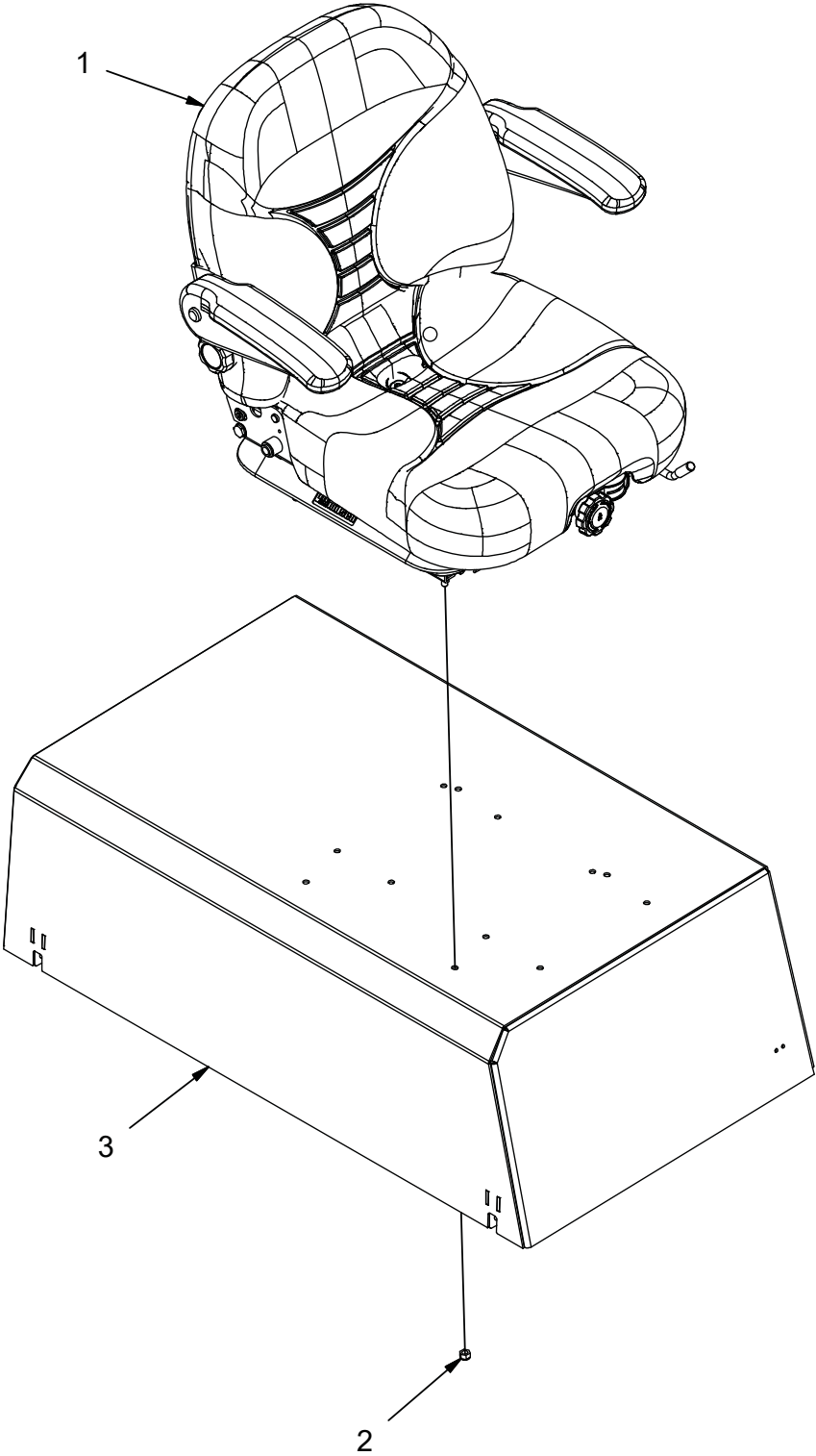
REV B

OPTION - DUAL VACUUMIZED SIDE BROOM GROUP - PAGE 2 (600004)

Parts List			
ITEM	PART NUMBER	QTY	DESCRIPTION
1	12040051	12	NUT, M8-1.25 ESN
2	600917	12	SCREW, M8-1.25 X 25 BUTTON HD CAP SS
3	620025	1	SKIRT, MID
4	620026	2	STRAP, MID SKIRT
5	620049	2	STRAP, SHORT
6	REF	-	FRAME

**OPTION GROUP (600004) - DUAL VACUUMIZED SIDE BROOM GROUP, INCLUDES:
600004 PAGE 1 & 600004 PAGE 2.**

OPTION - SUSPENSION SEAT GROUP (600005)

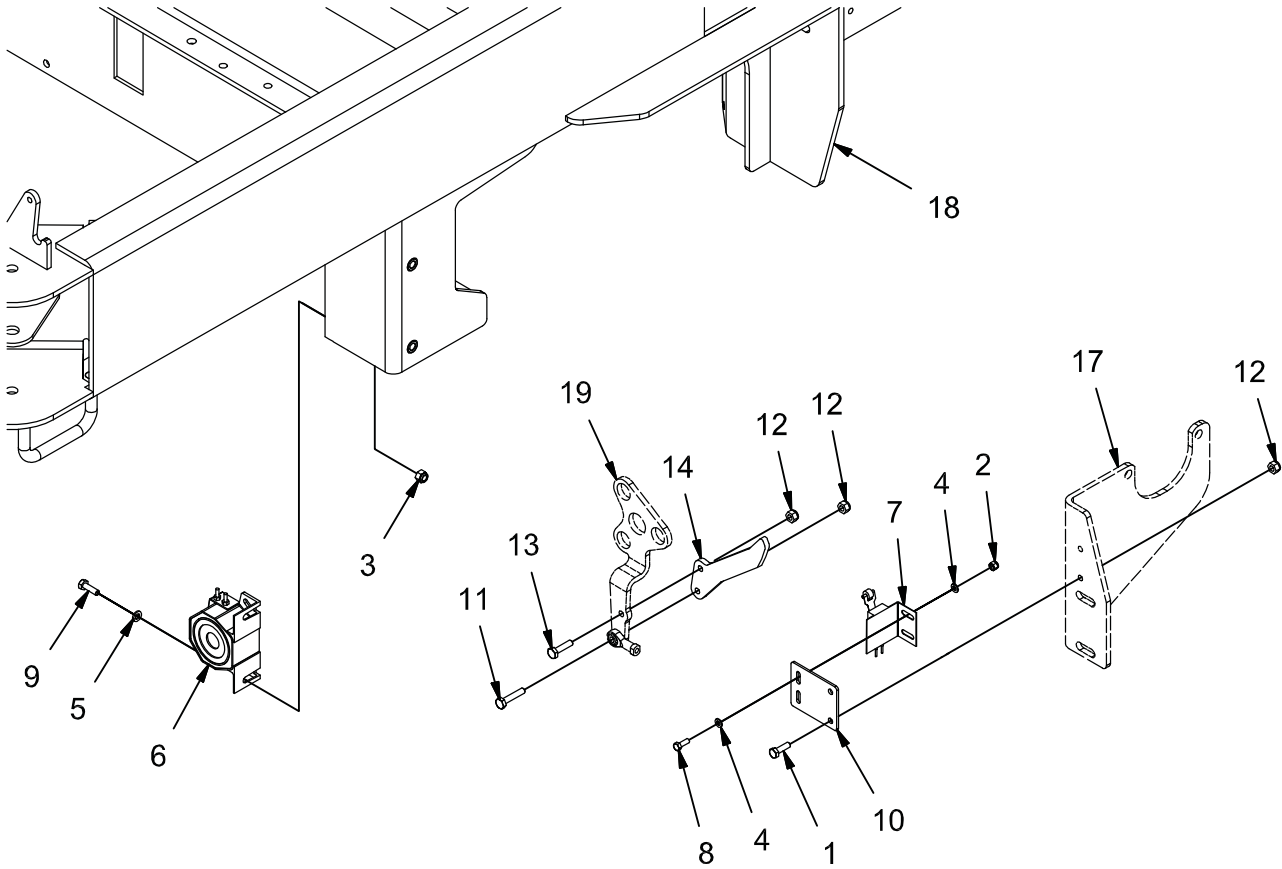


REV A

OPTION - SUSPENSION SEAT GROUP (600005)

Parts List			
ITEM	PART NUMBER	QTY	DESCRIPTION
1	620191	1	SEAT, SUSPENSION
2	711374	4	NUT, FIBER INSERT 5/16-18
3	REF	-	PUMP COVER

OPTION - BACKUP ALARM GROUP (600006)

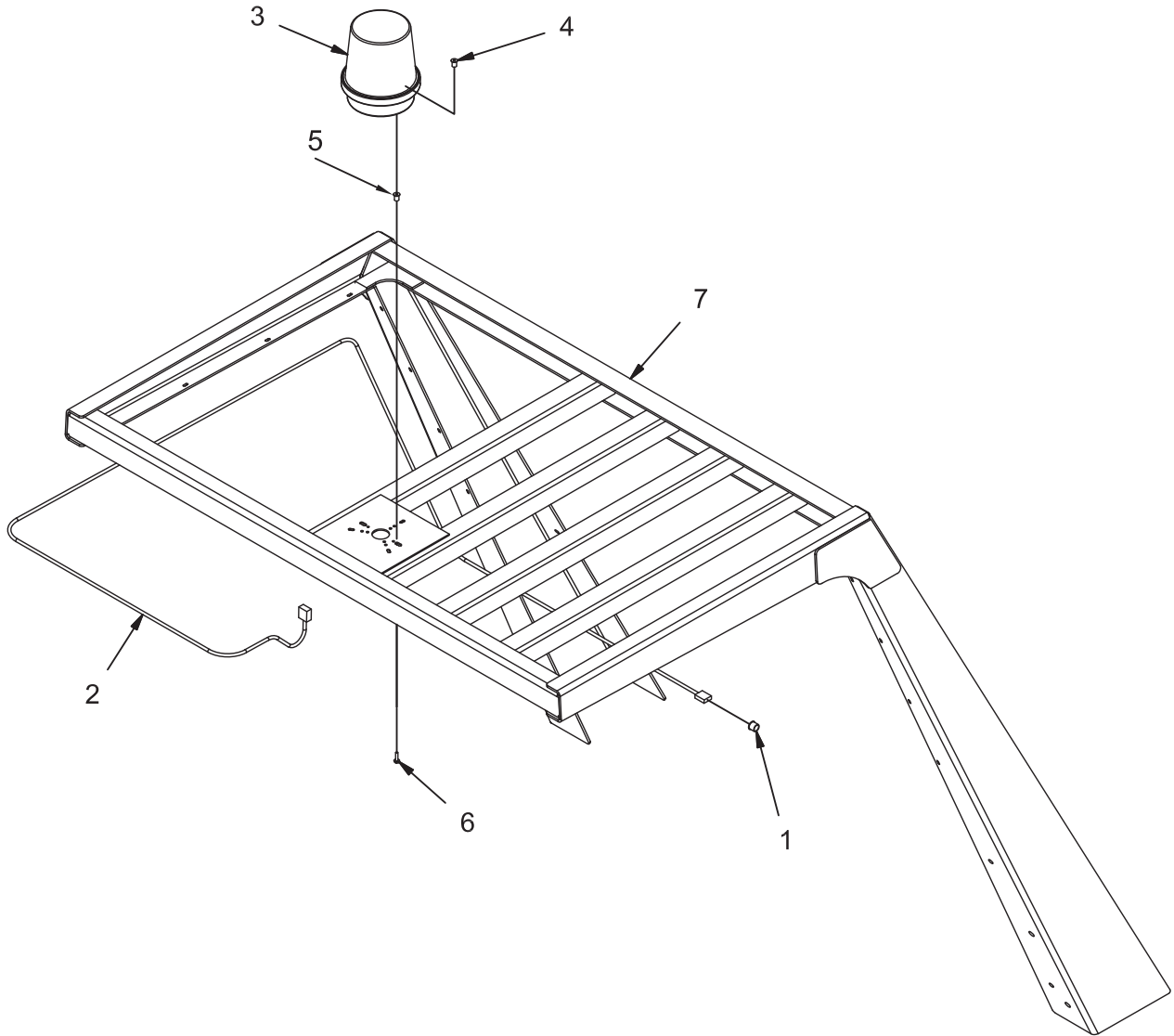


REV B

OPTION - BACKUP ALARM GROUP (600006)

Parts List 60006			
ITEM	PART NUMBER	QTY	DESCRIPTION
1	11038098	2	BOLT, M6-100 X 20 HH
2	12040036	2	NUT, M5 - 0.8 ESN
3	12040044	2	NUT, M6-1.00 ESN
4	12310025	4	WASHER, M5
5	12310033	2	WASHER, M6
6	3303002	1	ALARM, BACKUP
7	600853-1	1	SWITCH, LIMIT, N.O.
8	600911	2	BOLT, M5-0.8 X 14 HH
9	600913	2	BOLT, M6-100 X 20 HH SS
10	620246	1	MOUNT, REVERSE SWITCH
11	711210	1	SCREW, 1/4-20 X 1.25 ZP FULL THREAD
12	711377	4	NUT, FIBER INSERT 1/4-20
13	713003	1	SCREW, 1/4-20 X 1.00 HH
14	731000	1	CAM, SWITCH
15	748913	1	HARNESS, BACKUP ALARM OPT
16	748947	1	QC7, WIRE JUNCTION
17	REF	-	HYDROBACK MOUNT
18	REF	-	FRAME
19	REF	-	DIR CONT ARM

OPTION - SAFETY LIGHT, AMBER LIGHT OHG GROUP (620258)

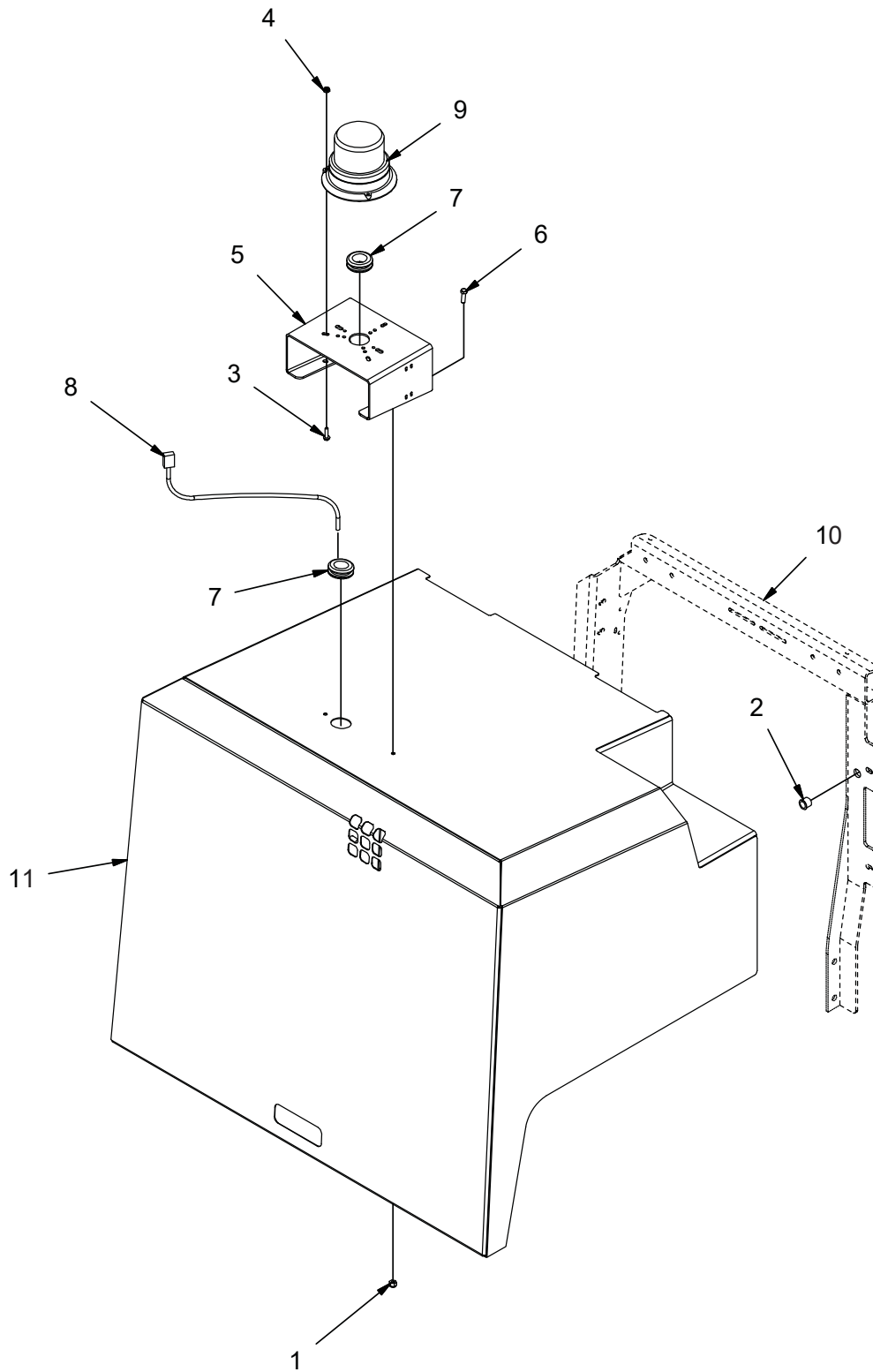


REV A

OPTION - SAFETY LIGHT, AMBER LIGHT OHG GROUP (620258)

Parts List			
ITEM	PART NUMBER	QTY	DESCRIPTION
1	170033	1	HEYCO BUSHING, .50X.625X.56
2	748916	1	HARNESS, SAFETY LIGHT, OHG
3	620073-1	1	ASSEMBLY, AMBER LED BEACON
4	PART OF 748919	2	NUT, EXPANSION
5	3400172	3	NUT-JAM 10-32 ZP NYLOC
6	3400044	3	SCR-HH 10-32 X .75 ZP
7	REF.	-	OVERHEAD GUARD
-	748947	1	QC7, WIRE JUNCTION

OPTION - SAFETY LIGHT, AMBER LIGHT ENG CVR GROUP (600010)

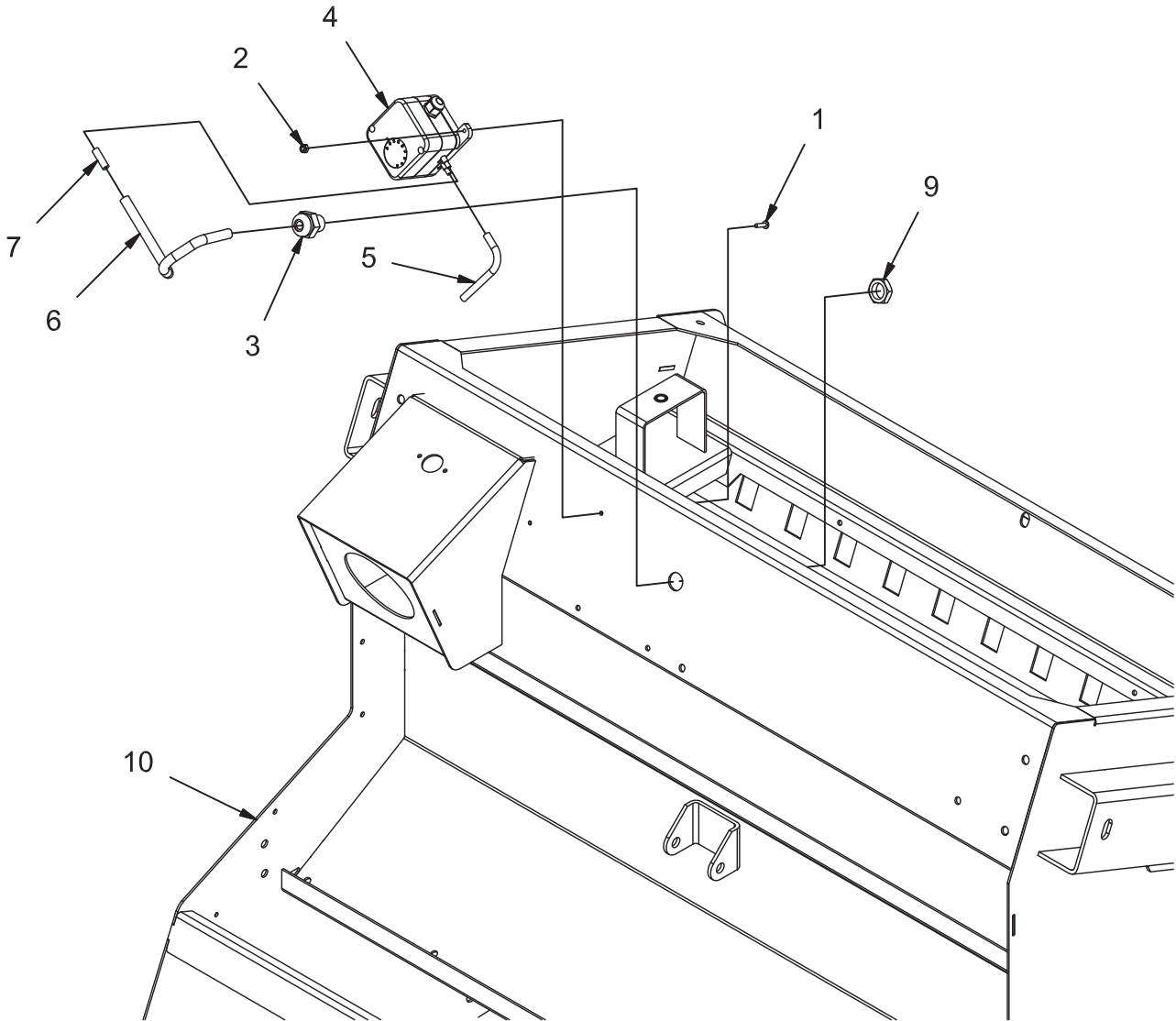


REV A

OPTION - SAFETY LIGHT, AMBER LIGHT ENG CVR GROUP (600010)

Parts List			
ITEM	PART NUMBER	QTY	DESCRIPTION
1	12040044	2	NUT, M6-1.00 ESN
2	170033	1	HEYCO BUSHING, .50X.625X.56
3	3400044	3	#10-32 X .75 SERHXFLGSCRZ
4	3400172	3	NUT, 10-32 ESN
5	731030	1	MOUNT, SAFETY LIGHTS
6	600913	2	BOLT, M6-100 X 20 HH SS
7	620160	2	GROMMET, 1.00 ID .1.375 OD .25 T
8	748917	1	HARNESS, SAFETY LIGHT, ENG COV
9	620073-1	1	ASSEMBLY, AMBER STROBE LIGHT
10	REF.	-	COVER FRAME
11	REF.	-	ENGINE COVER
-	748947	1	QC7, WIRE JUNCTION

OPTION - CLOGGED FILTER INDICATOR GROUP (600013)

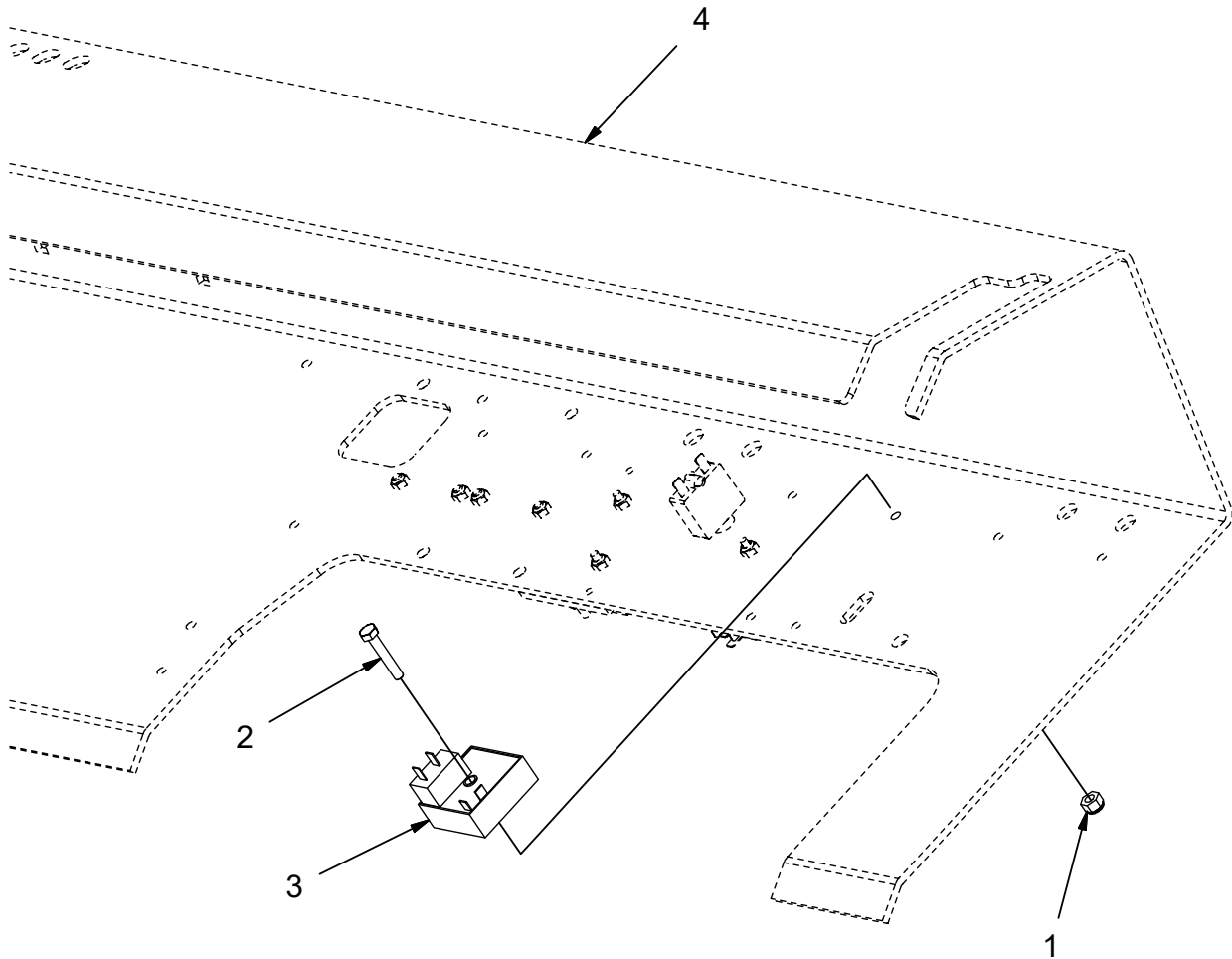


REV C

OPTION - CLOGGED FILTER INDICATOR GROUP (600013)

Parts List			
ITEM	PART NUMBER	QTY	DESCRIPTION
1	3400045	2	SCREW, #8-32 X .625 PAN HD ZP
2	3400082	2	NUT, FIBER INSERT #8-32
3	747689	1	STRAIN RELIEF
4	690083-1	1	HARNESS ASSY, SWITCH, DIFF
5	690437	1	HOSE - NYLON REINF 1/8 X 4
6	690439	1	HOSE - PVC CLEAR 14" X 5/15 ID
7	690445	1	HOSE - NYLON REIN 1/8 X 1
8	748948	1	QC8, WIRE JUNCTION
9	PART OF 600482	1	NUT, PLASTIC
10	REF	-	HOPPER
	3342905	-	ASSY- IND. LIGHT (NOT SHOWN)

OPTION - FILTER SHAKER TIMER GROUP (600014)

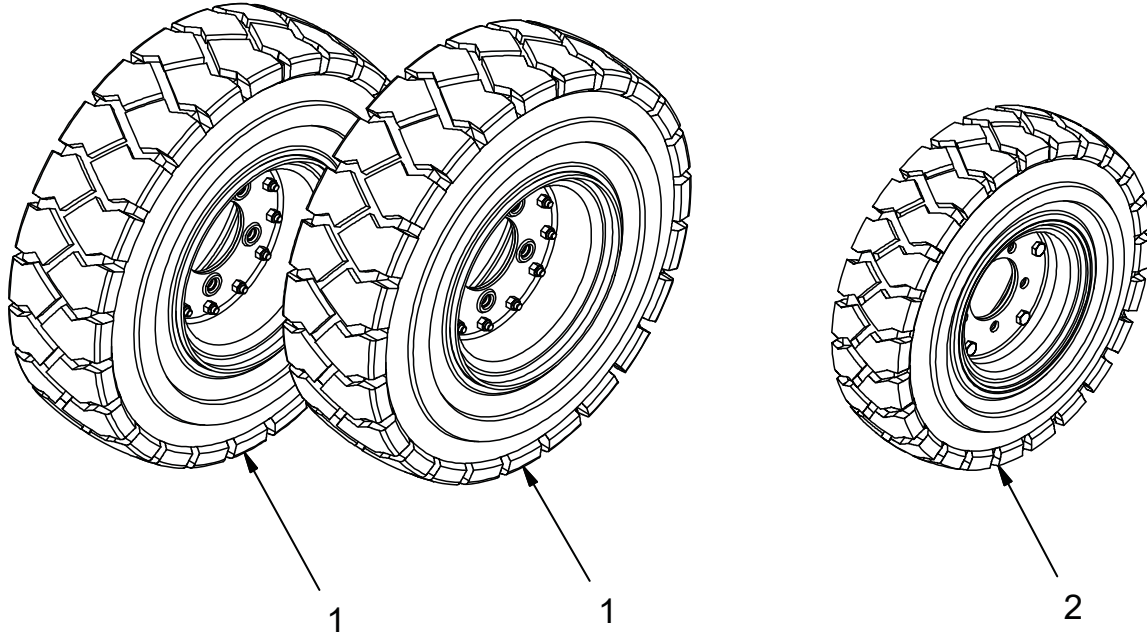


REV *

OPTION - FILTER SHAKER TIMER GROUP (600014)

Parts List			
ITEM	PART NUMBER	QTY	DESCRIPTION
1	12040044	1	NUT, M6-1.00 ESN
2	600952	1	BOLT, M6-1.00 X 35 HH
3	748912	1	TIMER
-	748907	1	WIRE ASSEMBLY, SHAKER TIMER OPTION
4	REF	-	FRAME

OPTION - TIRE, ALL SOFT SHOE SOLID GROUP (600015)

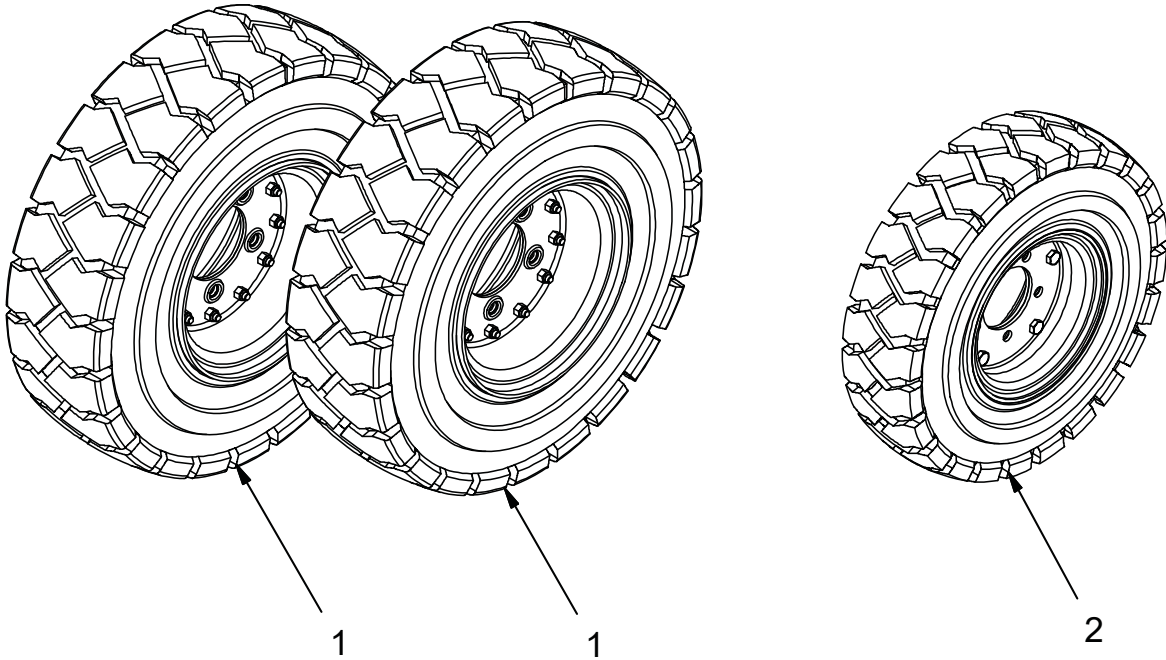


REV *

OPTION - TIRE, ALL SOFT SHOE SOLID GROUP (600015)

Parts List			
ITEM	PART NUMBER	QTY	DESCRIPTION
1	620099	2	ASSEMBLY, 650-10 SOFT SHOE SOLID FRONT TIRE
-	620100	-	REPLACEMENT TIRE, FRONT, SOFT SHOE SOLID
2	620093	1	ASSEMBLY, 500-8 SOFT SHOE SOLID REAR TIRE
-	620094	-	REPLACEMENT TIRE, REAR, SOFT SHOE SOLID

OPTION - TIRE, FRONT SOFT SHOE SOLID, REAR PNEUMATIC GROUP (600016)

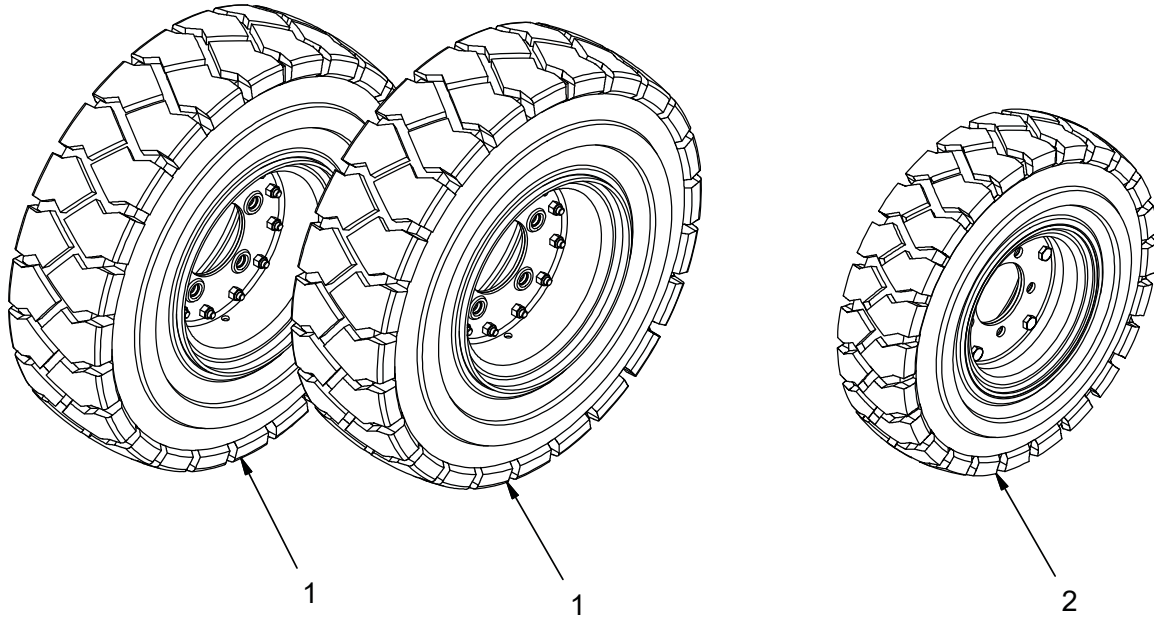


REV *

OPTION - TIRE, FRONT SOFT SHOE SOLID, REAR PNEUMATIC GROUP (600016)

Parts List			
ITEM	PART NUMBER	QTY	DESCRIPTION
1	620099	2	ASSEMBLY, 650-10 SOFT SHOE SOLID FRONT TIRE
-	620100	-	REPLACEMENT TIRE, FRONT, SOFT SHOE SOLID
2	600388	1	ASSEMBLY, 500-8 PNEUMATIC REAR TIRE
-	600336	-	REPLACEMENT TIRE, REAR, PNEUMATIC

OPTION - TIRE, ALL NON-MARKING SOLID GROUP (600017)

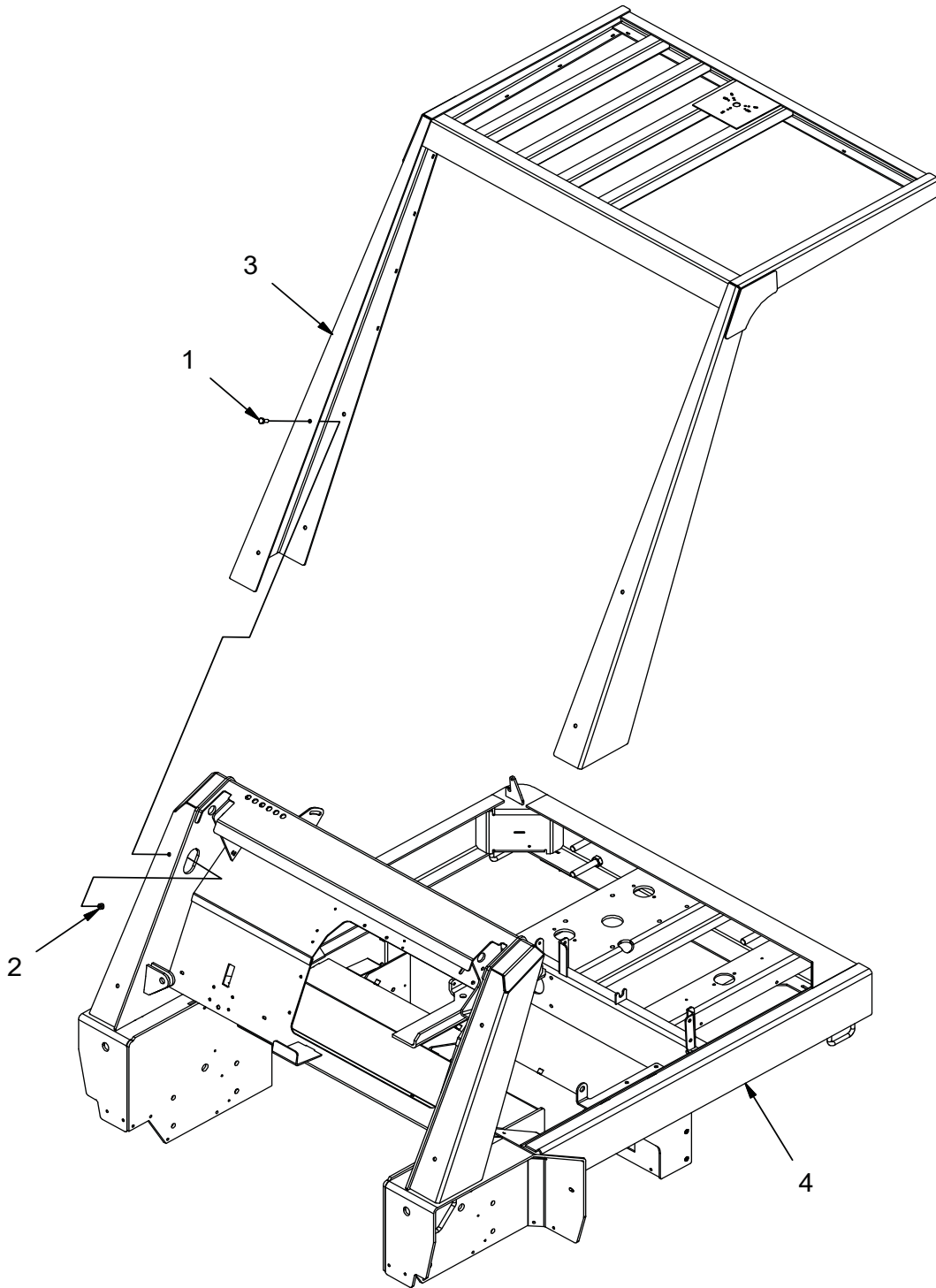


REV *

OPTION - TIRE, ALL NON-MARKING SOLID GROUP (600017)

Parts List			
ITEM	PART NUMBER	QTY	DESCRIPTION
1	620098	2	ASSEMBLY, TIRE, 650-10 SOLID NON-MARKING, FRONT
-	3307910	-	REPLACEMENT TIRE, FRONT, NON-MARKING
2	620095	1	ASSEMBLY, TIRE, 500-8 SOLID NON-MARKING, REAR
-	620096	-	REPLACEMENT TIRE, REAR, NON-MARKING

OPTION - OVERHEAD GUARD (OHG) GROUP (600019)

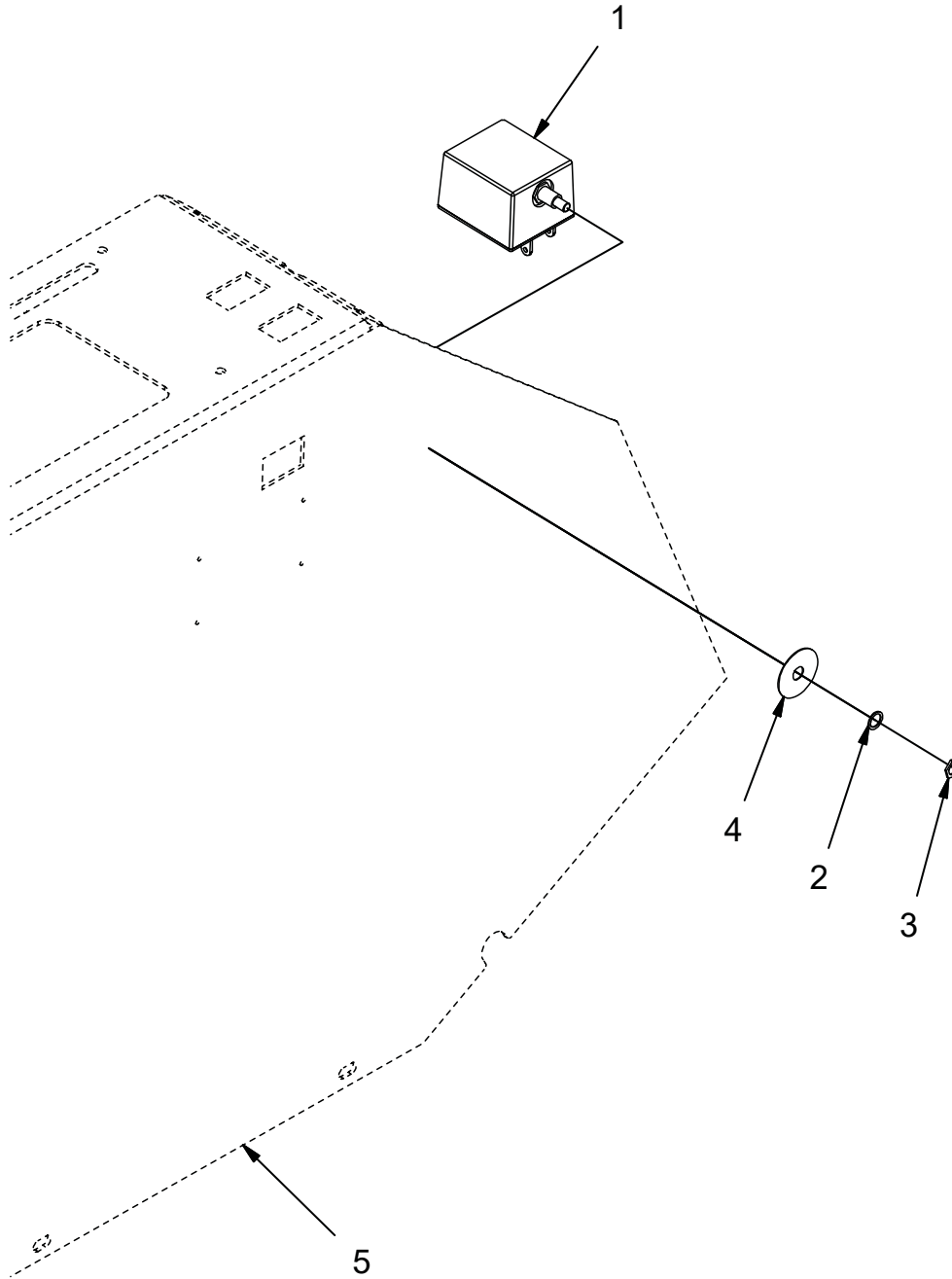


REV *

OPTION - OVERHEAD GUARD (OHG) GROUP (600019)

Parts List			
ITEM	PART NUMBER	QTY	DESCRIPTION
1	11038346	8	BOLT, M10-1.50 X 25 HH
2	12040069	8	NUT, M10-1.50 ESN
3	600887	1	WELDMENT, OHG
4	REF	-	FRAME

OPTION - AUTO DIESEL SHUTDOWN GROUP (600020)

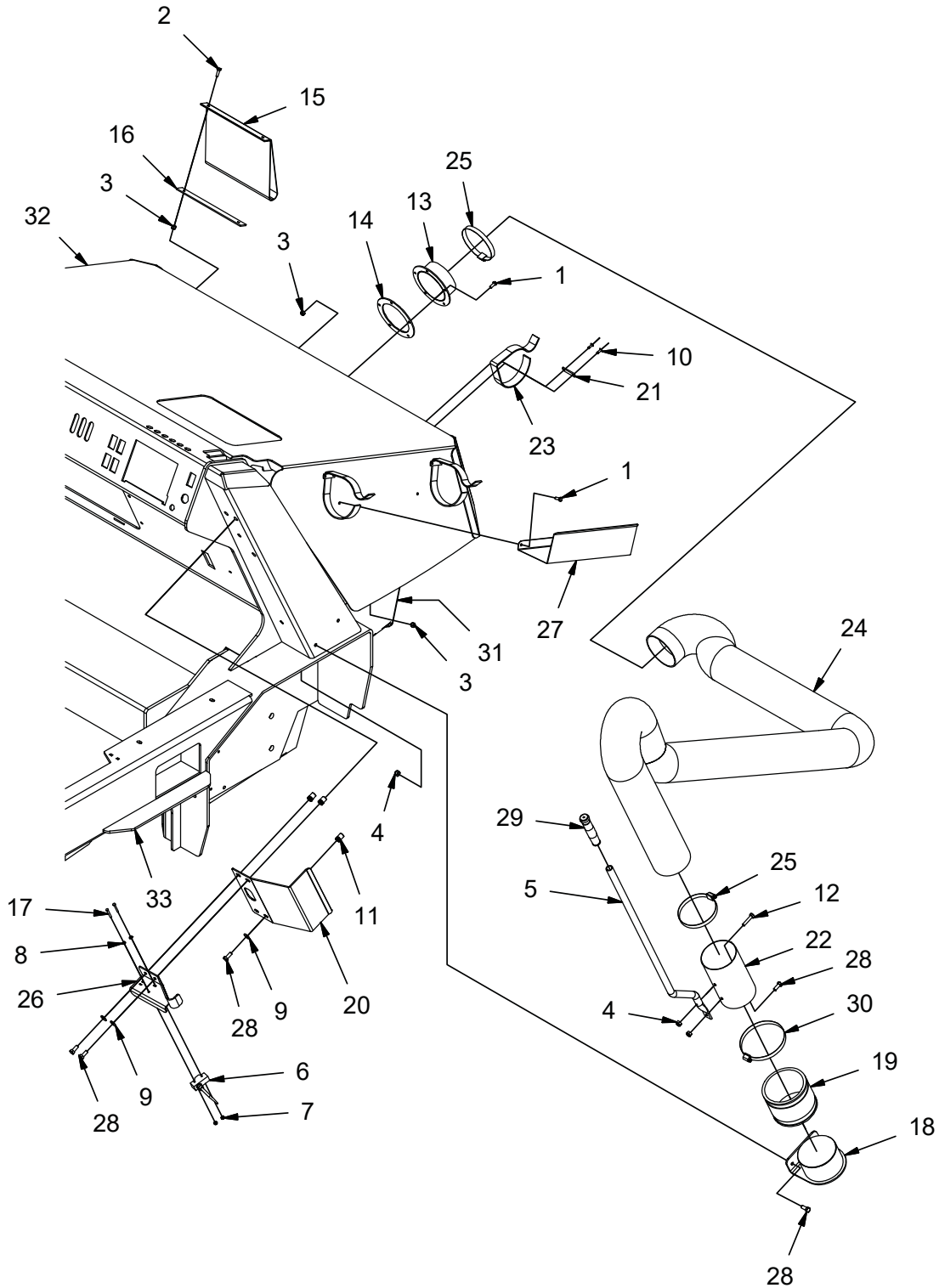


REV *

OPTION - AUTO DIESEL SHUTDOWN GROUP (600020)

Parts List 600020			
ITEM	PART NUMBER	QTY	DESCRIPTION
1	3316175	1	SWITCH, MURPHY SHUTDOWN ARMA
2	PART OF 3316175	1	LOCK WASHER
3	PART OF 3316175	1	NUT
4	PART OF 3316175	1	DECAL
-	748944	1	HARNESS, AUTO DIESEL SHUTDOWN
5	REF.	-	CONSOLE

OPTION - VACUUM WAND GROUP - PAGE 1 (600021)



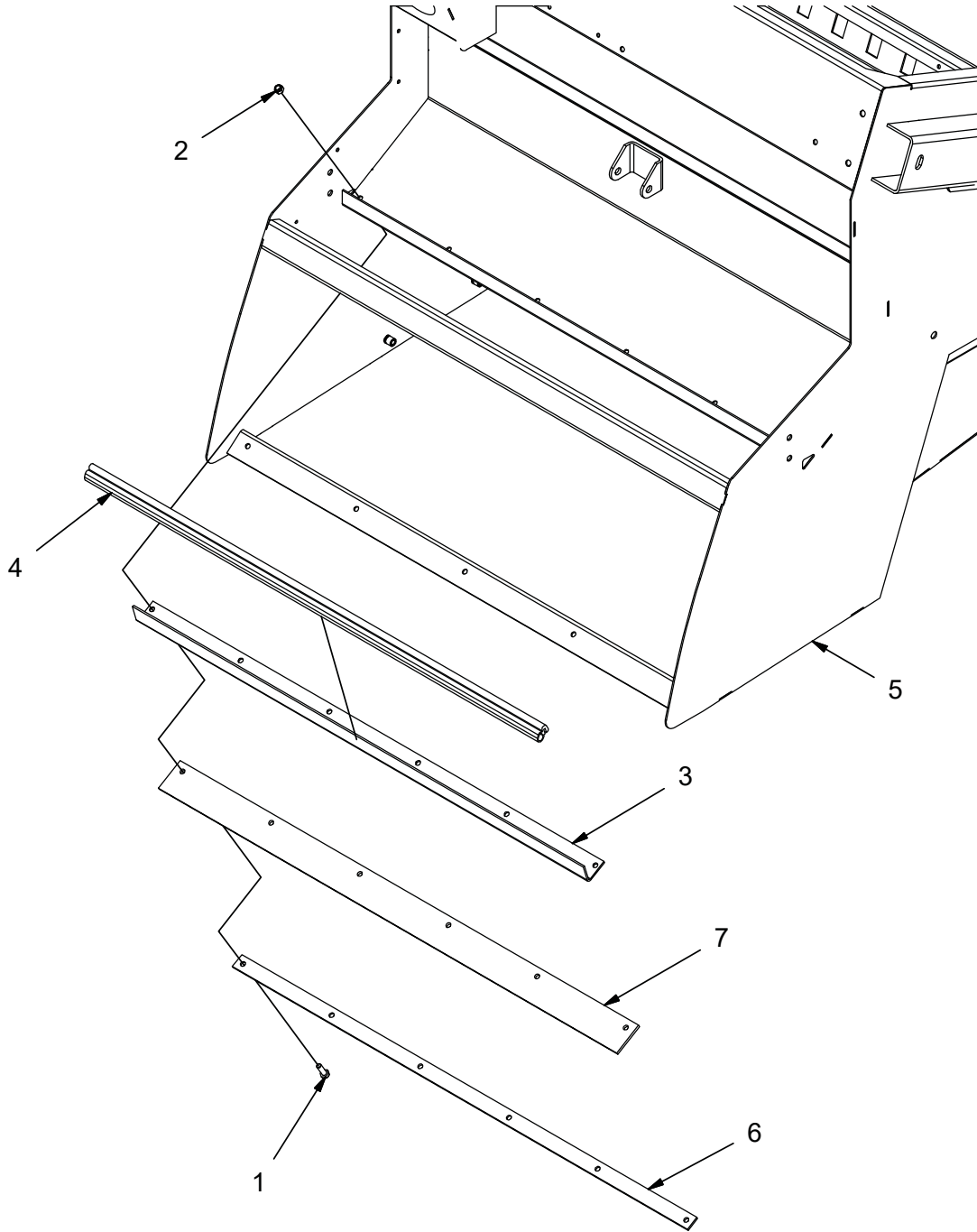
REV *

OPTION - VACUUM WAND GROUP - PAGE 1 (600021)

Parts List			
ITEM	PART NUMBER	QTY	DESCRIPTION
1	11038072	7	BOLT, M6-100 X 16 HH
2	11038098	2	BOLT, M6-100 X 20 HH
3	12040044	9	NUT, M6-1.00 ESN
4	12040051	4	NUT, M8-1.25 ESN
5	3339586	1	HOSE, VAC WAND
6	3342546	1	SWITCH, WHISKER
7	3400082	2	NUT, FIBER INSERT #8-32
8	3400096	2	FLATWASHER, #8
9	3400384	3	WASHER, 5/16 BELLEVILLE
10	3400484	6	RIVET, MULTI-GRIP
11	600852	3	M8-1.25 INSERT, .188 GRIP
12	600918	1	BOLT, M8-125 X 35 HH
13	620113	1	WELDMENT, VAC CONNECT
14	620116	1	GASKET, VAC CONNECT
15	620117	1	SHIELD, DIRT
16	620118	1	RETAINER, SHIELD
17	620136	2	BOLT, #8-32 X 1.25 HH ZP
18	620149	1	WELDMENT, WAND MNT
19	620153	1	TUBE, WAND END
20	620220	1	CRADLE, HOSE
21	620172	3	RETAINER,VELCRO
22	620173	1	TUBE, VAC WAND
23	620174	3	STRAP, VELCRO
24	620175	1	HOSE, VACUUM, 4"
25	620176	2	CLAMP, HOSE, 4"
26	620187	1	WELDMENT, VACUUM WAND RETAINER
27	620210	1	CHANNEL, HOSE
28	717024	6	BOLT, M8-1.25 X 20 HH
29	78-71-A	1	GRIP, HANDLE, BLACK
30	PART OF 620153	1	CLAMP, HOSE
31	REF.	-	HOPPER
32	REF.	-	HOPPER COVER
33	REF.	-	FRAME
-	748945	1	HARNESS

**OPTION GROUP (600021) - VACUUM WAND GROUP, INCLUDES:
600021 PAGE 1 & 600021 PAGE 2.**

OPTION - VACUUM WAND GROUP - PAGE 2 (600021)



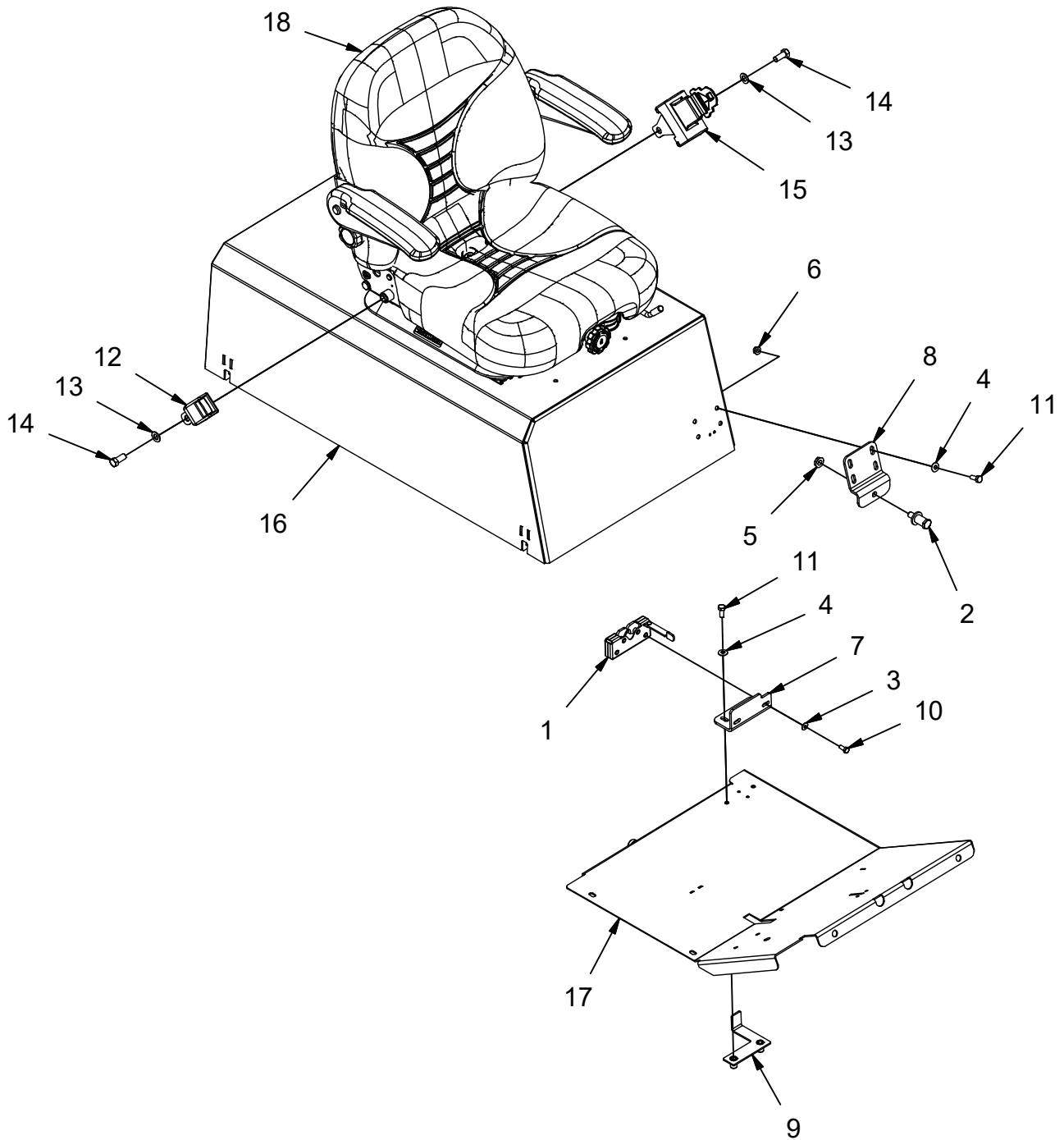
REV *

OPTION - VACUUM WAND GROUP - PAGE 2 (600021)

Parts List			
ITEM	PART NUMBER	QTY	DESCRIPTION
1	11038247	6	BLT-HH M8-125 X 25 STL ZINC
2	12040259	6	NUT, M8-1.25 ESN SS
3	620185	1	ANGLE, SEAL MNT
4	620186	1	EDGING, DUMP DOOR
5	REF.	-	HOPPER
6	REF.	-	RETAINER, DOOR BAR SEAL
7	REF.	-	SEAL, DUMP DOOR BAR

**OPTION GROUP (600021) - VACUUM WAND GROUP, INCLUDES:
600021 PAGE 1 & 600021 PAGE 2.**

OPTION - SEAT BELT, SUSPENSION SEAT GROUP (600022)

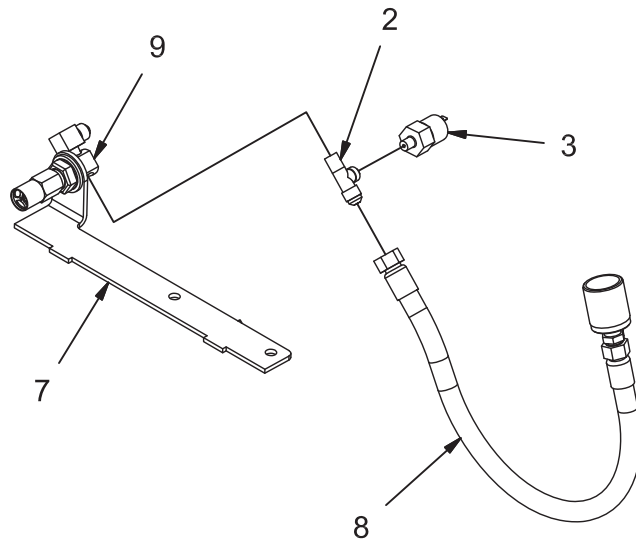
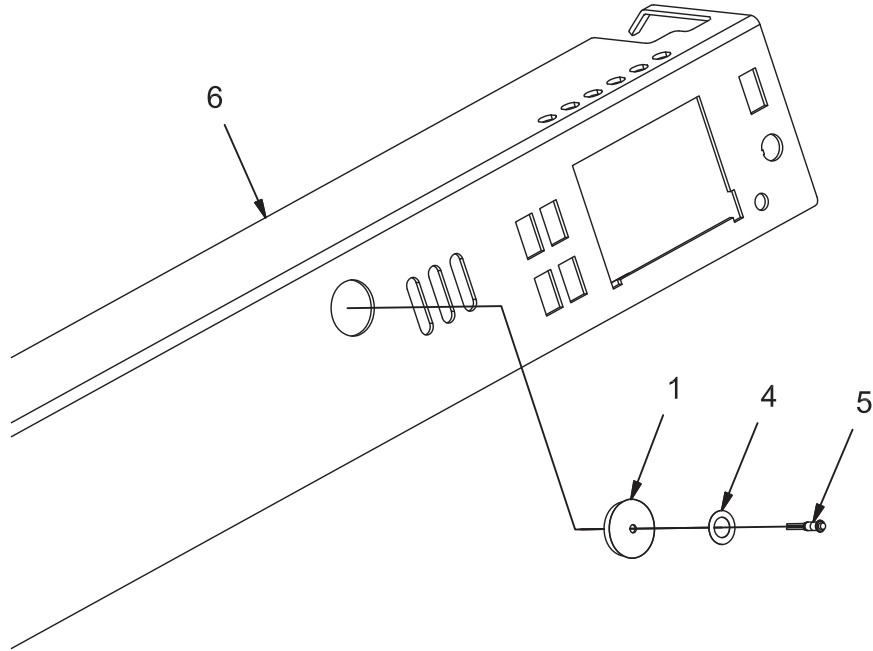


REV A

OPTION - SEAT BELT, SUSPENSION SEAT GROUP (600022)

Parts List			
ITEM	PART NUMBER	QTY	DESCRIPTION
1	3307246	1	LATCH, LH
2	3307248	1	STRIKER-LATCH
3	3400383	2	WASHER, 1/4 BELLEVILLE
4	3400384	6	WASHER, 5/16 BELLEVILLE
5	3400394	1	NUT, 7/16-14 FLNG
6	600934	4	NUT, M8-1.25 FLNG
7	620193	1	BRACKET, LATCH
8	620194	1	BRACKET, STRIKER
9	620216-1	1	ASSEMBLY, NUT PLATE
10	713001	2	SCREW, 1/4-20 X .625 HHC
11	717024	6	BOLT, M8-1.25 X 20 HH
12	PART OF 620192	1	SEAT BELT, RECEIVER
13	PART OF 620192	2	7/16 FLAT WASHER
14	PART OF 620192	2	BOLT, 7/16-20 x 1.00
15	PART OF 620192	1	SEAT BELT, RETRACTOR
16	REF.	1	PUMP COVER
17	REF.	-	FLOOR
18	REF.	-	SEAT, SUSPENSION

OPTION - LOW LPG INDICATOR GROUP (600023)

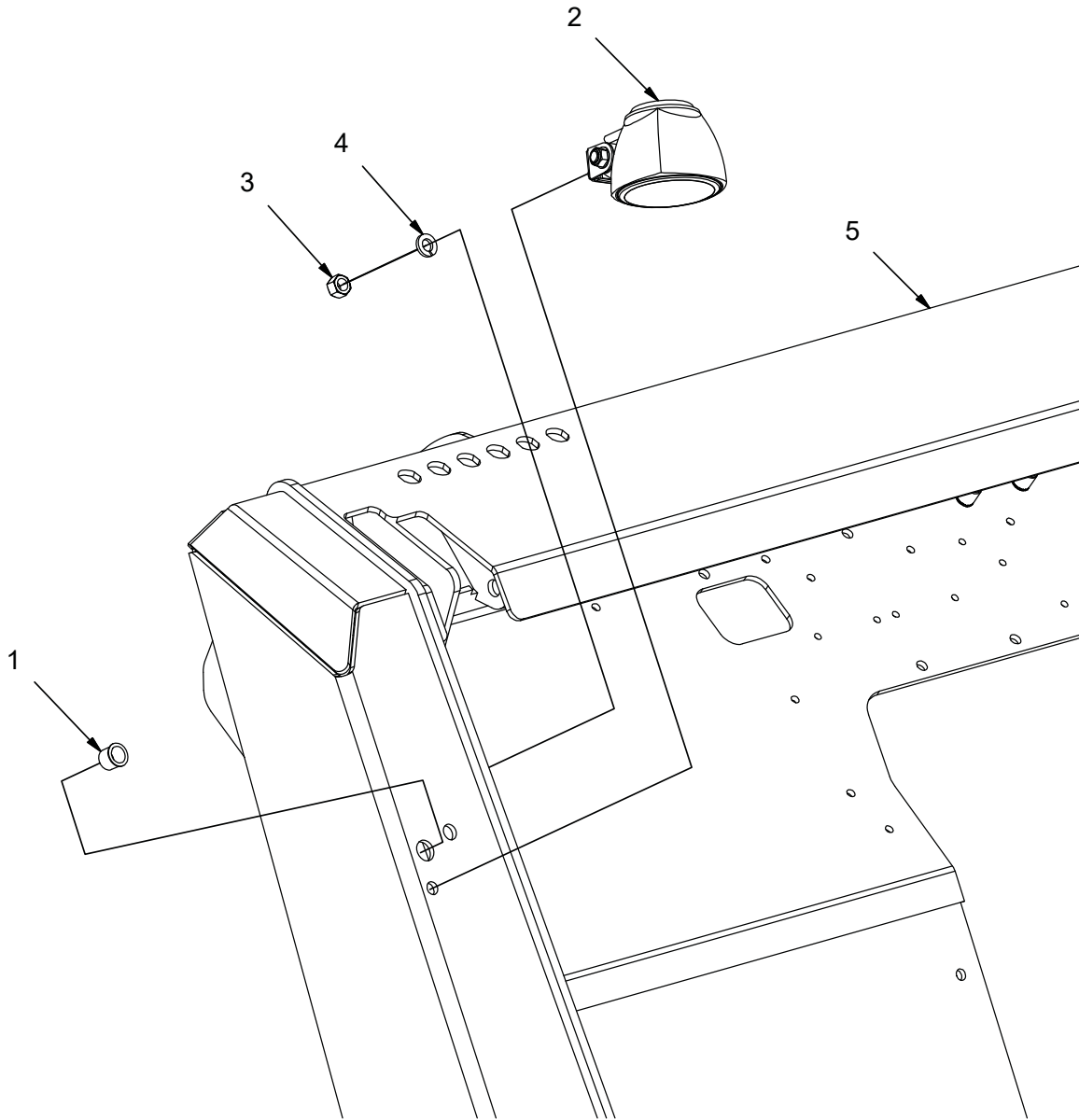


REV C

OPTION - LOW LEVEL INDICATOR GROUP (600023)

Parts List			
ITEM	PART NUMBER	QTY	DESCRIPTION
1	3301822-1	1	PLUG, PLASTIC, W/ MOUNTING HOLE
2	3305535-2	1	TEE, BRASS
3	3305535-3	1	LP INDICATOR SENSOR
4	3305535-4	1	LPG LABEL
5	620069-1	1	ASSY, INDICATOR LAMP, LO LP
6	REF.	-	FRAME
7	REF.	-	FRAME
8	REF.	-	LP TANK HOSE
9	REF.	-	RELIEF VALVE MOUNT
-	748940	1	WIRE ASSY, LO LP INDICATOR
-	746050	2	INSULATOR CAP, TERMINAL

OPTION - SIDE BROOM LIGHT GROUP (600025)

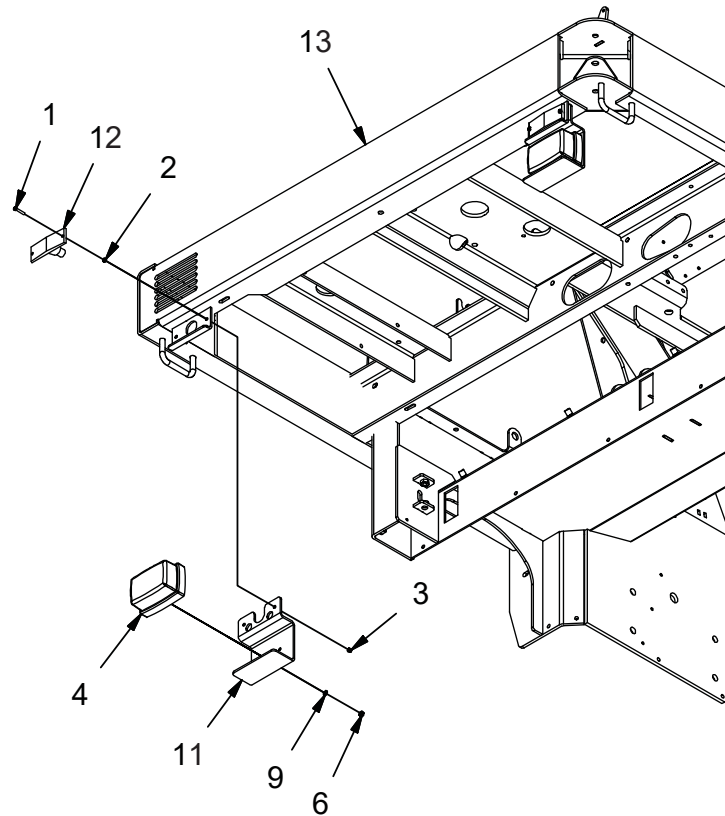
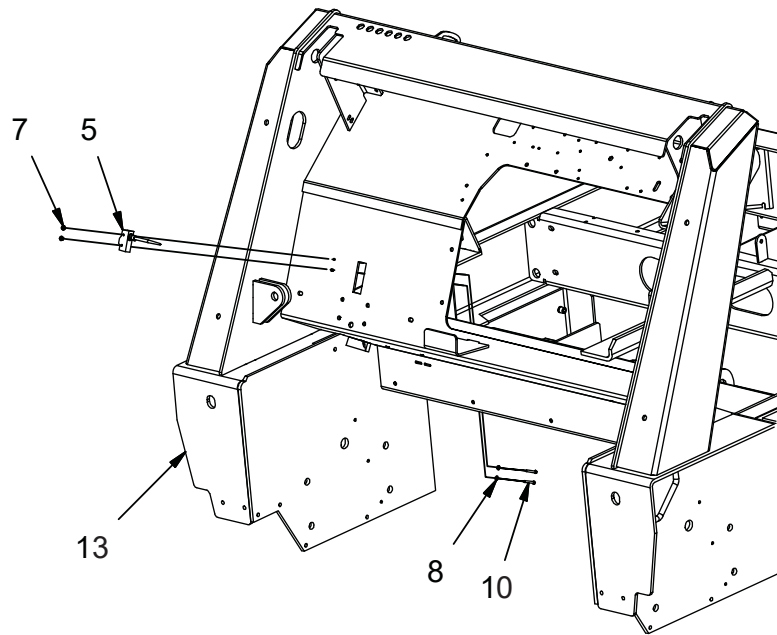


REV A

OPTION - SIDE BROOM LIGHT GROUP (600025)

Parts List			
ITEM	PART NUMBER	QTY	DESCRIPTION
1	170033	1	HEYCO BUSHING, .50X.625X.56
2	620209-1	1	ASSEMBLY, HEADLIGHT, 12VDC
3	PART OF 620209	1	NUT, HEX 3/8-16
4	PART OF 620209	1	LOCK WASHER, 3/8
5	REF.	-	FRAME
-	748941	1	HARNESS

OPTION - BRAKE LIGHTS GROUP (600027)

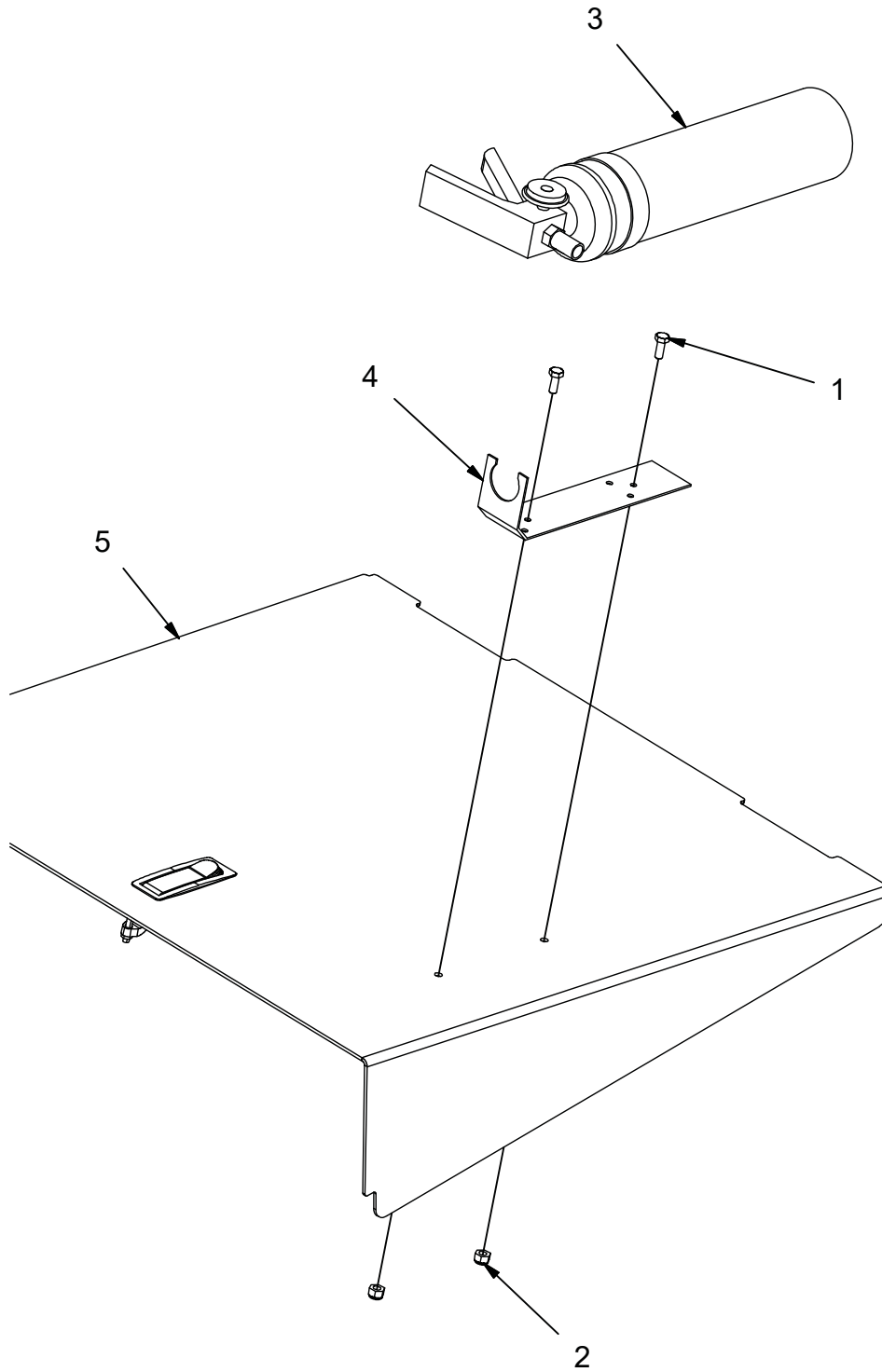


REV A

OPTION - BRAKE LIGHTS GROUP (600027)

Parts List			
ITEM	PART NUMBER	QTY	DESCRIPTION
1	11039765	4	BOLT, M5-0.8 X 30 HHB
2	12022430	4	NUT, HEX, M5 - 0.8
3	12040036	4	NUT, M5 - 0.8 ESN
4	3303204	2	LIGHT, TAIL, 12V, COMBINATION
5	3342546	1	SWITCH, WHISKER
6	3400071	4	NUT, HEX, 1/4-20 ZP
7	3400082	2	NUT, FIBER INSERT #8-32
8	3400096	2	FLATWASHER, #8
9	3400103	4	LOCK WASHER, 1/4 HS MED
10	620136	2	BOLT, #8-32 X 1.25 HH ZP
11	620161	2	BRACKET, REAR AUX LIGHT MNT
12	REF.	-	TAIL LIGHT
13	REF.	-	FRAME

OPTION - FIRE EXTINGUISHER GROUP (600028)

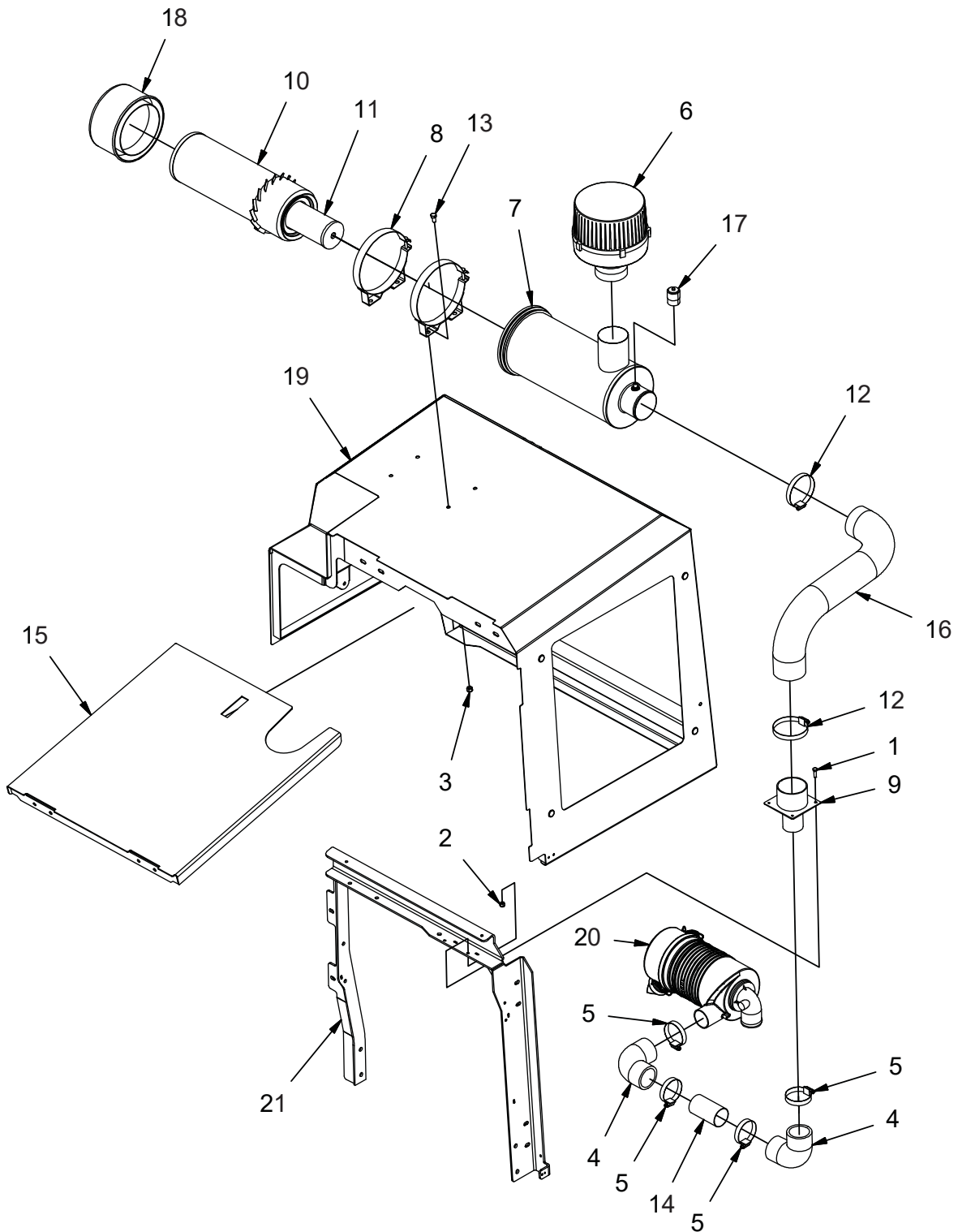


REV *

OPTION - FIRE EXTINGUISHER GROUP (600028)

Parts List			
ITEM	PART NUMBER	QTY	DESCRIPTION
1	11132065	2	BOLT, M6-100 X 16 HH
2	12040044	2	NUT, M6-1.00 ESN
3	3302769	1	FIRE EXTINGUISHER
4	PART OF 3302769	-	MOUNT, EXTINGUISHER
5	REF.	-	TOP COVER

OPTION - HEAVY DUTY AIR CLEANER GROUP - DIESEL (600029)

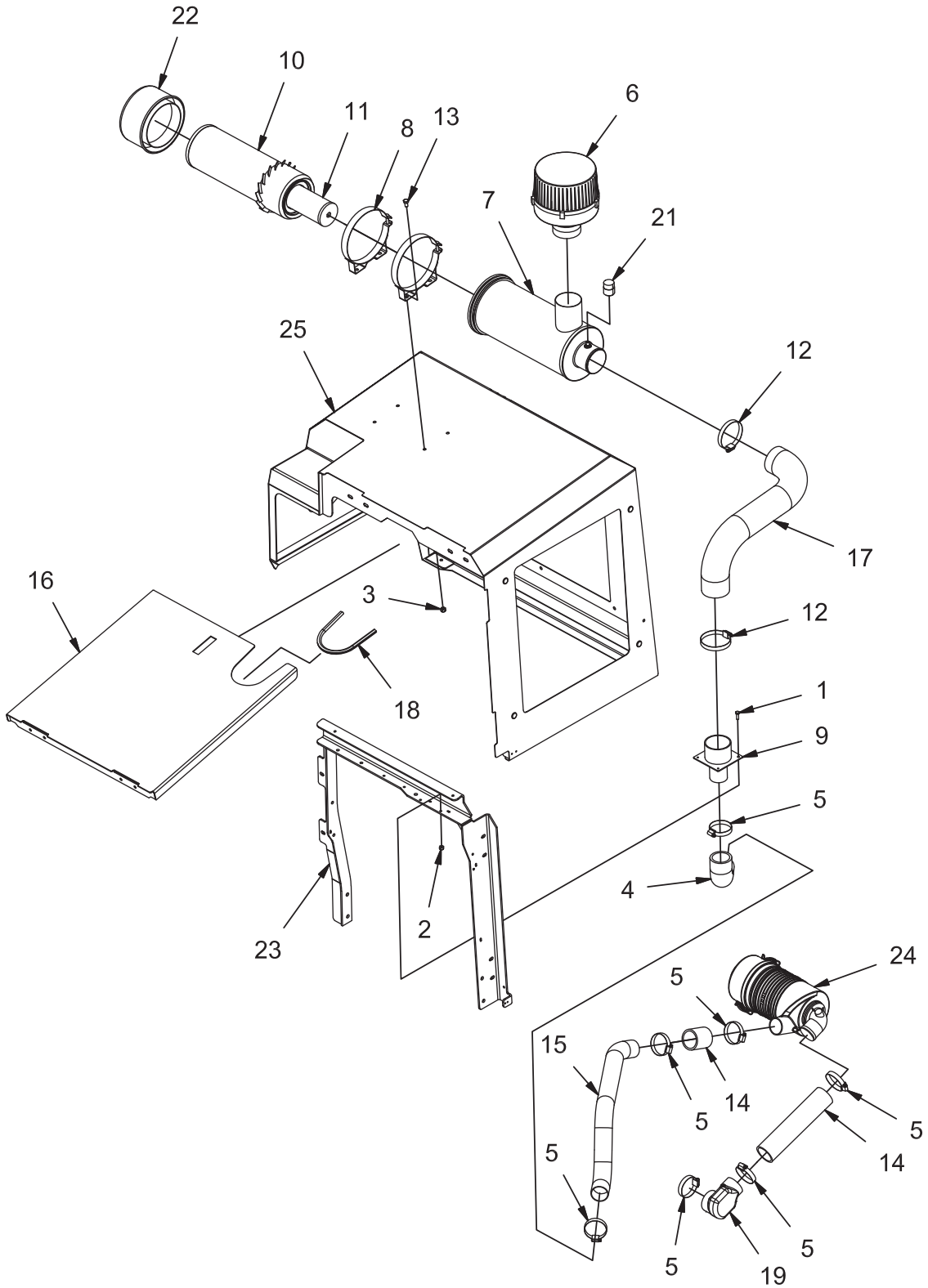


REV A

OPTION - HEAVY DUTY AIR CLEANER GROUP - DIESEL (600029)

Parts List			
ITEM	PART NUMBER	QTY	DESCRIPTION
1	11038098	2	BOLT, M6-100 X 20 HH
2	12040044	2	NUT, M6-1.00 ESN
3	12040051	4	NUT, M8-1.25 ESN
4	3300396	2	ADAPTER, 2" 90
5	3312189	4	CLAMP, HOSE, 2.00
6	3331035	1	PRE-CLEANER
7	3331036	1	HEAVY DUTY AIR CLEANER (WITH FILTER ELEMENT)
8	3331037	2	MOUNT, AIR CLEANER
9	3332508-HA	1	AIR CONNECTOR, 2" - 3"
10	3337852	-	REPLACEMENT FILTER ELEMENT, PRIMARY
11	3337853	-	REPLACEMENT FILTER ELEMENT, SECONDARY
12	3343273	2	CLAMP, HOSE, 3.0 - 3.50
13	3400291	4	BOLT, M8-1.25 X 16 HH
14	620165	1	TUBE, HD AIR INTAKE, DIESEL
15	620166	1	WELDMENT, TOP COVER HD AIR CLEANER
16	620167	1	HOSE, AIR INTAKE, 3"
17	PART OF 3331036	1	INDICATOR, FLTR SERVICE
18	PART OF 3331036	1	CAP, AIR CLEANER
19	REF.	-	ENGINE COVER
20	REF.	-	AIR CLEANER
21	REF.	-	COVER FRAME

OPTION - HEAVY DUTY AIR CLEANER GROUP - GAS (600038)

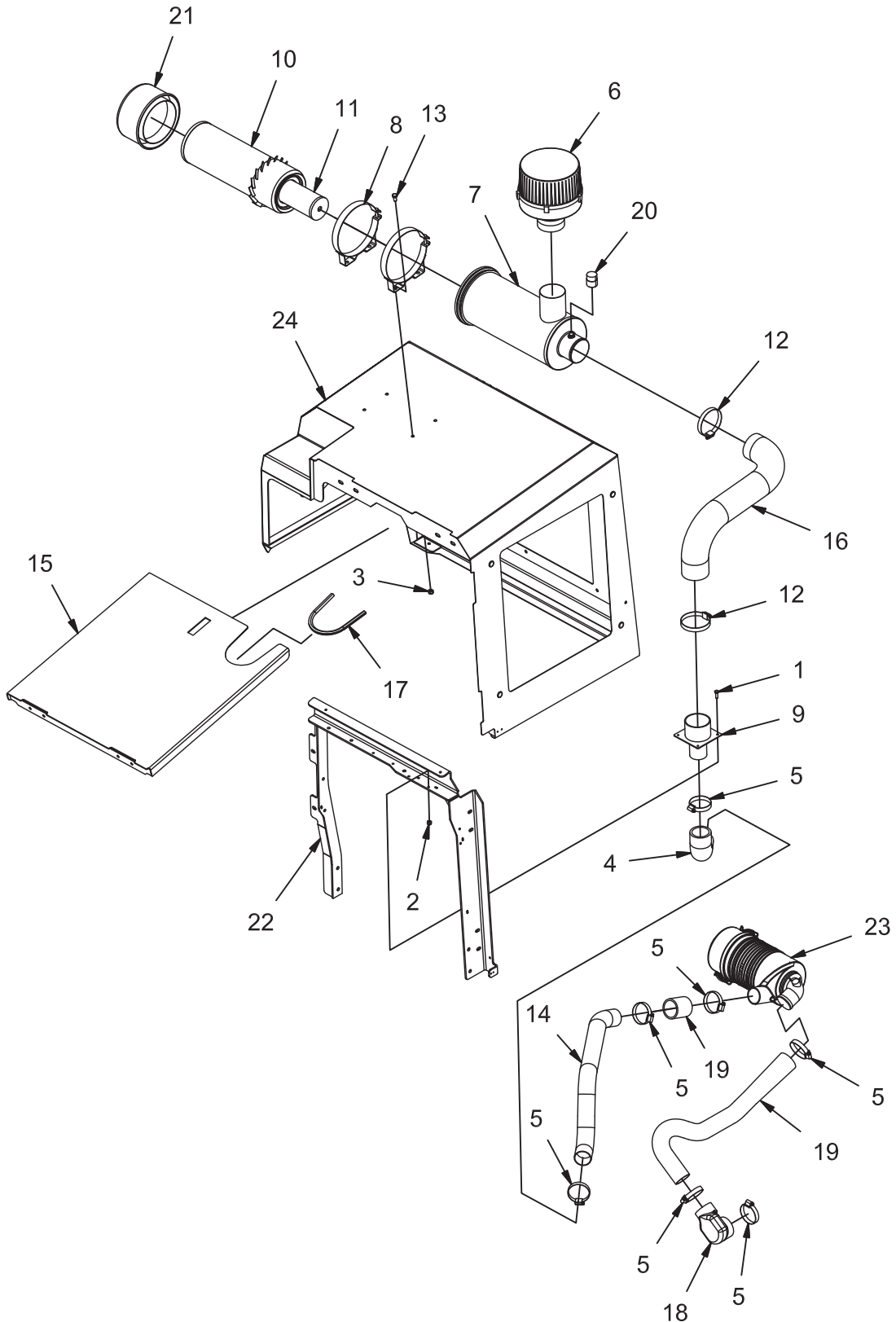


REV A

OPTION - HEAVY DUTY AIR CLEANER GROUP - GAS (600038)

Parts List 600038			
ITEM	PART NUMBER	QTY	DESCRIPTION
1	11038098	2	BOLT, M6-100 X 20 HH
2	12040044	2	NUT, M6-1.00 ESN
3	12040051	4	NUT, M8-1.25 ESN
4	3300396	1	ADAPTER, 2" 90
5	3312189	7	CLAMP, HOSE, 2.00
6	3331035	1	PRE-CLEANER
7	3331036	1	HEAVY DUTY AIR CLEANER (WITH FILTER ELEMENTS)
8	3331037	2	MOUNT, AIR CLEANER
9	3332508-HA	1	AIR CONNECTOR, 2" - 3"
10	3337852	-	REPLACEMENT FILTER ELEMENT, PRIMARY
11	3337853	-	REPLACEMENT FILTER ELEMENT, SECONDARY
12	3343273	2	CLAMP, HOSE, 3.0 - 3.50
13	3400291	4	BOLT, M8-1.25 X 16 HH
14	730056	2	HOSE, 2.00 X 2.50
15	620164	1	TUBE, HD AIR INTAKE
16	620166	1	WELDMENT, TOP COVER HD AIR CLEANER
17	620167	1	HOSE, AIR INTAKE, 3"
18	620168	1	EDGING, .125 X 13.44
19	620662	1	COBRA AIR INTAKE
21	PART OF 3331036	1	INDICATOR, FLTR SERVICE
22	PART OF 3331036	1	CAP, AIR CLEANER
23	REF	-	COVER FRAME
24	REF	-	AIR CLEANER
25	REF.	-	WELDMENT, ENGINE COVER

OPTION - HEAVY DUTY AIR CLEANER GROUP - LPG (600039)

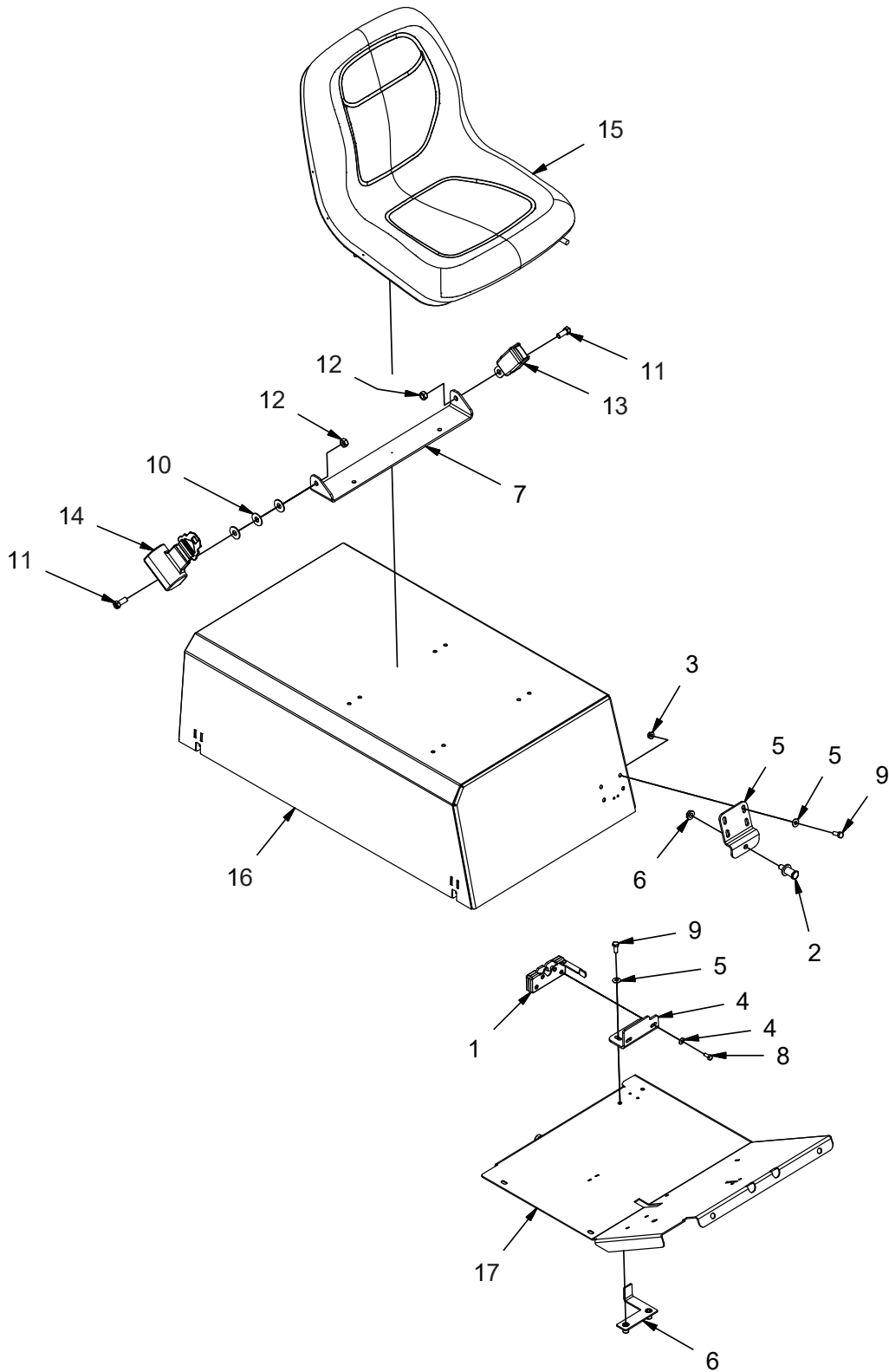


REV A

OPTION - HEAVY DUTY AIR CLEANER GROUP - LPG (600039)

Parts List 600039			
ITEM	PART NUMBER	QTY	DESCRIPTION
1	11038098	2	BOLT, M6-100 X 20 HH
2	12040044	2	NUT, M6-1.00 ESN
3	12040051	4	NUT, M8-1.25 ESN
4	3300396	1	ADAPTER, 2" 90
5	3312189	7	CLAMP, HOSE, 2.00
6	3331035	1	PRE-CLEANER
7	3331036	1	HEAVY DUTY AIR CLEANER (WITH FILTER ELEMENTS)
8	3331037	2	MOUNT, AIR CLEANER
9	3332508-HA	1	AIR CONNECTOR, 2" - 3"
10	3337852	-	REPLACEMENT FILTER ELEMENT, PRIMARY
11	3337853	-	REPLACEMENT FILTER ELEMENT, SECONDARY
12	3343273	2	CLAMP, HOSE, 3.0 - 3.50
13	3400291	4	BOLT, M8-1.25 X 16 HH
14	620164	1	TUBE, HD AIR INTAKE
15	620166	1	WELDMENT, TOP COVER HD AIR CLEANER
16	620167	1	HOSE, AIR INTAKE, 3"
17	620168	1	EDGING, .125 X 13.44
18	620662	1	COBRA AIR INTAKE
19	730056	2	HOSE, 2.00 X 2.50
20	PART OF 3331036	1	INDICATOR, FLTR SERVICE
21	PART OF 3331036	1	CAP, AIR CLEANER
22	REF	-	COVER FRAME
23	REF	-	AIR CLEANER
24	REF.	-	WELDMENT, ENGINE COVER

OPTION - SEAT BELT, STANDARD SEAT GROUP (600030)

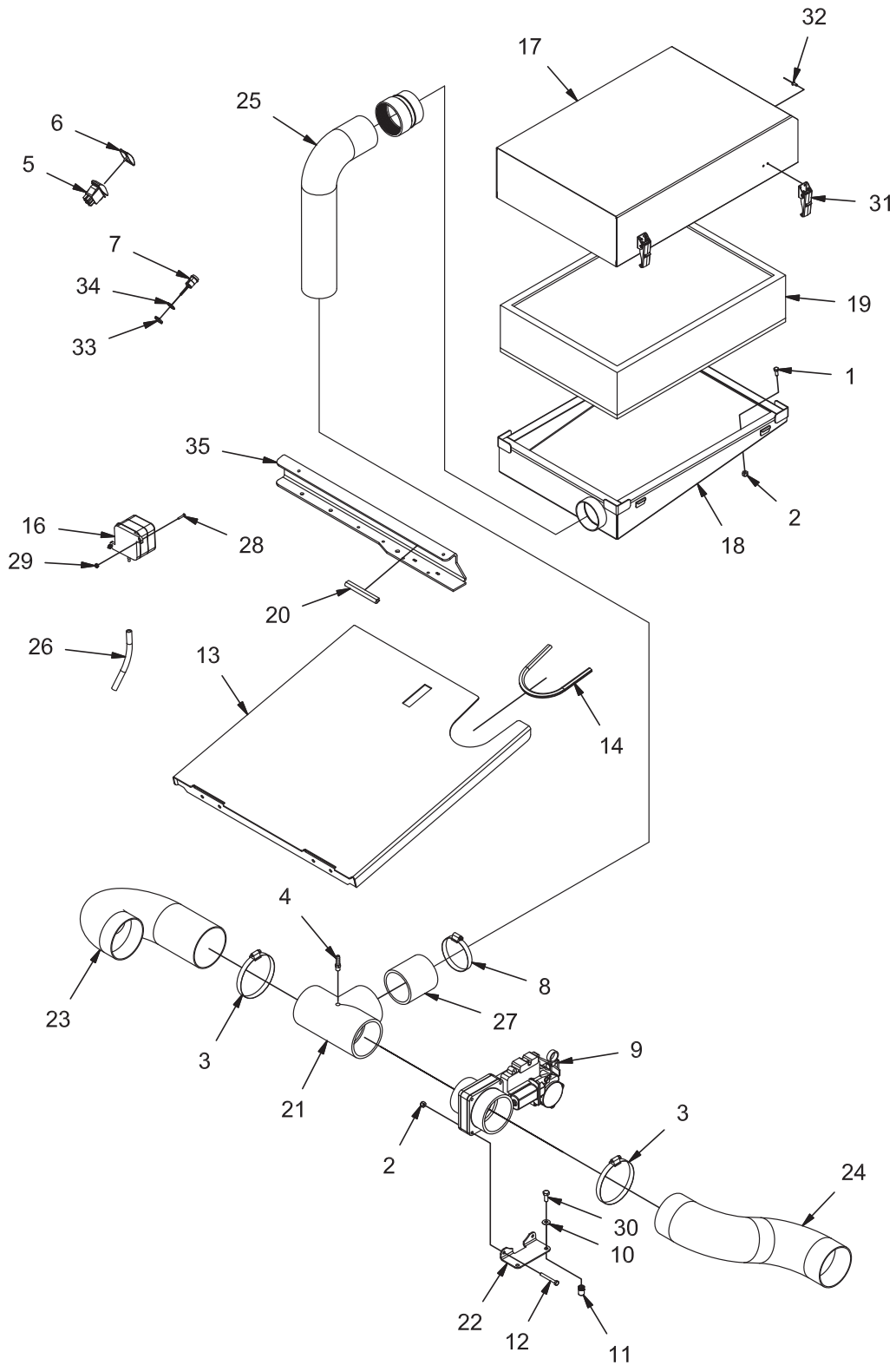


REV *

OPTION - SEAT BELT, STANDARD SEAT GROUP (600030)

Parts List			
ITEM	PART NUMBER	QTY	DESCRIPTION
1	3307246	1	LATCH, LH
2	3307248	1	STRIKER-LATCH
3	600934	4	NUT, M8-1.25 FLNG
4	620193	1	BRACKET, LATCH
5	620194	1	BRACKET, STRIKER
6	620216-1	1	ASSEMBLY, NUT PLATE
7	620222	1	BRACKET, SEAT BELT
8	713001	2	SCREW, 1/4-20 X .625 HHC
9	717024	6	BOLT, M8-1.25 X 20 HH
10	PART OF 620192	3	WASHER
11	PART OF 620192	2	BOLT, 7/16-20
12	PART OF 620192	2	NUT, 7/16-20
13	PART OF 620192	1	SEAT BELT, RECEIVER
14	PART OF 620192	1	SEAT BELT, RETRACTOR
15	REF.	-	SEAT
16	REF.	-	PUMP COVER
17	REF.	-	FLOOR

OPTION- MERV FILTER, ATLAS (600046)

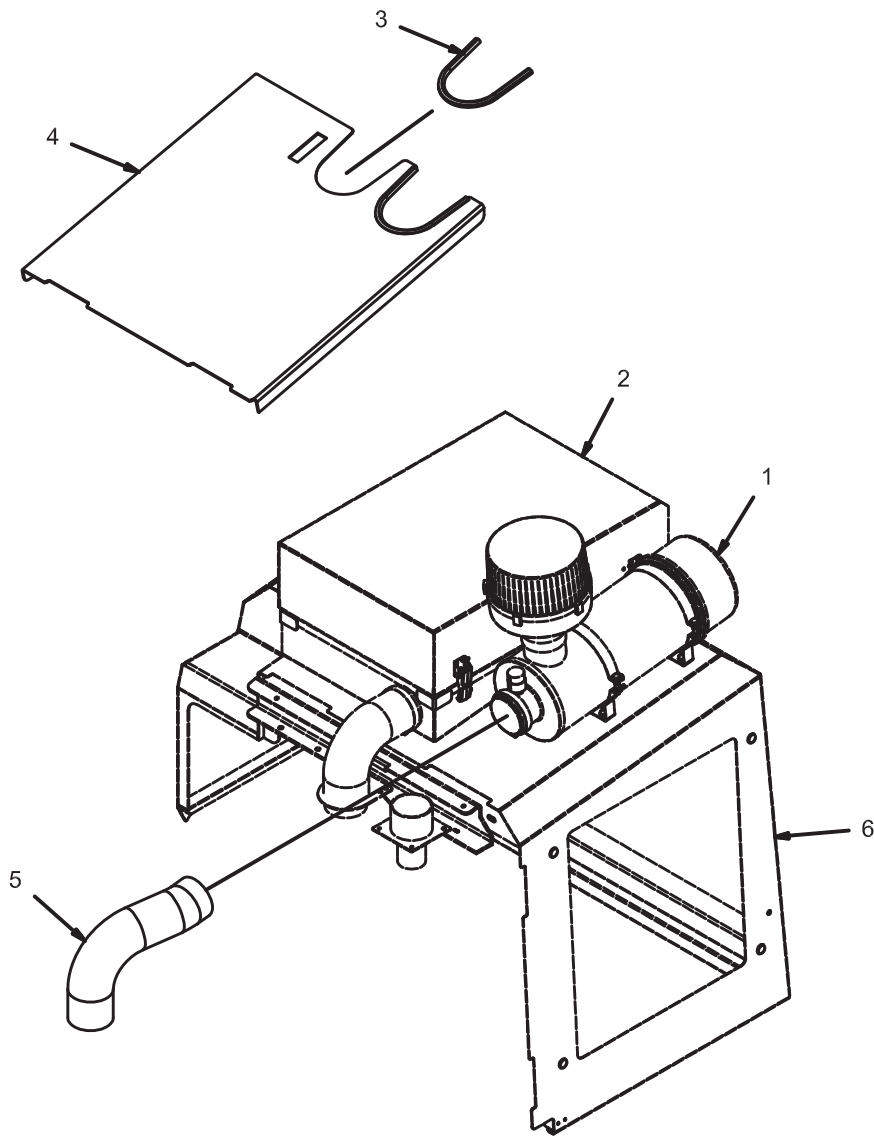


REV C

OPTION- MERV FILTER, ATLAS (600046)

Parts List 600046			
ITEM	PART NUMBER	QTY	DESCRIPTION
1	11038072	4	BOLT, M6-100 X 16 HH
2	12040044	6	NUT, M6-1.00 ESN
3	3300351	2	CLAMP, HOSE, 4.50
4	3304920	1	FTG-HOSE BARB 1/8MPTX5/16HOSE BRASS
5	3332713	1	SWITCH-DOUBLE SCRUB BROOM
6	3342273	1	SWITCH COVER - BLACK, CLEAR LENS
7	3342905	1	LIGHT ASSY, INDICATOR RED - LED
8	3343273	1	CLAMP, HOSE, 3.0 - 3.50
9	3345044-1	1	VALVE, ACTUATED GATE, 12 VDC
10	3400384	2	WASHER, 5/16 BELLEVILLE
11	600852	2	M8-1.25 INSERT, .188 GRIP
12	600953	2	BOLT, M6-1.00 X 50 HH
13	620166	1	WELDMENT, TOP COVER HD AIR CLEANER
14	620168	1	EDGING, .125 X 13.44
15	650168	1	CUFF-HOSE 3.00 CORR TO 3.00 OPEN-SHORT
16	690083-2	1	HARNESS ASSY, SWITCH, DIFF
17	690636	1	WELDMENT, FILTER COVER
18	690640	1	WELDMENT, FILTER BASE
19	690642	1	FILTER, MERV 17
20	690648	1	EDGING, 3/16 X 4.0"
21	690662-1	1	MERV FILTER TEE
22	690663	1	MOUNT, VALVE
23	690666	1	HOSE, 4.00 IMPELLER TO VALVE
24	690667	1	HOSE, 4.00 VALVE TO FRAME
25	690669	1	HOSE, 3.00 FILTER
26	690671	1	TUBING, .313 ID REINFORCED
27	690676	1	TUBE, 3.00 PVC X 3.50 SCH 40
28	710305	2	SCR-FHMS, #6-32 X .75 ZP
29	711371	2	NUT, #6-32 ESN ZP
30	717024	2	BOLT, M8-1.25 X 20 HH
31	730652	4	LATCH, UNDER CENTER
32	730654	8	RIVET,BLIND, .156 D X .062 - .125 GRIP SS
33	PART OF 3342905	1	NUT
34	PART OF 3342905	1	LOCKWASHER
35	REF.	-	COVER FRAME
-	260183	1	NUT 1/4 NPT NYL
-	715092	1	DECAL - HEPA CLOG FILTER INDICATOR
-	715096	1	DECAL - FILTER BYPASS
-	748020	1	CONNECTOR-PACKARD 2 PIN MALE
-	748872	1	HARNESS, MERV CLOG FILTER
-	748873	1	HARNESS ASSY, MERV FILTER
-	3322601	1	FUSE-15A PUSH IN
-	3401672	1	FTG-ADAPTER 1/8 HB BRASS X 1/4 MPT

OPTION- MRV FLTR, USED W/HVY DTY AIR CLNR (600047)

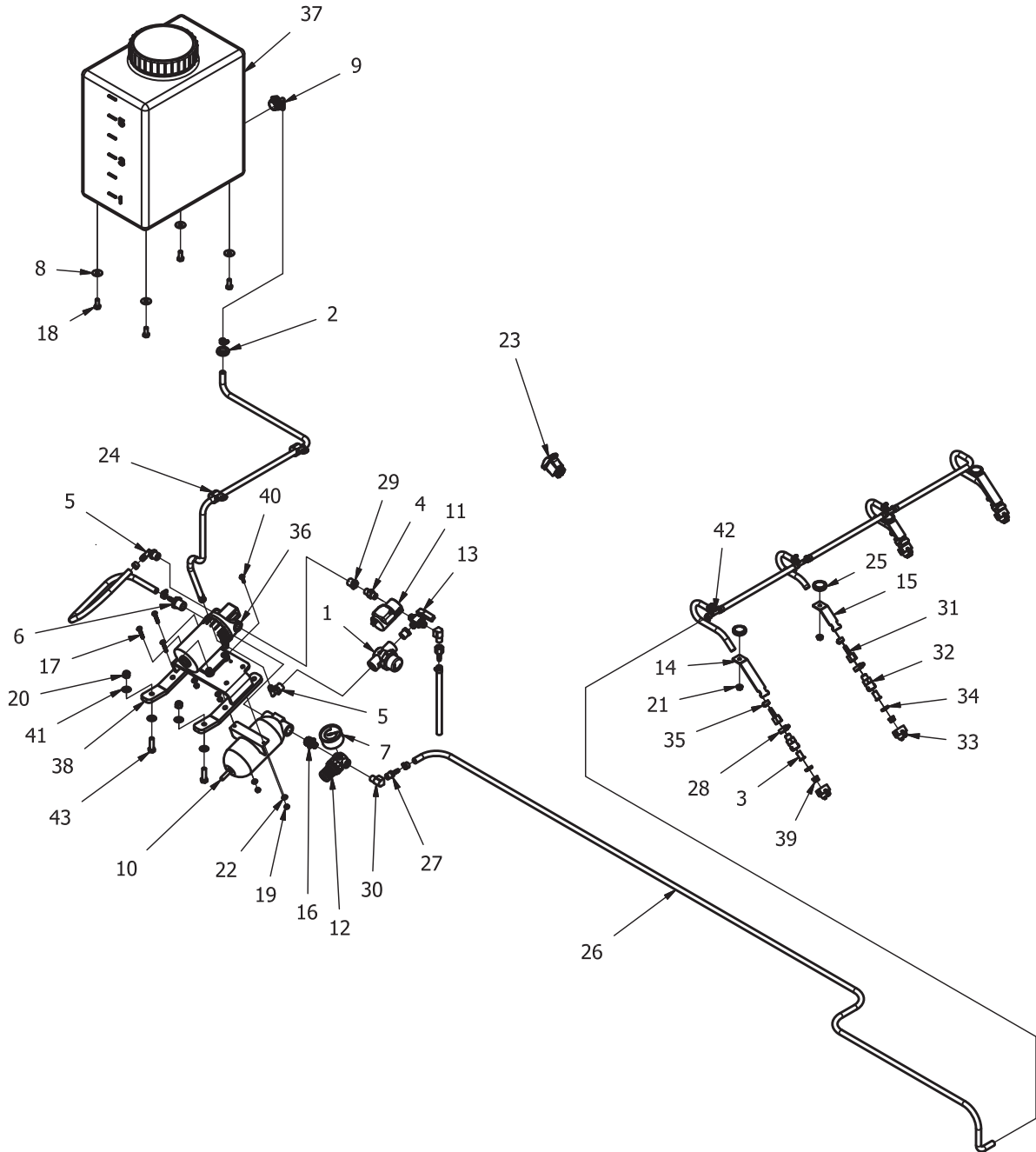


REV A

OPTION- MRV FLTR, USED W/HVY DTY AIR CLNR (600047)

Parts List			
ITEM	PART NUMBER	QTY	DESCRIPTION
1	600024	1	OPTIONAL HEAVY-DUTY AIR CLEANER GROUP
2	600046	1	OPTIONAL MERV 17 FILTER GROUP
3	620168	1	EDGING, .125 X 13.44
4	690659	1	TOP COVER, DUAL OPT, BODY
5	690672	1	HOSE, 3"
6	REF.	-	ENGINE COVER

OPTION - ATLAS DUST SUPPRESSION, DUAL (620737)

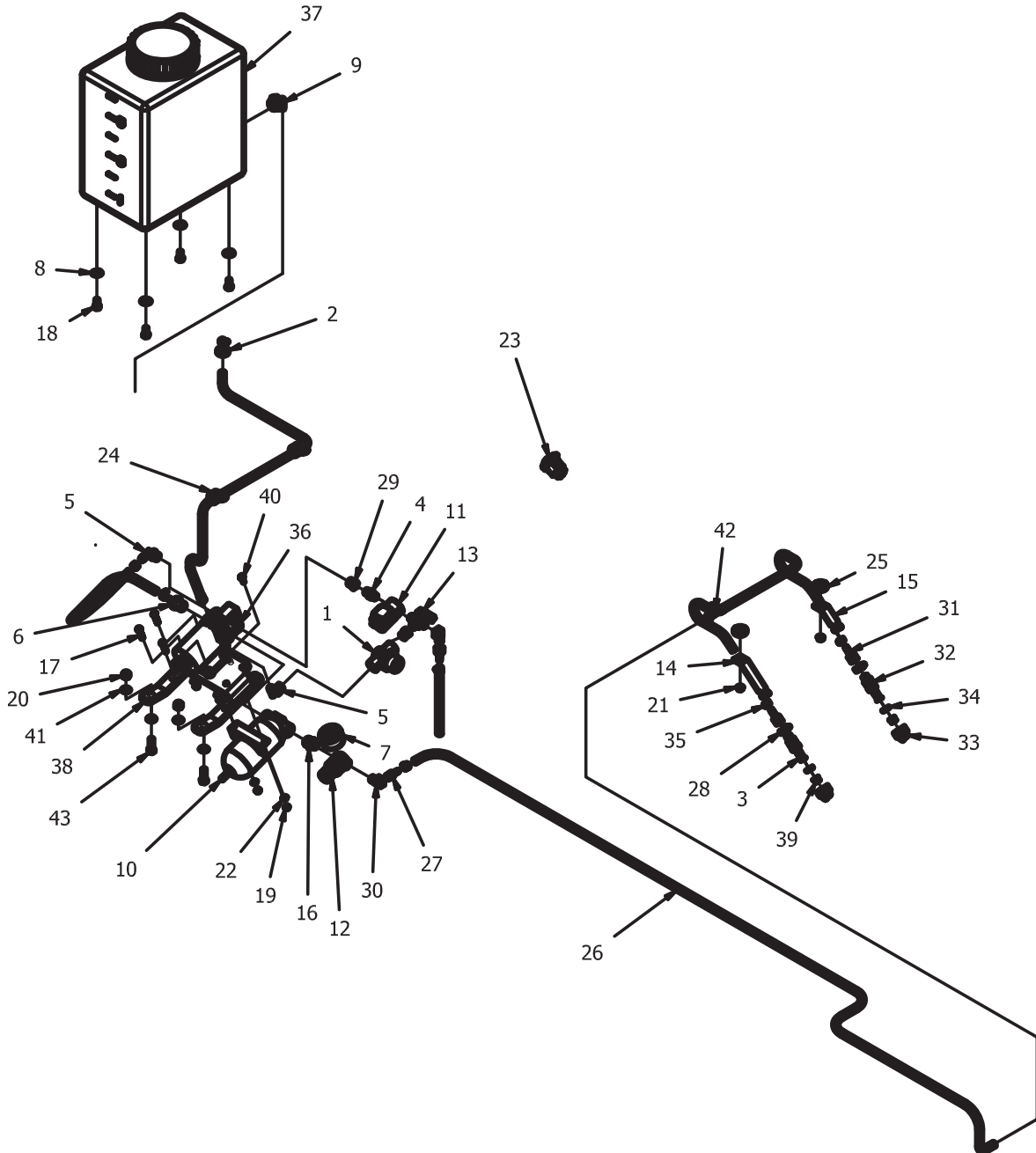


REV A

OPTION - ATLAS DUST SUPPRESSION, DUAL (620737)

PARTS LIST - 620739			
ITEM	PART NUMBER	QTY	DESCRIPTION
1	173158	1	IN-LINE FILTER ASSEMBLY, 3/8 FNPT
2	260274	1	GROMMET Z-421
3	281041	4	VALVE-CHECK
4	450059	1	FITTING BRASS 1/4MPT 1/4MPT
5	450222	2	FTG-ELBOW 90 3/8 MPT X 1/4 HB NYLON
6	500123	1	FTG-ADAPTER 1/2 MPT X 1/4 HB BRASS
7	600183	1	GAUGE, 0-60 PSI
8	600940	4	WASHER-FENDER M8 X 24 ZP
9	620268	1	FTG-ELBOW 90 3/4 MPT X 1/4 HB NYLON
10	620277	1	ACCUMULTATOR
11	620278-1	1	SOLENOID ASSY, WATER, 1/4 FPT 12V 250PSI
12	620279	1	VALVE-PRES REGULATOR, 1/4 FPT 5-125PSI
13	620280	1	VALVE-CONTROL TEE, 1/4 MPT
14	620735	2	PLATE, MOUNT, NOZZLE, LONG
15	620736	2	PLATE, MOUNT, NOZZLE, SHORT
16	620738	1	FTG-ADAPTER 1/2 MPT TO 1/4 MPT
17	710030	3	SCR-PHMS 10-32 X 1-3/8 SS
18	711228	4	SCR-HH 5/16-18 X .75 ZP GR 5
19	711350	4	NUT-NYLOC 10-32 ZP
20	711380	2	NUT-NYLOC 3/8-16 ZP
21	711425	4	NUT-FLANGED WIZZ 1/4-20 ZP
22	711503	4	WASHER-FLAT #10 X .50 ZP
23	718357	1	SWITCH, CONTURA LEFT, ON/ON
24	731146	2	CLAMP - WIRE & TUBE .875/.406 DIA STEEL
25	770137	4	MAGNET, 1.26" OD X .315 THK, 75LB
26	828488	24FT	HOSE-1/4 X .5 275 PSI NYLO
27	829106	1	FTG-ADAPTER 1/4 MPT X 1/4 HB BRASS
28	829129	4	CLAMP - SCREW .313" to .875" DIA 301SS
29	830708	2	FTG-REDUCER 3/8 MPT X 1/4 FPT BRASS
30	831306	2	FTG-ELBOW 90 ST 1/4 MPT X 1/4 FPT BRASS
31	831327	5	FTG-ADAPTER 1/4 FPT X 1/4 HB BRASS
32	833140	4	CONNECTOR-BODY INLET
33	833141	4	CAP
34	833142	4	GASKET-CAP
35	3302338	19	CLAMP - SCREW .25" to .625" DIA 301SS
36	3331278-1	1	PUMP ASSY-SOLUTION 1.6GPM 60 PSI 12V
37	3337964	1	WATER TANK - 7 GAL W/3/4" FTG
38	3338435	1	WDT - COMPRESSOR MNT
39	3339519	4	NOZZLE, SPRAY TIP TPU00050
40	3400044	1	SCR-HH 10-32 X .75 ZP SERR FLANGE
41	3400087	4	WASHER-FLAT 3/8 ZP
42	3401683	3	FTG-TEE 1/4 HB X 1/4 HB X 1/4 HB PP
43	3402010	2	SCR-HEX 3/8-16 X 1.25 SS
44	620734	1	HARNESS ASSY, DUST SUPPRESSION
45	740099-B	5	CABLE TIE-SMALL (BLACK)
46	828062-B	15	CABLE TIE-LARGE (BLACK)

OPTION-ATLAS DUST SUPPRESSION, SINGLE (620739)

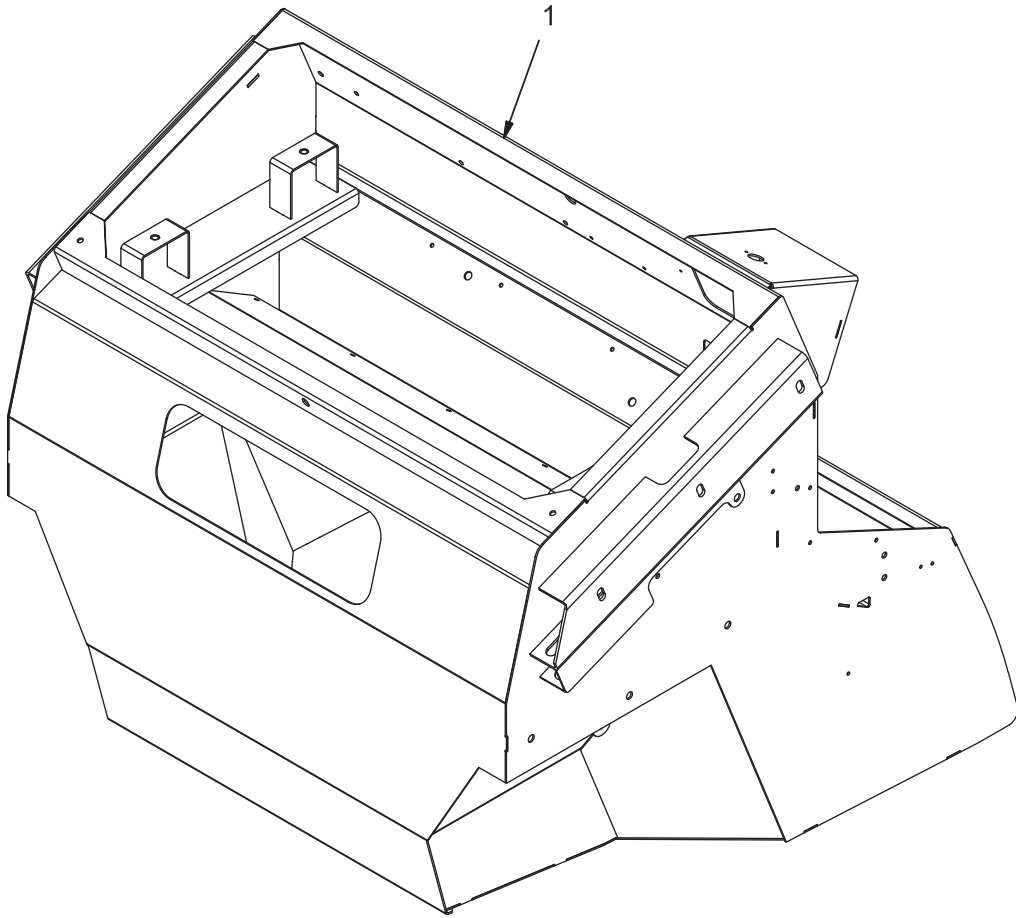


REV *

OPTION- ATLAS DUST SUPPRESSION, SINGLE (620739)

PARTS LIST - 620739			
ITEM	PART NUMBER	QTY	DESCRIPTION
1	173158	1	IN-LINE FILTER ASSEMBLY, 3/8 FNPT
2	260274	1	GROMMET Z-421
3	281041	2	VALVE-CHECK
4	450059	1	FITTING BRASS 1/4MPT 1/4MPT
5	450222	2	FTG-ELBOW 90 3/8 MPT X 1/4 HB NYLON
6	500123	1	FTG-ADAPTER 1/2 MPT X 1/4 HB BRASS
7	600183	1	GAUGE, 0-60 PSI
8	600940	4	WASHER-FENDER M8 X 24 ZP
9	620268	1	FTG-ELBOW 90 3/4 MPT X 1/4 HB NYLON
10	620277	1	ACCUMULTATOR
11	620278-1	1	SOLENOID ASSY, WATER, 1/4 FPT 12V 250PSI
12	620279	1	VALVE-PRES REGULATOR, 1/4 FPT 5-125PSI
13	620280	1	VALVE-CONTROL TEE, 1/4 MPT
14	620735	1	PLATE, MOUNT, NOZZLE, LONG
15	620736	1	PLATE, MOUNT, NOZZLE, SHORT
16	620738	1	FTG-ADAPTER 1/2 MPT TO 1/4 MPT
17	710030	3	SCR-PHMS 10-32 X 1-3/8 SS
18	711228	4	SCR-HH 5/16-18 X .75 ZP GR 5
19	711350	4	NUT-NYLOC 10-32 ZP
20	711380	2	NUT-NYLOC 3/8-16 ZP
21	711425	2	NUT-FLANGED WIZZ 1/4-20 ZP
22	711503	4	WASHER-FLAT #10 X .50 ZP
23	718357	1	SWITCH, CONTURA LEFT, ON/ON
24	731146	2	CLAMP - WIRE & TUBE .875/.406 DIA STEEL
25	770137	2	MAGNET, 1.26" OD X .315 THK, 75LB
26	828488	24FT	HOSE-1/4 X .5 275 PSI NYLO
27	829106	1	FTG-ADAPTER 1/4 MPT X 1/4 HB BRASS
28	829129	2	CLAMP - SCREW .313" to .875" DIA 301SS
29	830708	2	FTG-REDUCER 3/8 MPT X 1/4 FPT BRASS
30	831306	2	FTG-ELBOW 90 ST 1/4 MPT X 1/4 FPT BRASS
31	831327	3	FTG-ADAPTER 1/4 FPT X 1/4 HB BRASS
32	833140	2	CONNECTOR-BODY INLET
33	833141	2	CAP
34	833142	2	GASKET-CAP
35	3302338	11	CLAMP - SCREW .25" to .625" DIA 301SS
36	3331278-1	1	PUMP ASSY-SOLUTION 1.6GPM 60 PSI 12V
37	3337964	1	WATER TANK - 7 GAL W/3/4" FTG
38	3338435	1	WDT - COMPRESSOR MNT
39	3339519	2	NOZZLE, SPRAY TIP TPU00050
40	3400044	1	SCR-HH 10-32 X .75 ZP SERR FLANGE
41	3400087	4	WASHER-FLAT 3/8 ZP
42	3401683	1	FTG-TEE 1/4 HB X 1/4 HB X 1/4 HB PP
43	3402010	2	SCR-HEX 3/8-16 X 1.25 SS
44	620734	1	HARNESS ASSY, DUST SUPPRESSION
45	740099-B	5	CABLE TIE-SMALL (BLACK)
46	828062-B	15	CABLE TIE-LARGE (BLACK)

OPTION - STANDARD HOPPER WITH RHINO LINING GROUP (600703)

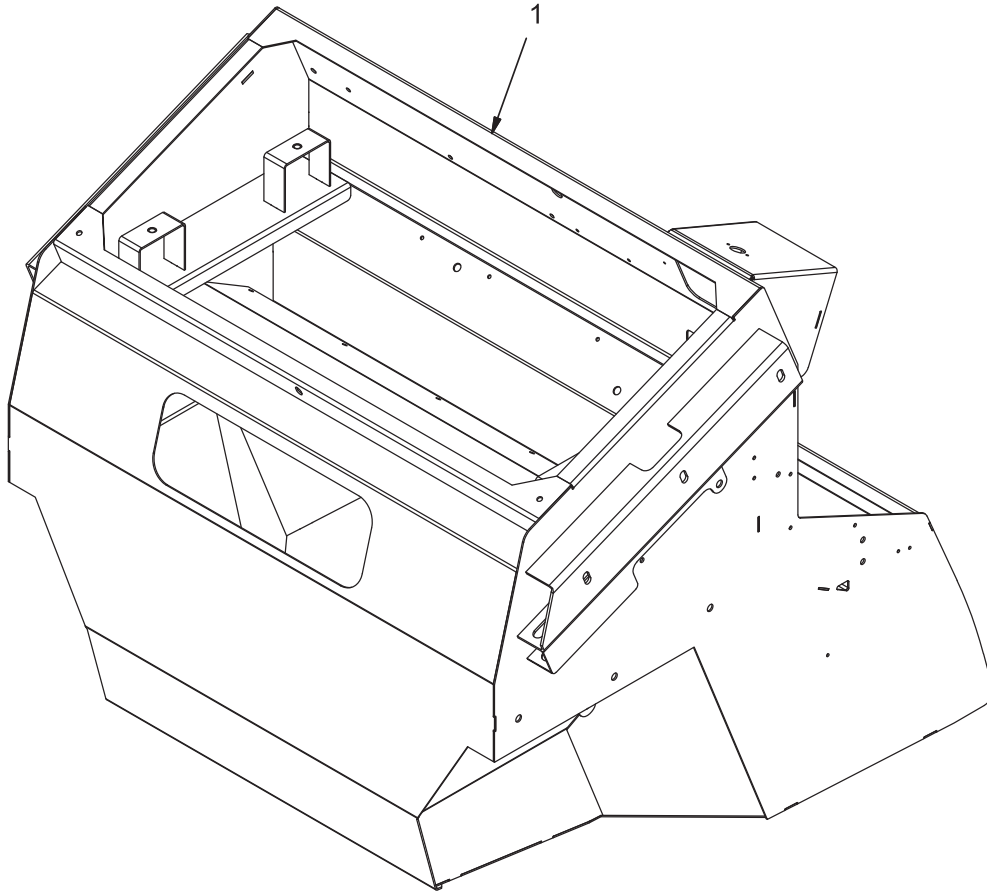


REV A

OPTION - STANDARD HOPPER WITH RHINO LINING GROUP (600703)

Parts List			
ITEM	PART NUMBER	QTY	DESCRIPTION
1	600703-LIN	1	HOPPER/DUMP DOOR, RHINO LINED

OPTION - DUAL SIDE BROOM HOPPER WITH RHINO LINING GROUP (600704)



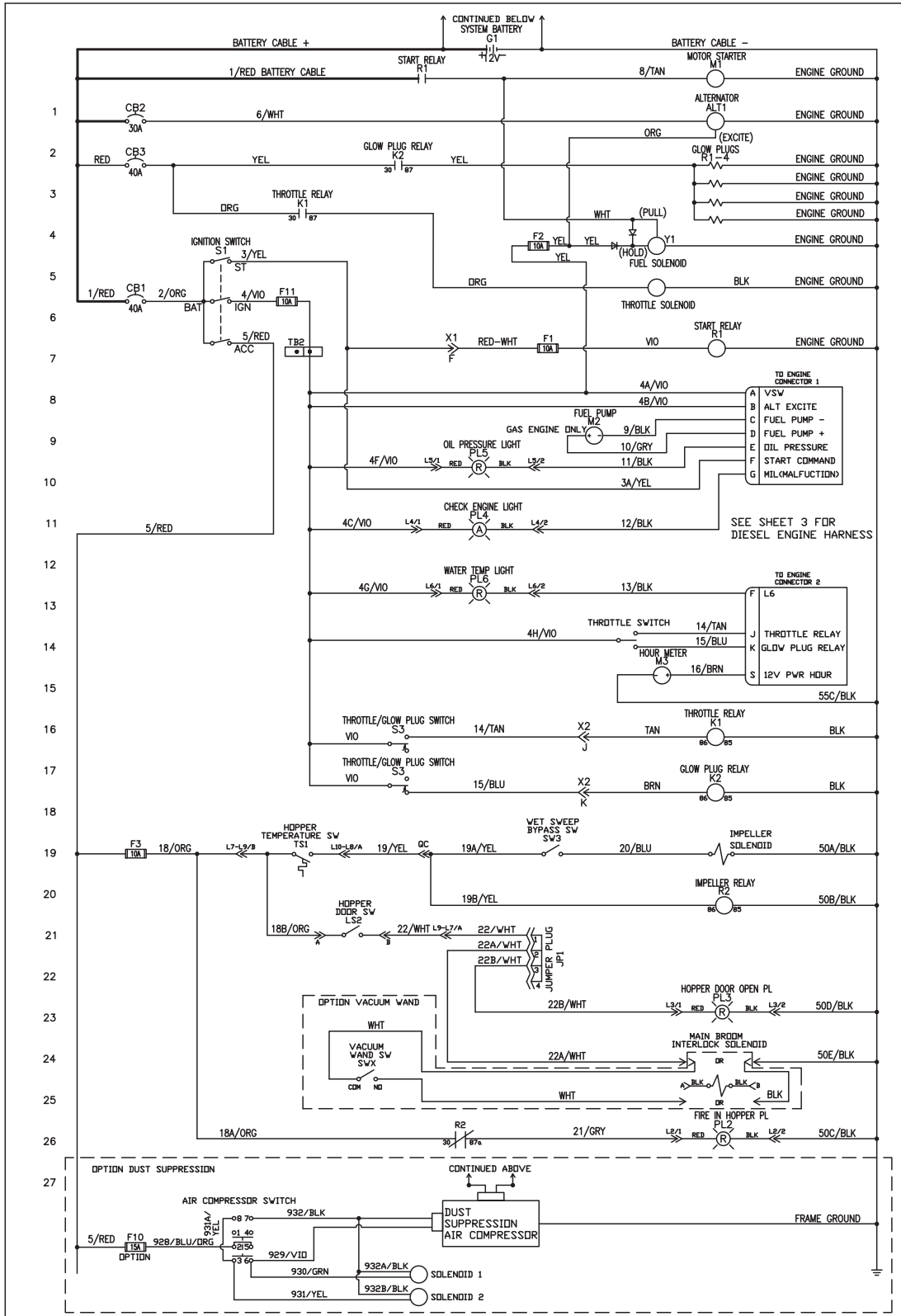
REV A

OPTION - DUAL SIDE BROOM HOPPER WITH RHINO LINING GROUP (600704)

Parts List			
ITEM	PART NUMBER	QTY	DESCRIPTION
1	600704-LIN	1	HOPPER/DUMP DOOR, RHINO LINED, DSB

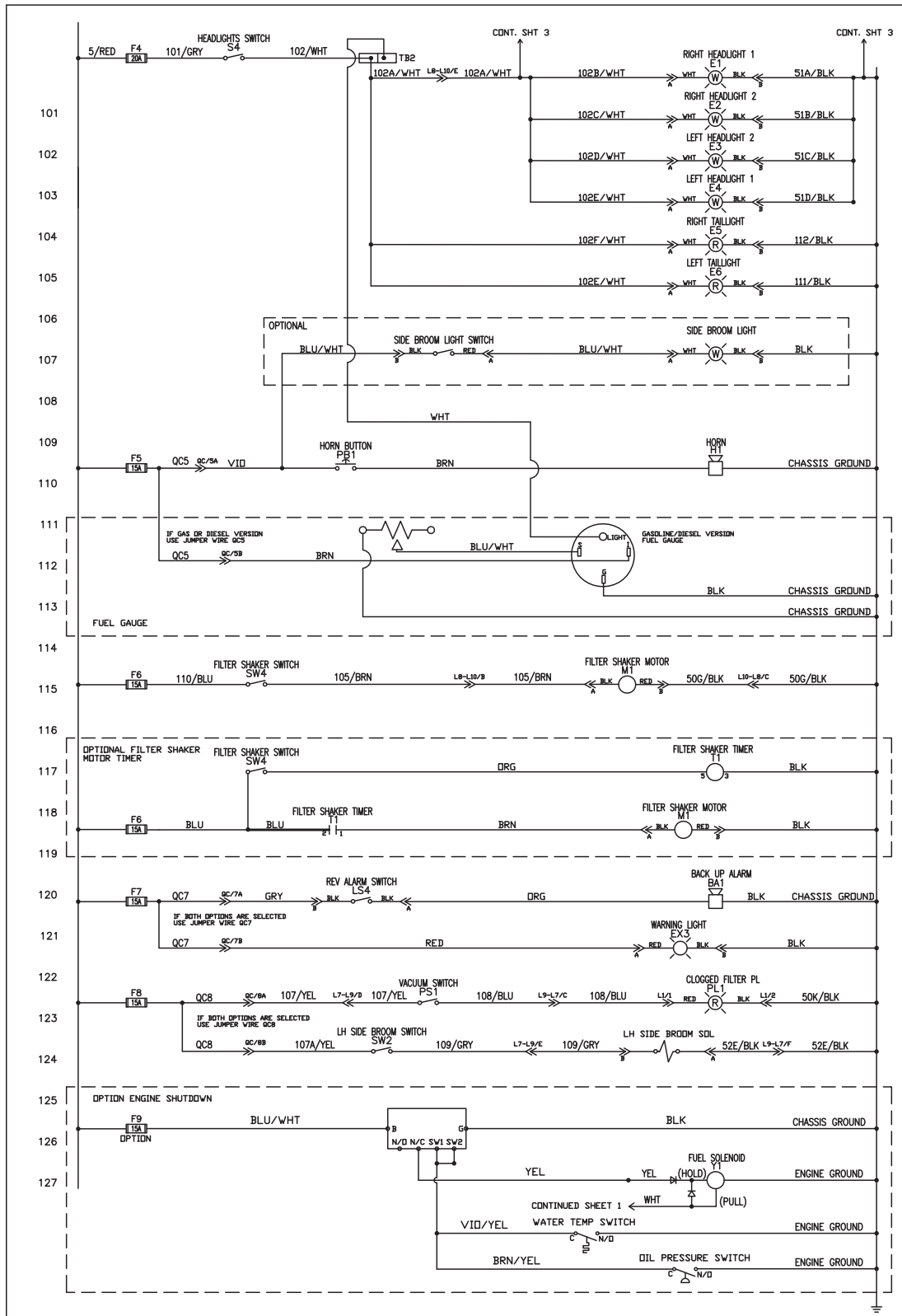
LAYOUTS - ELECTRICAL/HYDRAULIC

ATLAS ELECTRICAL SCHEMATIC LAYOUT - DIESEL



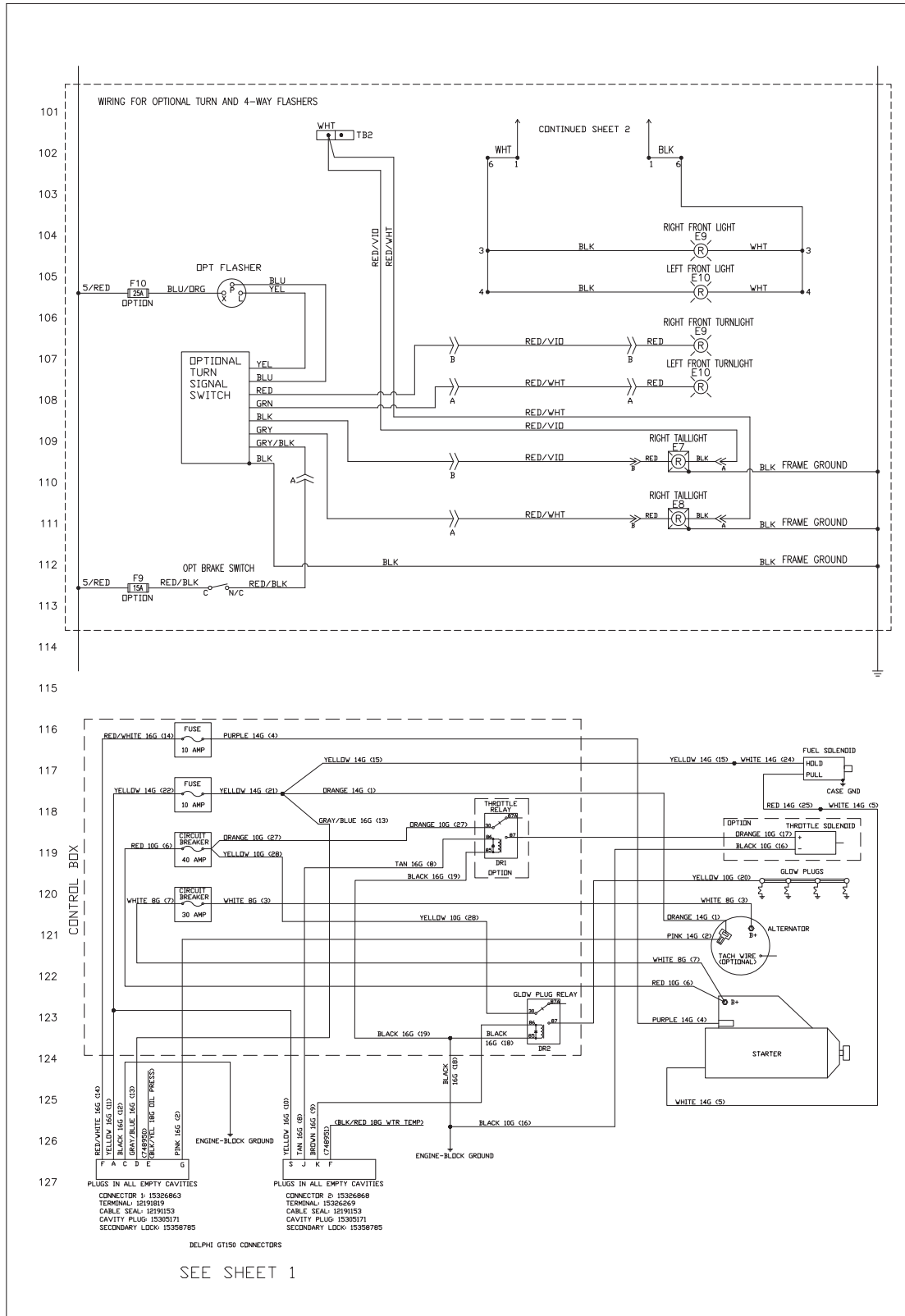
3397503 P1, REV B
11/11/2016

ATLAS ELECTRICAL SCHEMATIC LAYOUT - DIESEL



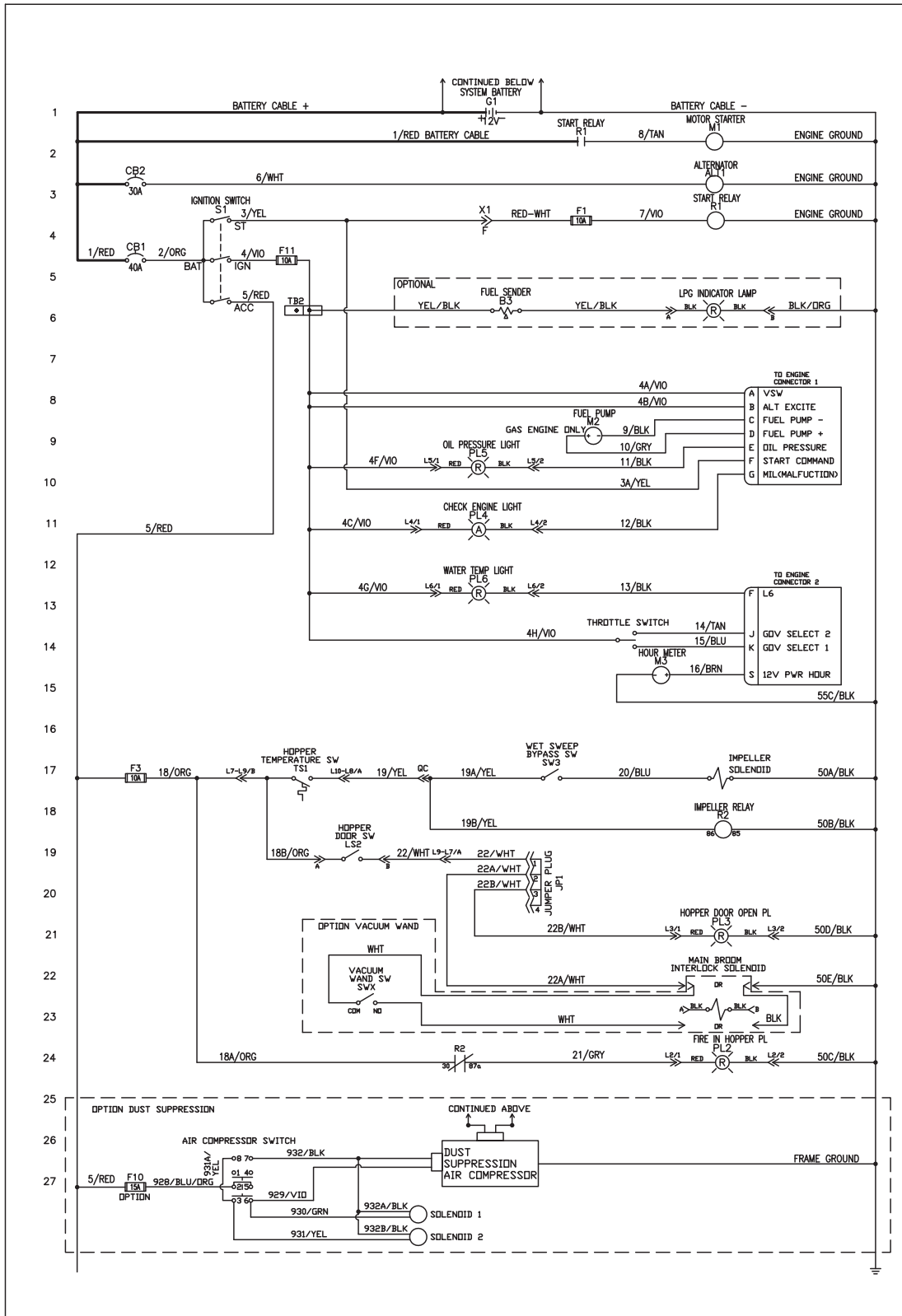
3397503 P2, REV B
11/11/2016

ATLAS ELECTRICAL SCHEMATIC LAYOUT - DIESEL



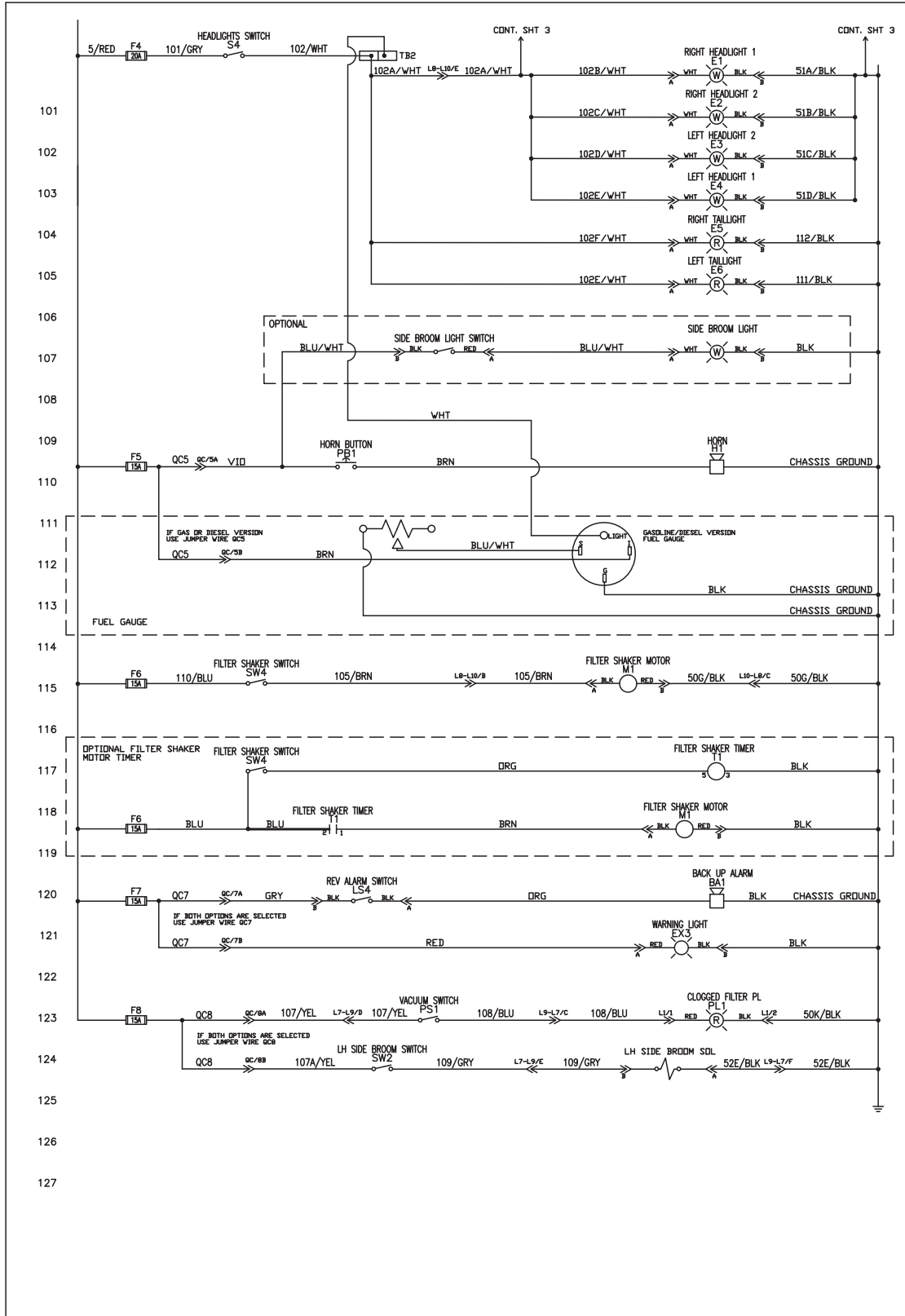
3397503 P3, REV B
 11/11/2016

ATLAS ELECTRICAL SCHEMATIC LAYOUT - GAS & LPG



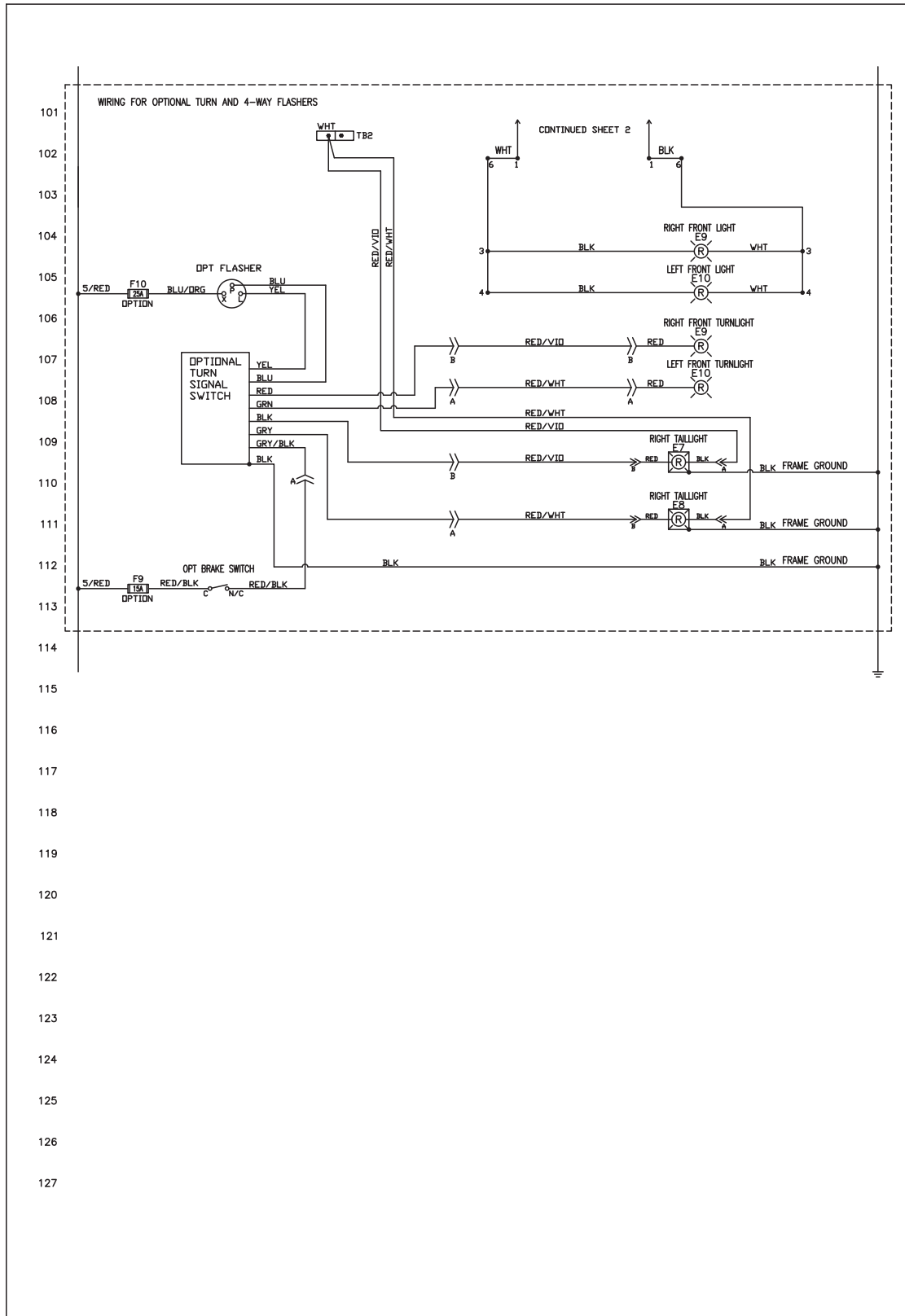
3397500 P1, REV B
11/11/2016

ATLAS ELECTRICAL SCHEMATIC LAYOUT - GAS & LPG



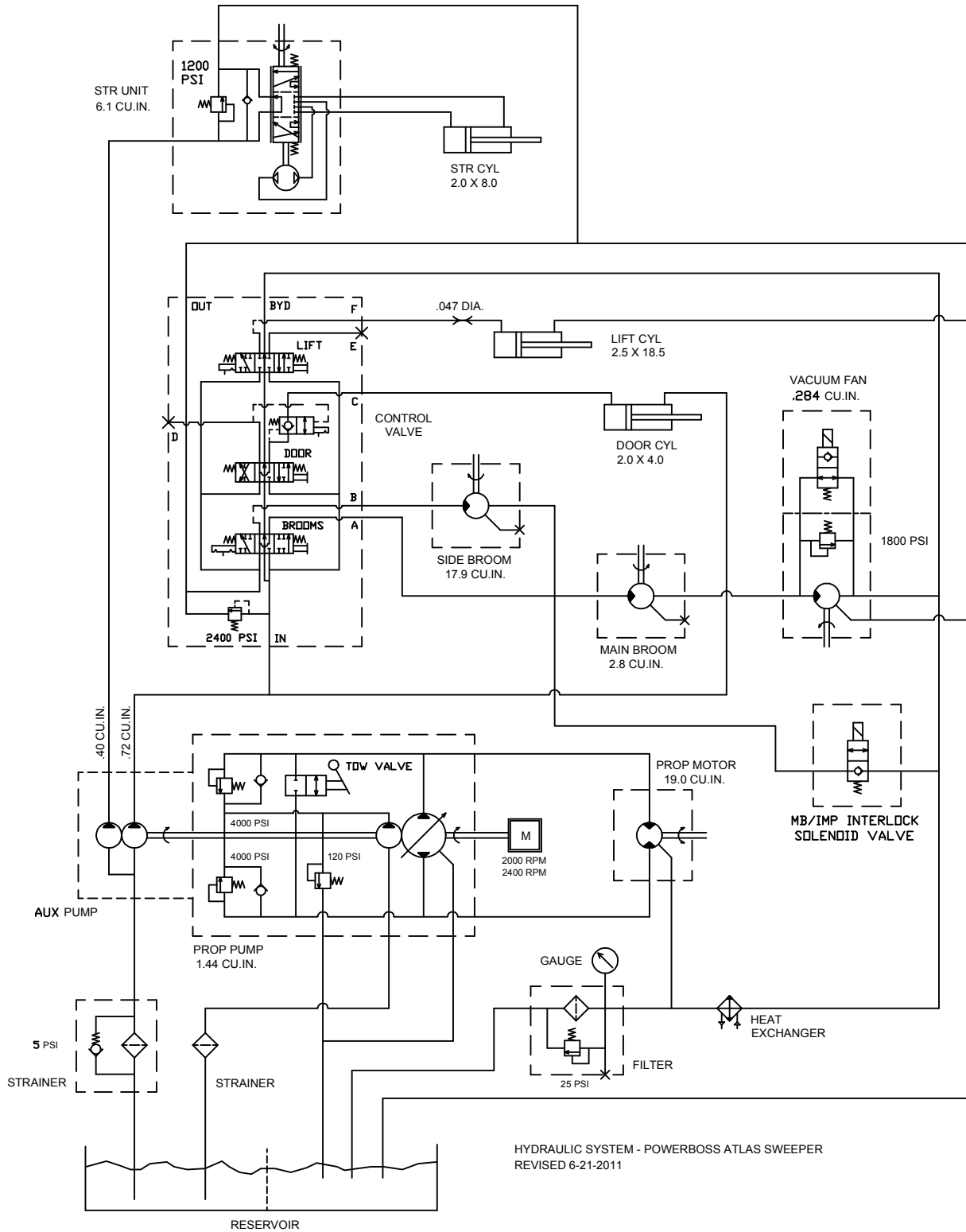
3397500 P2, REV B
11/11/2016

ATLAS ELECTRICAL SCHEMATIC LAYOUT - GAS & LPG



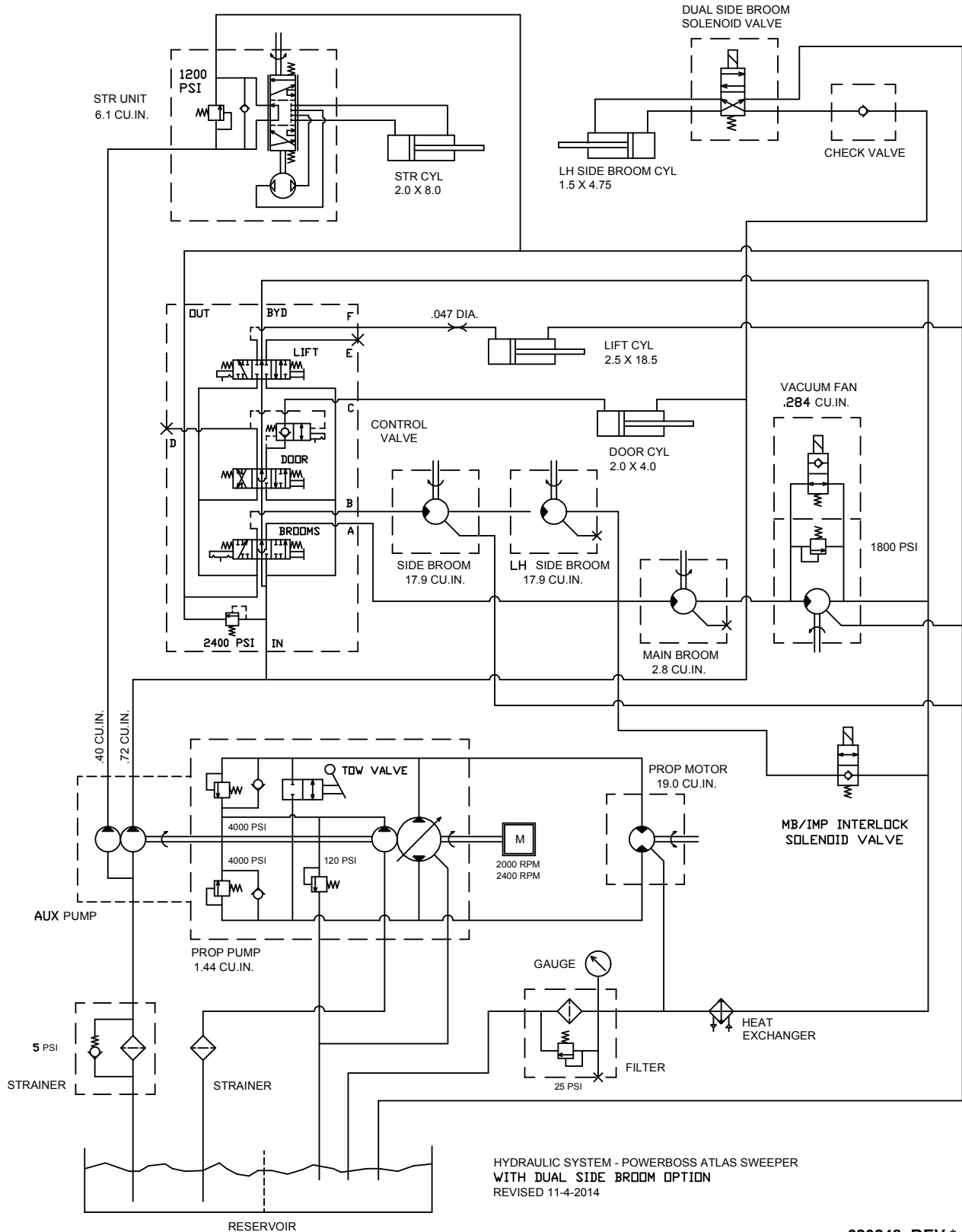
3397500 P3, REV B
11/11/2016

ATLAS HYDRAULIC SYSTEM LAYOUT



620247, REV *
06-21-2011

ATLAS HYDRAULIC SYSTEM LAYOUT WITH DUAL SIDE BROOM



620248, REV *
11-04-2011

PowerBoss[®]
The Power of Clean

“The Power of Clean”

**PowerBoss® is a Full Line Manufacturer of Sweepers and Scrubbers,
for Industrial Facilities.**

PowerBoss®, Minuteman International, Inc. 14N845 U.S. Route 20 Pingree Grove, Illinois 60140
Phone: 800-323-9420 www.PowerBoss.com Email: tech@powerboss.com
A Member of the Hako Group

Atlas Sweeper #4100053 Rev. D 03/20

PowerBoss® Copyright 2011-2015